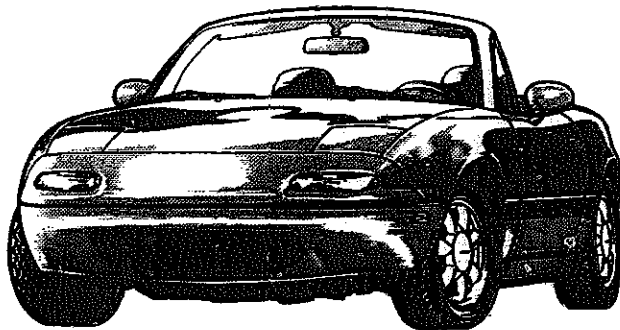


Parts Catalog

Mazda MX-5 MIATA
U.S.A.
'93



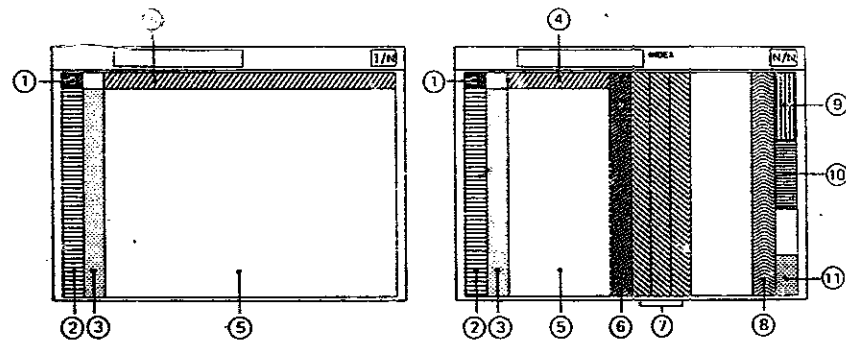
NA351-40001-50000

Oct. '94 (FINAL)
Catalog No. AU-NA03-04

Mazda
© 1994 Mazda Motor Corporation

LAYOUT OF CONTENTS / DISPOSITION TYPOGRAPHIQUE DE CONTENU / DISPOSICION DEL CONTENIDO / ANORDNUNG DES INHALTS

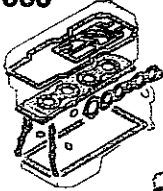
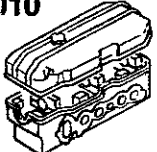
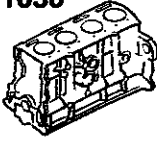
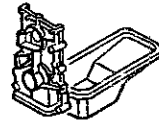

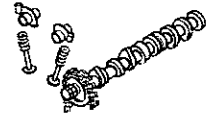
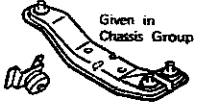
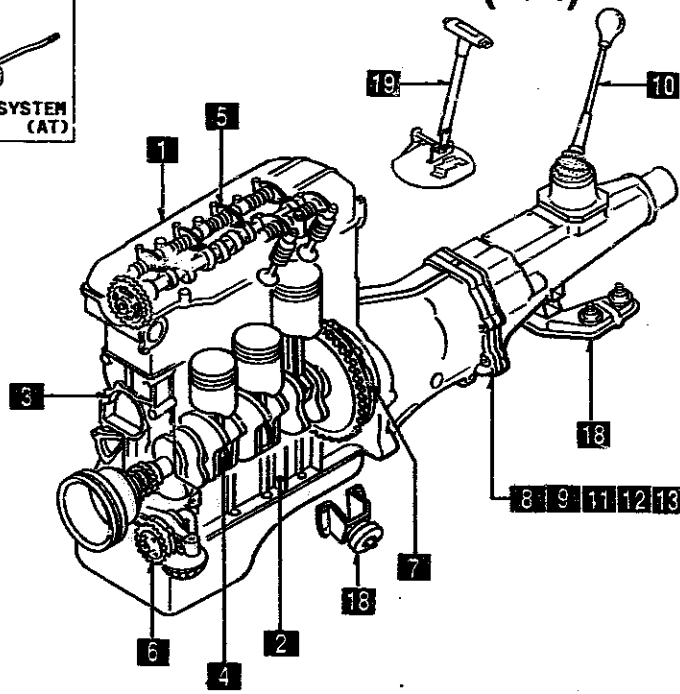
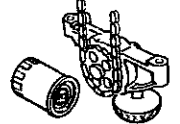

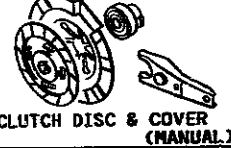

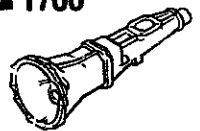
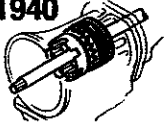
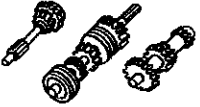
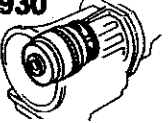

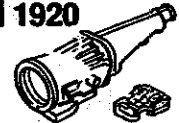

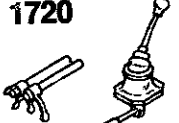
- The following is a typical example of the layout of contents on Mazda microfiche parts catalog.
- Voici un exemple typique de la disposition typographique de contenu dans les microfiches de catalogue des pièces de Mazda.
- El siguiente es un ejemplo típico de la disposición del contenido en una microficha del catálogo de repuestos de Mazda.
- Folgendes ist ein typisches Beispiel der Inhaltsanordnung des Mazda-Mikrofiche-Teilekatalogs.



Remark : The items listed under ④ have been deleted from each fiche since Dec. '93



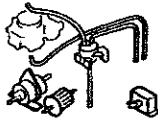

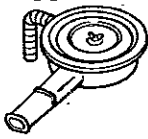
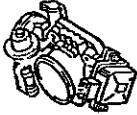
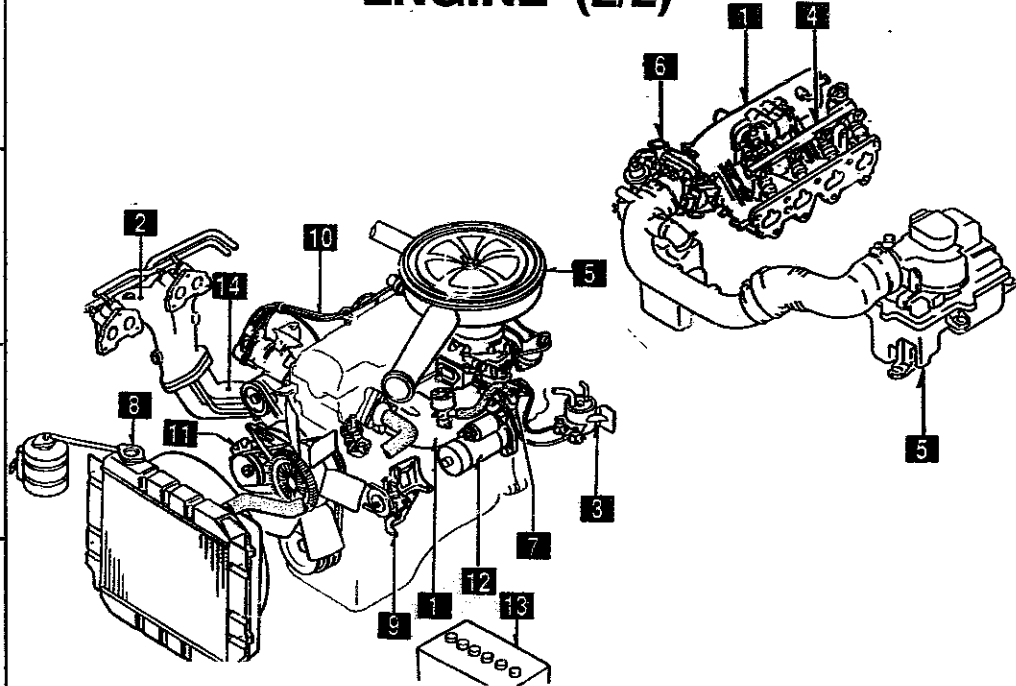
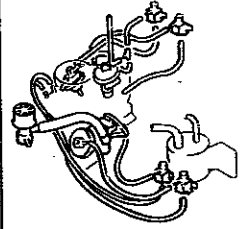
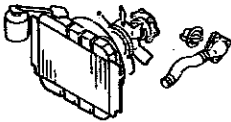

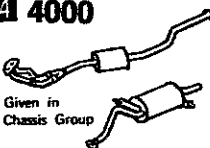
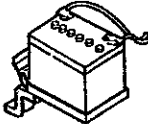
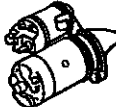
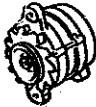
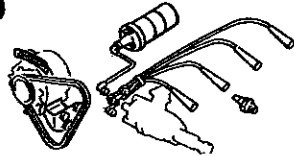
- | | | |
|--|---|--|
| ① - Layout of contents
- Disposition Typographique de Contenu
- Disposición del contenido
- Anordnung des Inhalts | ② - Pictorial Index
- Index par Schémas
- Índice Gráfico
- Illustrierter Index | ③ - Master Section No. Index
- Index des Numéros des Sections Totale
- Índice del Número de la Sección Maestra
- Hauptabschnittsnummer-Index |
| ④ - Section No. Index for the Column
- Index des Numéros des Sections pour les Colonnes
- N° de la Sección para el Índice
- Abschnittsnummer-Index für die Spalte | ⑤ - Illustration & Text
- Illustrations et Textes
- Ilustración y Texto
- Abbildung und Text | ⑥ - Part No. Index
- Index des Numéros des Pièces
- Índice del N° de Pieza
- Teile-Nr.-Index |
| ⑦ - Alphabetical Index
- Index Alphabétique
- Índice Alfabético
- Alphabetischer Index | ⑧ - Model Identification
- Identification des Modèles
- Identificación del Modelo
- Modell-Kennzeichnung | ⑨ - Vehicle Identification System
- Système d'Identification de Véhicule
- Sistema de Identificación de Vehículo
- Fahrzeug-Identifikationssystem |

PICTORIAL INDEX

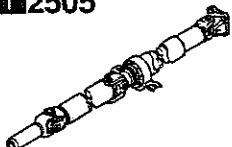
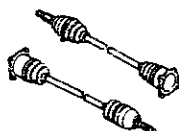






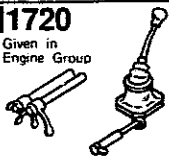
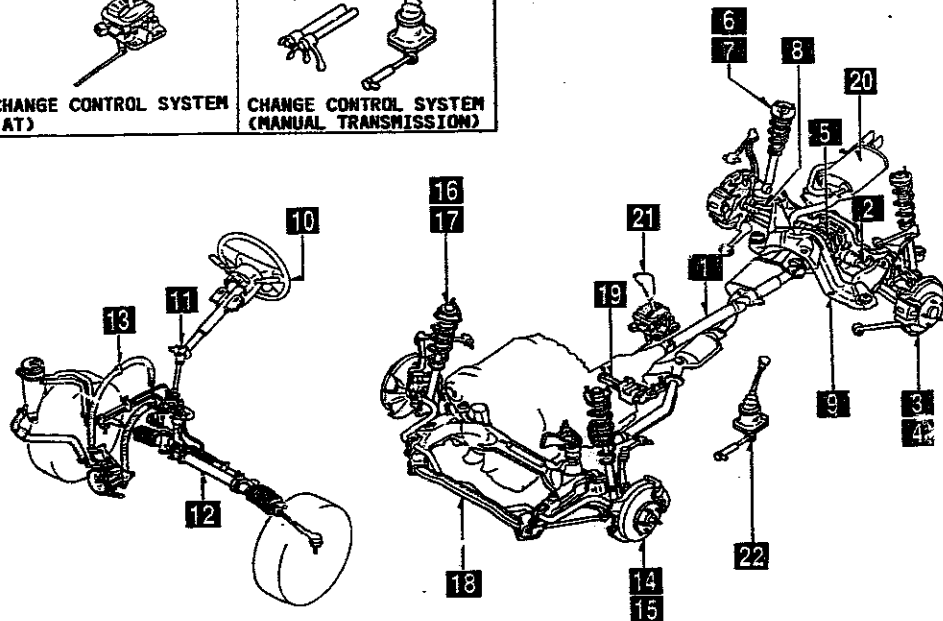

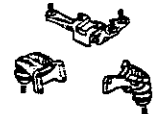

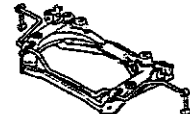

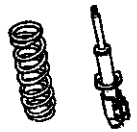




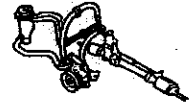


<p>1000</p>  <p>1010</p>  <p>CYLINDER HEAD & COVER</p>	<p>2 1030</p>  <p>CYLINDER BLOCK</p>	<p>3 1040</p>  <p>OIL PAN & TIMING COVER</p>	<p>4 1100</p>  <p>PISTON, CRANKSHAFT & FLYWHEEL</p>	<p>5 1200</p>  <p>VALVE SYSTEM</p>
<p>18 3900</p>  <p>ENGINE & TRANSMISSION MOUNTINGS</p>	<p>ENGINE (1/2)</p> 			<p>6 1400</p>  <p>OIL PUMP & FILTER</p>
<p>17 1960</p>  <p>GASKET & SEAL KIT (AUTOMATIC)</p>	<p>ENGINE (1/2)</p>			<p>7 1600</p>  <p>CLUTCH DISC & COVER (MANUAL)</p>
<p>16 1950</p>  <p>MANUAL LINKAGE SYSTEM (AUTOMATIC)</p>	<p>ENGINE (1/2)</p>			<p>8 1700</p>  <p>TRANSMISSION CASE (MANUAL)</p>
<p>15 1940</p>  <p>GOVERNOR, LOW & REVERSE PISTON (AUTOMATIC)</p>	<p>ENGINE (1/2)</p>			<p>9 1710</p>  <p>TRANSMISSION GEARS (MANUAL)</p>
<p>14 1930</p>  <p>CLUTCHES & PLANETARY GEARS (AUTOMATIC)</p>	<p>13 1925</p>  <p>CONTROL VALVE (AUTOMATIC)</p>	<p>12 1920</p>  <p>TRANSMISSION CASE & RAIN CONTROL SYSTEM (AUTOMATIC)</p>	<p>11 1910</p>  <p>TORQUE CONVERTER, OIL PUMP & PIPINGS (AUTOMATIC)</p>	<p>10 1720</p>  <p>CHANGE CONTROL SYSTEM (MANUAL)</p>

As this illustration is prepared to be applicable to all models, some parts are different in specifications from the parts listed in this parts Catalog.

PICTORIAL INDEX



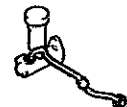

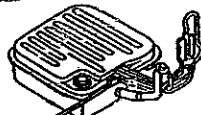
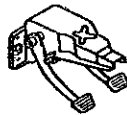
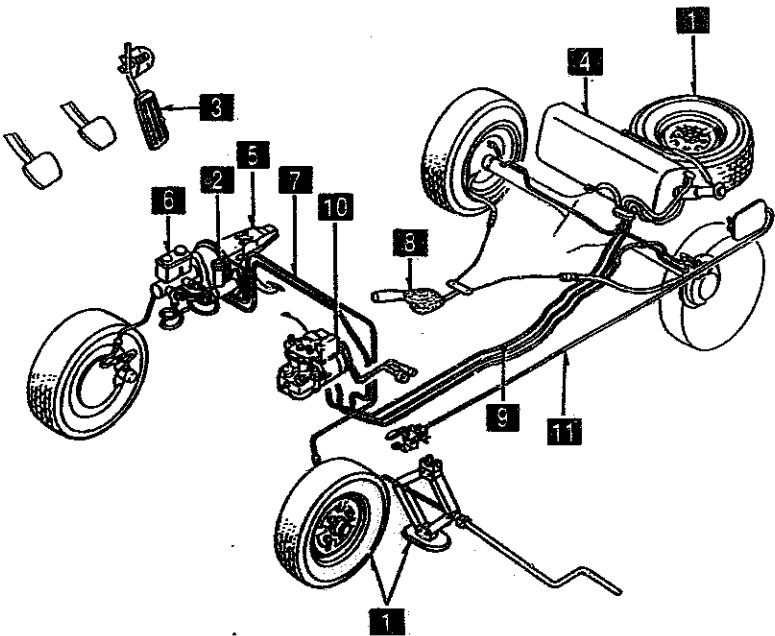

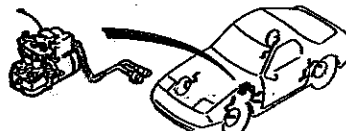
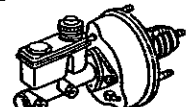



1 1300  INLET MANIFOLD	2 1310  EXHAUST MANIFOLD	3 1320  FUEL SYSTEM	4 1325  FUEL DISTRIBUTOR	5 1330  AIR CLEANER	6 1364  THROTTLE BODY
<h3 style="margin: 0;">ENGINE (2/2)</h3> 					
<small style="font-size: 8px;">As this illustration is prepared to be applicable to all models, some parts are different in specifications from the parts listed in this parts Catalog.</small>					
7 1370  EMISSION CONTROL SYSTEM (INLET SIDE)					
8 1500  COOLING SYSTEM					
9 1580  BRACKET, PULLEY & BELT					
14 4000  <small style="font-size: 8px;">Given in Chassis Group</small> EXHAUST SYSTEM	13 1850  BATTERY	12 1840  STARTER	11 1830  ALTERNATOR	10 1800  ENGINE ELECTRICAL SYSTEM	

PICTORIAL INDEX



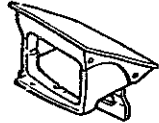
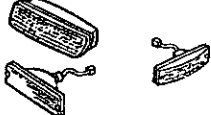
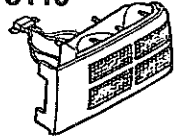
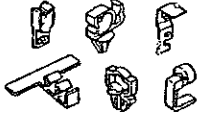
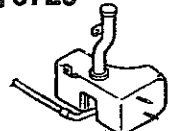
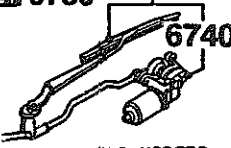
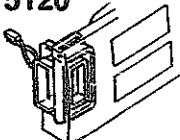

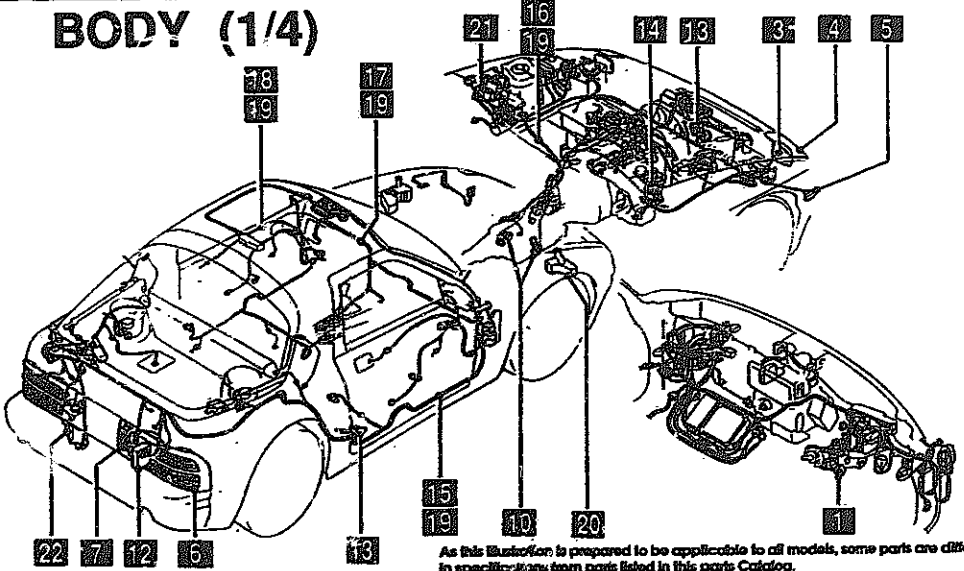
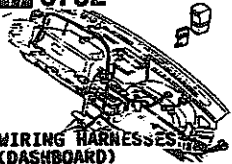

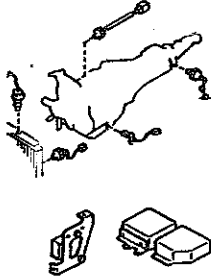

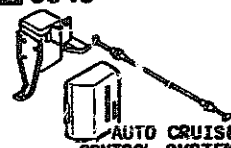
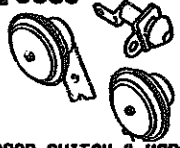

<p>1 2505</p>  <p>REAR PROPELLER SHAFT</p>	<p>2 2550</p>  <p>REAR DRIVE SHAFT</p>	<p>3 2600</p>  <p>REAR AXLE</p>	<p>4 2510</p>  <p>REAR BRAKE MECHANISMS</p>	<p>5 2710</p>  <p>REAR DIFFERENTIALS</p>	<p>6 2800</p>  <p>REAR SUSPENSION MECHANISMS</p>
<p>20 4000</p>  <p>EXHAUST SYSTEM</p>	<p>21 4600</p>  <p>CHANGE CONTROL SYSTEM (AT)</p>	<p>22 1720 Given in Engine Group</p>  <p>CHANGE CONTROL SYSTEM (MANUAL TRANSMISSION)</p>	<p>CHASSIS (1/2)</p> 		<p>7 2801</p>  <p>REAR SPRING & DAMPER</p>
<p>19 3900</p>  <p>ENGINE & T/MISSION MOUNTINGS</p>				<p>8 2810</p>  <p>REAR STABILIZER</p>	
<p>18 3410</p>  <p>CROSSMEMBER & STABILIZER</p>				<p>9 2830</p>  <p>REAR LOWER ARMS & SUB FRAME</p>	
<p>17 3401</p>  <p>FRONT SPRING & DAMPER</p>				<p>10 3200</p>  <p>STEERING WHEEL</p>	
<p>16 3400</p>  <p>FRONT SUSPENSION MECHANISMS</p>	<p>15 3310</p>  <p>FRONT BRAKE MECHANISMS</p>	<p>14 3300</p>  <p>FRONT AXLE</p>	<p>13 3240</p>  <p>POWER STEERING SYSTEM (FRONT)</p>	<p>12 3220</p>  <p>STEERING GEAR</p>	<p>11 3210</p>  <p>STEERING COLUMN & SHAFTS</p>

* As this illustration is prepared to be applicable to all models, some parts are different in specifications from parts listed in this parts Catalog.





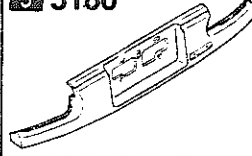
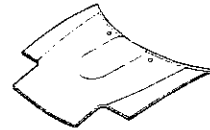
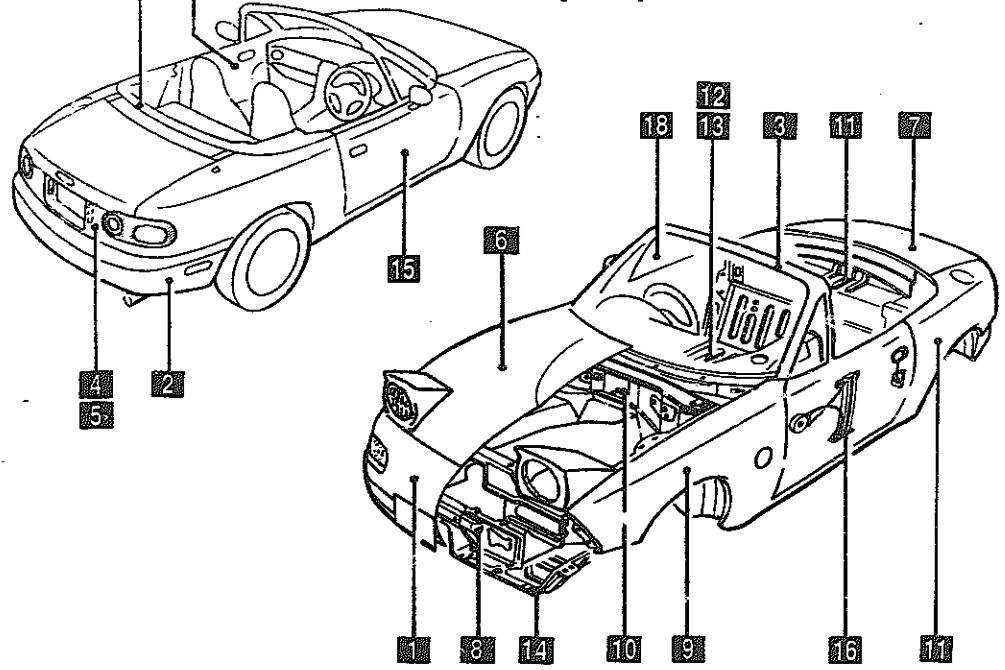

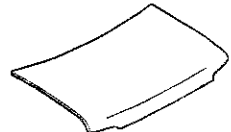

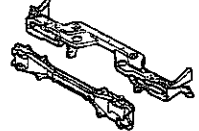
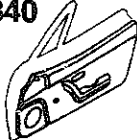
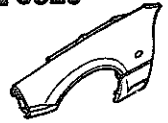
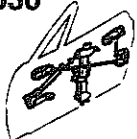
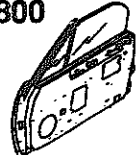
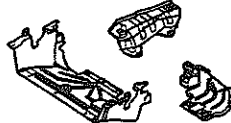
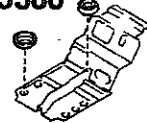
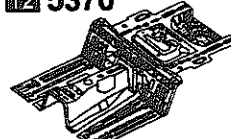
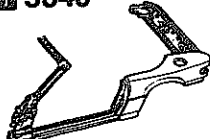
PICTORIAL INDEX

1 3700  TIRES & JACK	2 4140  CLUTCH RELEASE & MASTER CYLINDERS (MANUAL TRANSMISSION)	4145  CLUTCH PIPINGS (MANUAL TRANSMISSION)	3 4160  ACCELERATOR CONTROL SYSTEM	4 4200  FUEL TANK	5 4300  CLUTCH & BRAKE PEDALS
<h3 style="margin: 0;">CHASSIS (2/2)</h3> 					
As this illustration is prepared to be applicable to all models, some parts are different in specifications from parts listed in this parts Catalog.					
			11 4210  FUEL LID OPENER	10 4370  ANTILOCK BRAKE SYSTEM	6 4340  BRAKE MASTER CYLINDER & POWER BRAKE
					7 4360  BRAKE PIPINGS
					8 4400  PARKING BRAKE SYSTEM
					9 4500  FUEL PIPINGS

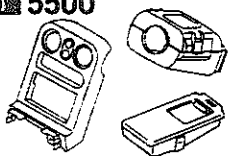
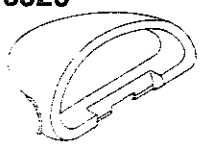
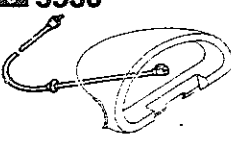
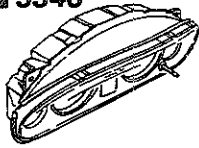
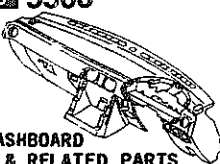
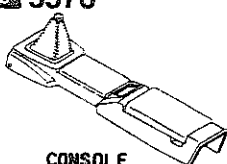
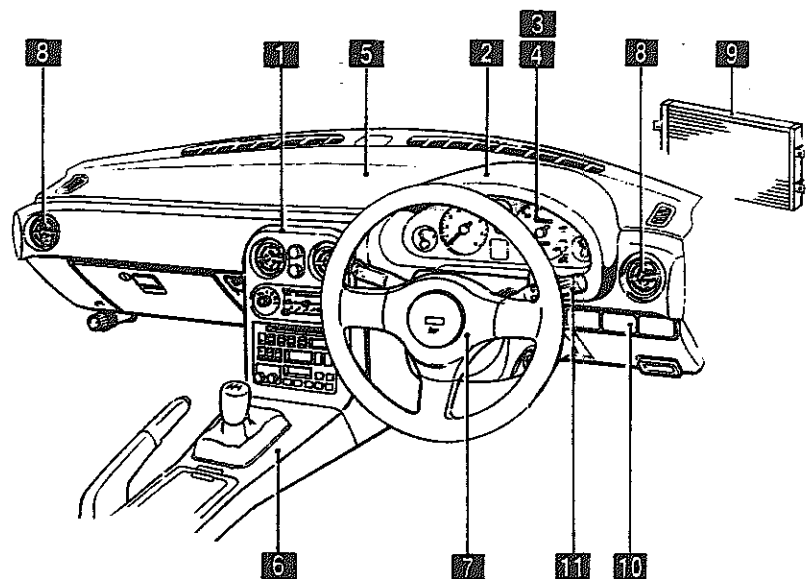
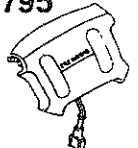
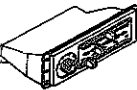
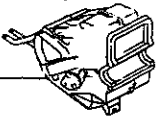


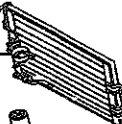


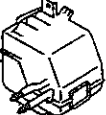
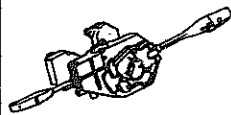
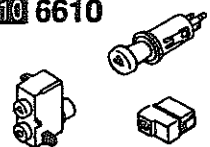
PICTORIAL INDEX

<p>1 0900</p>  <p style="text-align: center;">KEY SETS</p>	<p>2</p>	<p>3 5160</p>  <p style="text-align: center;">HEAD LAMPS</p>	<p>4 5103</p>  <p style="text-align: center;">HEAD LAMP RETRACTORS</p>	<p>5 5105</p>  <p style="text-align: center;">FRONT COMBINATION LAMPS</p>	<p>6 5110</p>  <p style="text-align: center;">REAR COMBINATION LAMPS</p>
<p>19 6704</p>  <p style="text-align: center;">WIRING HARNESS CLAMPS</p>	<p>20 6720</p>  <p style="text-align: center;">WINDSHIELD WASHER</p>	<p>21 6730</p>  <p style="text-align: center;">WINDSHIELD WIPERS</p>			<p>7 5120</p>  <p style="text-align: center;">LICENSE LAMPS</p>
<p>13 6703</p>  <p style="text-align: center;">WIRING HARNESSES (DOOR, FLOOR/CEILING)</p>	<p>BODY (1/4)</p>  <p style="text-align: center; font-size: small;">As this illustration is prepared to be applicable to all models, some parts are different in specifications from parts listed in this parts Catalog.</p>				<p>8</p>
<p>17 6702</p>  <p style="text-align: center;">WIRING HARNESSES (DASHBOARD)</p>					<p>9</p>
<p>18 6701</p>  <p style="text-align: center;">WIRING HARNESSES (ENGINE & TRANSMISSION)</p>					<p>10 6600</p>  <p style="text-align: center;">SWITCHES & RELAYS (ENGINE)</p>
<p>15 6700</p>  <p style="text-align: center;">WIRING HARNESSES (FRONT & REAR)</p>	<p>14 6640</p>  <p style="text-align: center;">AUTO CRUISE CONTROL SYSTEM</p>	<p>16 6635</p>  <p style="text-align: center;">DOOR SWITCH & HORNS</p>	<p>12 6630</p>  <p style="text-align: center;">RELAYS & UNIT (BODY)</p>	<p>11</p>	

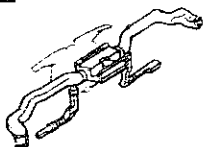


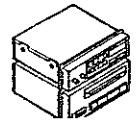
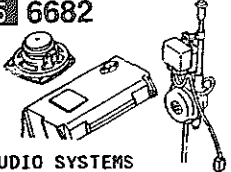
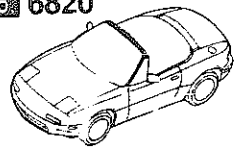
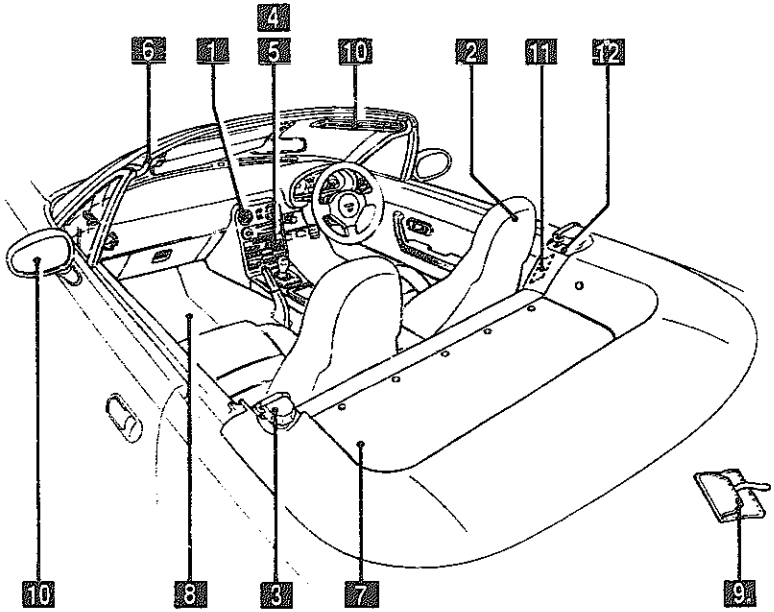
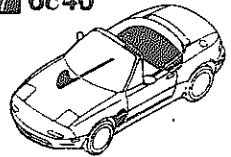
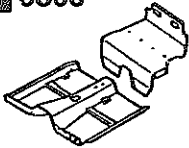

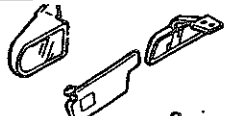


PICTORIAL INDEX

1 5000  FRONT BUMPER	2 5010  REAR BUMPER	3 5030  WINDOW MOULDING & COWL GRILLES	4 5170  ORNAMENTS	5 5180  REAR FINISHER	6 5230  BONNET
<h3 style="margin: 0;">BODY (2/4)</h3> 					
19 6330  SUNROOF					7 5260  TRUNK LID
18 6300  WINDOW GLASSES					8 5310  BODY PANELS (FRONT)
17 5840  FRONT DOOR TRIMS & RELATED PARTS					9 5320  BODY PANELS (FENDER & WHEEL APRON)
16 5830  FRONT DOOR MECHANISMS	15 5800  FRONT DOORS	14 5390  FLOOR ATTACHMENTS	13 5380  FLOOR ATTACHMENTS (HOLE COVERS)	12 5370  BODY PANELS (FLOOR)	11 5340  BODY PANELS (SIDE)

PICTORIAL INDEX

<p>1 5500</p>  <p>DASHBOARD EQUIPMENTS</p>	<p>2 5520</p>  <p>METER HOOD</p>	<p>3 5530</p>  <p>SPEEDOMETER CABLE</p>	<p>4 5540</p>  <p>METER COMPONENTS</p>	<p>5 5560</p>  <p>DASHBOARD & RELATED PARTS</p>	<p>6 5570</p>  <p>CONSOLE</p>
<h3 style="margin: 0;">BODY (3/4)</h3> 					
<p>7 5795</p>  <p>AIR BAG</p>					
<p>8</p> <p>6115 </p> <p>6110 </p> <p>6100 </p> <p>6120 </p> <p>HEATER</p>					
<p>9</p> <p>6130 </p> <p>6135 </p> <p>6140 </p> <p>6150 </p> <p>AIR CONDITIONER</p>					
<p>11 6611</p>  <p>COMBINATION SWITCH</p>					
<p>10 6610</p>  <p>DASHBOARD SWITCHES</p>					

PICTORIAL INDEX

1 5580  VENTILATOR	2 5700  SEATS	3 5790  SEAT BELTS	4 6680  AUDIO SYSTEMS (RADIO & TAPE DECK)	5 6682  AUDIO SYSTEMS (ANTENNA & SPEAKER)	6 6820  FRONT HEADER TRIM & PILLAR TRIMS
<h3 style="margin: 0;">BODY (4/4)</h3> 					
As this illustration is prepared to be applicable to all models, some parts are different in specifications from parts listed in this parts Catalog.					
				7 6840  TRIMS & SCUFF PLATES	8 6860  FLOOR MATS & PADS
				9 6870  SERVICE TOOLS	10 6900  VISORS, ASSIST HANDLES & MIRRORS
			12 7250  QUARTER WINDOW & TRIMS	11 6930  CAUTION PLATES & LABELS	

SECTION NAME INDEX (ENGINE)

LO.NO	SEC.NO	SECTION NAME	LO.NO	SEC.NO	SECTION NAME	LO.NO	SEC.NO	SECTION NAME
1-C03	1000	ENGINE & GASKET SETS						
1-E03	1010	CYLINDER HEAD & COVER						
1-H03	1030	CYLINDER BLOCK						
1-J03	1040	OIL PAN & TIMING COVER						
1-L03	1100	PISTON, CRANKSHAFT & FLYWHEEL						
1-C04	1200	VALVE SYSTEM						
1-E04	1300	INLET MANIFOLD						
1-F04	1310	EXHAUST MANIFOLD						
1-G04	1320	FUEL SYSTEM						
1-I04	1325	FUEL DISTRIBUTOR						
1-J04	1330	AIR CLEANER						
1-L04	1364	THROTTLE BODY						
1-M04	1370	EMISSION CONTROL SYSTEM (INLET SIDE)						
1-N04	1400	OIL PUMP & FILTER						
1-D05	1500	COOLING SYSTEM						
1-G05	1580	BRACKET, PULLEY & BELT						
1-C06	1600	CLUTCH DISC & COVER (MANUAL)						
1-D06	1700	TRANSMISSION CASE (MANUAL)						
1-F06	1710	TRANSMISSION GEARS (MANUAL)						
1-K06	1720	CHANGE CONTROL SYSTEM (MANUAL)						
1-N06	1800	ENGINE ELECTRICAL SYSTEM						
1-D07	1830	ALTERNATOR						
1-F07	1840	STARTER						
1-H07	1850	BATTERY						
1-I07	1910	TORQUE CONVERTER, OIL PUMP & PIPINGS (AUTOMATIC)						
1-L07	1920	TRANSMISSION CASE & MAIN CONTROL SYSTEM (AUTOMATIC)						
1-F08	1925	CONTROL VALVE (AUTOMATIC)						
1-J08	1930	CLUTCHES & PLANETARY GEARS (AUTOMATIC)						
1-E09	1940	GOVERNOR, LOW & REVERSE PISTON (AUTOMATIC)						
1-H09	1950	MANUAL LINKAGE SYSTEM (AUTOMATIC)						
1-J09	1960	GASKET & SEAL KIT (AUTOMATIC)						

SECTION NAME INDEX (CHASSIS)

LD.NO	SEC.NO	SECTION NAME	LD.NO	SEC.NO	SECTION NAME	LD.NO	SEC.NO	SECTION NAME
1-C11	2505	REAR PROPELLER SHAFT	1-E16	4300A	BRAKE PEDALS (AUTOMATIC TRANSMISSION)			
1-D11	2550	REAR DRIVE SHAFT	1-G16	4340	BRAKE MASTER CYLINDER & POWER BRAKE (W/O ANTI LOCK BRAKE SYSTEM)			
1-E11	2600	REAR AXLE	1-I16	4340 A	BRAKE MASTER CYLINDER & POWER BRAKE (ANTI LOCK BRAKE SYSTEM)			
1-F11	2610	REAR BRAKE MECHANISMS	1-K16	4360	BRAKE PIPINGS (W/O ANTI LOCK BRAKE SYSTEM)			
1-I11	2710	REAR DIFFERENTIALS (NORMAL DIFF.)	1-M16	4360 A	BRAKE PIPINGS (ANTI LOCK BRAKE SYSTEM)			
1-M11	2710 A	REAR DIFFERENTIALS (LIMITED SLIP DIFF.)	2-C03	4370	ANTILOCK BRAKE SYSTEM			
1-E12	2800	REAR SUSPENSION MECHANISMS	2-E03	4400	PARKING BRAKE SYSTEM			
1-F12	2801	REAR SPRING & DAMPER	2-G03	4500	FUEL PIPINGS			
1-G12	2810	REAR STABILIZER	2-I03	4600	CHANGE CONTROL SYSTEM (AT)			
1-H12	2830	REAR LOWER ARMS & SUB FRAME						
1-J12	3200	STEERING WHEEL						
1-K12	3210	STEERING COLUMN & SHAFTS						
1-L12	3220	STEERING GEAR (W/O POWER STEERING)						
1-N12	3220 A	STEERING GEAR (W/ POWER STEERING)						
1-E13	3240	POWER STEERING SYSTEM						
1-G13	3300	FRONT AXLE (W/O ANTI LOCK BRAKE SYSTEM)						
1-H13	3300 A	FRONT AXLE (ANTI LOCK BRAKE SYSTEM)						
1-I13	3310	FRONT BRAKE MECHANISMS						
1-K13	3400	FRONT SUSPENSION MECHANISMS						
1-M13	3401	FRONT SPRING & DAMPER						
1-N13	3410	CROSSMEMBER & STABILIZER						
1-C14	3700	TIRES & JACK						
1-C15	3900	ENGINE & TRANSMISSION MOUNTINGS						
1-D15	4000	EXHAUST SYSTEM						
1-F15	4140	CLUTCH RELEASE & MASTER CYLINDERS (MANUAL TRANSMISSION)						
1-G15	4145	CLUTCH PIPINGS (MANUAL TRANSMISSION)						
1-H15	4160	ACCELERATOR CONTROL SYSTEM						
1-I15	4200	FUEL TANK						
1-M15	4210	FUEL LID OPENER						
1-N15	4300	CLUTCH & BRAKE PEDALS (MANUAL TRANSMISSION)						

SECTION NAME INDEX (BODY)

LO.NO	SEC.NO	SECTION NAME	LO.NO	SEC.NO	SECTION NAME	LO.NO	SEC.NO	SECTION NAME
2-C05	0900	KEY SETS	2-D13	6110	HEATER UNIT COMPONENTS	3-M04	7250	QUARTER WINDOW & TRIMS
2-E05	5000	FRONT BUMPER	2-E13	6115	HEATER CONTROLS COMPONENTS			
2-H05	5010	REAR BUMPER	2-G13	6120	HEATER BLOWER COMPONENTS			
2-J05	5030	WINDOW MOULDING & COWL GRILLES	2-H13	6130	AIR CONDITIONER			
2-K05	5100	HEAD LAMPS	2-M13	6135	O RING SET, PIPING			
2-L05	5103	HEAD LAMP RETRACTORS	2-N13	6140	COMPRESSOR COMPONENTS (AIR CON DITIONER)			
2-C06	5105	FRONT COMBINATION LAMPS	2-D14	6150	COOLING UNIT (AIR CONDITIONER)			
2-E06	5110	REAR COMBINATION LAMPS	2-E14	6300	WINDOW GLASSES			
2-H06	5120	LICENSE LAMPS	2-F14	6330	SUNROOF			
2-I06	5170	ORNAMENTS	2-D15	6600	SWITCHES & RELAYS (ENGINE)			
2-J06	5180	REAR FINISHER	2-G15	6610	DASHBOARD SWITCHES			
2-K06	5230	BONNET	2-H15	6611	COMBINATION SWITCH			
2-M06	5260	TRUNK LID	2-I15	6630	RELAYS & UNIT (BODY)			
2-N06	5310	FRONT PANELS	2-K15	6635	DOOR SWITCH & HORNS			
2-C07	5320	FENDER & WHEEL APRON PANELS	2-L15	6640	AUTO CRUISE CONTROL SYSTEM			
2-E07	5330	DASH & COWL PANELS	2-M15	6680	AUDIO SYSTEMS (RADIO & TAPE DE CK)			
2-F07	5340	SIDE PANELS	2-F16	6682	AUDIO SYSTEMS (ANTENNA & SPEAK ER)			
2-K07	5370	FLOOR PANELS	2-H16	6700	WIRING HARNESES(FRONT & REAR)			
2-N07	5380	FLOOR ATTACHMENTS (HOLE COVERS)	2-J16	6701	WIRING HARNESES(ENGINE & T/MI SSION)			
2-C08	5390	FLOOR ATTACHMENTS	2-L16	6702	WIRING HARNESES(DASHBOARD)			
2-C09	5500	DASHBOARD EQUIPMENTS	2-M16	6703	WIRING HARNESES(DOOR, FLOOR/CE ILING)			
2-E09	5520	METER HOOD	3-C03	6704	WIRING HARNESS CLAMPS			
2-F09	5530	SPEEDOMETER CABLE	3-F03	6720	WINDSHIELD WASHER			
2-G09	5540	METER COMPONENTS	3-J03	6730	WINDSHIELD WIPERS			
2-I09	5560	DASHBOARD & RELATED PARTS	3-L03	6740	WIPER MOTOR COMPONENTS(FRONT)			
2-L09	5570	CONSOLE	3-M03	6820	FRONT HEADER TRIM & PILLAR TRI MS			
2-C10	5580	VENTILATOR	3-N03	6840	TRIMS & SCUFF PLATES			
2-E10	5700	SEATS	3-D04	6860	FLOOR MATS & PADS			
2-D11	5790	SEAT BELTS	3-G04	6870	SERVICE TOOLS			
2-E11	5795	AIR BAG	3-H04	6900	VISORS, ASSIST HANDLES & MIRROR S			
2-G11	5800	FRONT DOORS	3-K04	6930	CAUTION PLATES & LABELS			
2-J11	5830	FRONT DOOR MECHANISMS						
2-N11	5840	FRONT DOOR TRIMS & RELATED PAR TS						
2-C13	6100	HEATER						

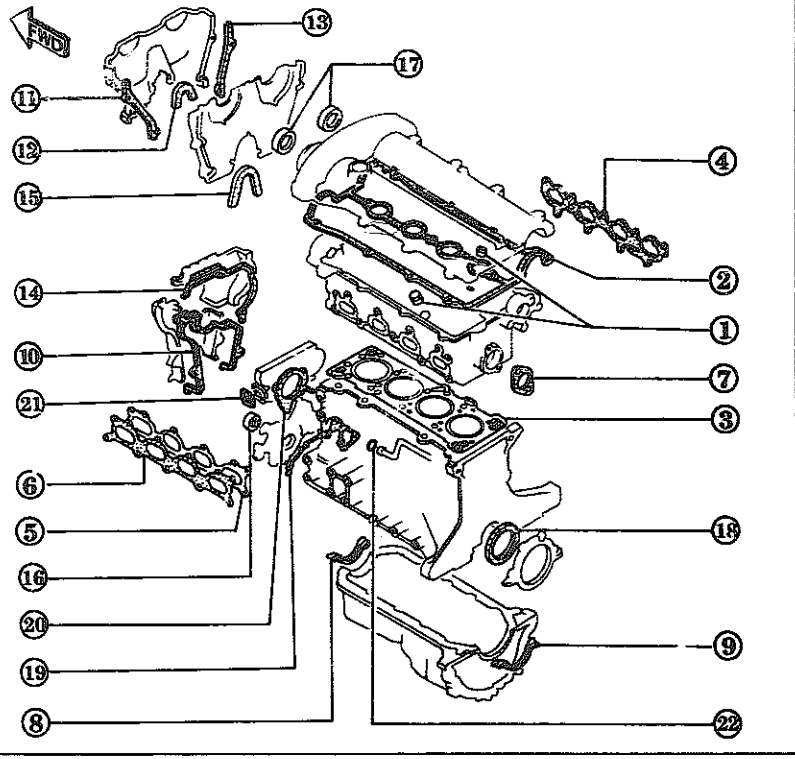
(THIS ILLUSTRATION CONSISTS OF 2 PAGES)

10-271S

- 1-SEAL VALVE.....(16)
- 2-GASKET, HEAD COVER.....(1)
- 3-GASKET, CYLINDER HEAD.....(1)
- 4-GASKET, IN. MANIFOLD.....(1)
- 5-GASKET, EX. MANIFOLD.....(1)
- 6-GASKET, EX. MANIFOLD.....(1)
- 7-GASKET, THERMOSTAT COVER.....(2)
- 8-GASKET, OIL PAN.....(1)
- 9-GASKET, OIL PAN.....(1)
- 10-GASKET, T. B. COVER LWR.....(1)
- 11-GASKET (L).....(1)
- 12-GASKET (INN), TIMING BELT (L).....(1)
- 13-GASKET (C), TIMING BELT (L).....(1)
- 14-GASKET, T. BELT COVER-C.....(1)
- 15-RUBBER, SEAL-SEAL PLATE.....(1)
- 16-SEAL OIL.....(2)
- 17-SEAL OIL.....(2)
- 18-SEAL OIL-CRANKSHAFT.....(1)
- 19-GASKET, OIL PUMP.....(1)
- 20-GASKET, WATER PUMP.....(1)
- 21-GASKET, W. PUMP INLET.....(1)
- 22-RING, "O"-WATER BY-PASS.....(1)

- 1-SEAL VALVE.....(16)
- 2-GASKET, HEAD COVER.....(1)
- 3-GASKET, CYLINDER HEAD.....(1)
- 4-GASKET, IN. MANIFOLD.....(1)
- 5-GASKET, EX. MANIFOLD.....(1)
- 6-GASKET, EX. MANIFOLD.....(1)
- 7-GASKET, THERMOSTAT COVER.....(2)

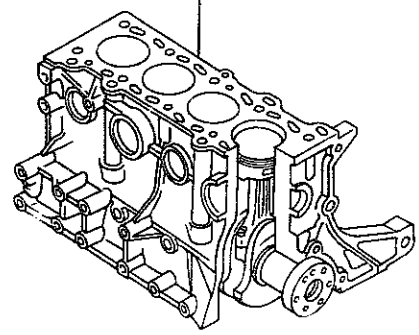
10-235S



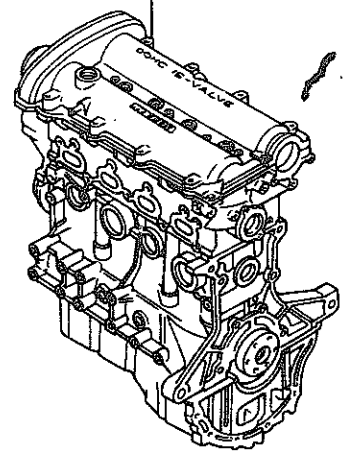
(THIS ILLUSTRATION CONSISTS OF 2 PAGES)



23-800



02-300



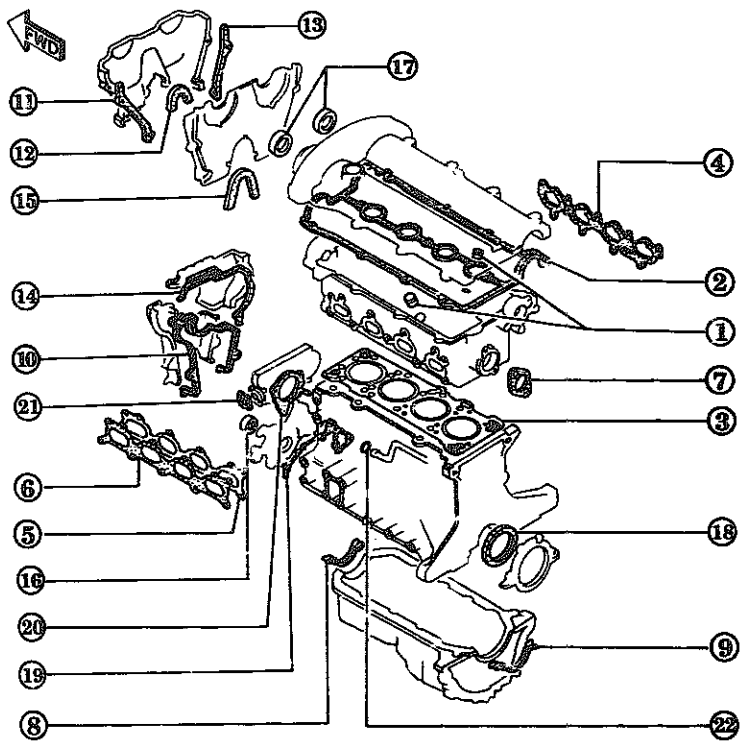
(THIS ILLUSTRATION CONSISTS OF 2 PAGES)

10-271S

- 1-SEAL VALVE.....(16)
- 2-GASKET, HEAD COVER.....(1)
- 3-GASKET, CYLINDER HEAD.....(1)
- 4-GASKET, IN. MANIFOLD.....(1)
- 5-GASKET, EX. MANIFOLD.....(1)
- 6-GASKET, EX. MANIFOLD.....(1)
- 7-GASKET, THERMOSTAT COVER.....(2)
- 8-GASKET, OIL PAN.....(1)
- 9-GASKET, OIL PAN.....(1)
- 10-GASKET, T. B. COVER LWR.....(1)
- 11-GASKET (L).....(1)
- 12-GASKET (INN), TIMING BELT (L).....(1)
- 13-GASKET (C), TIMING BELT (L).....(1)
- 14-GASKET, T. BELT COVER-C.....(1)
- 15-RUBBER SEAL-SEAL PLATE.....(1)
- 16-SEAL, OIL.....(1)
- 17-SEAL, OIL.....(2)
- 18-SEAL OIL-CRANKSHAFT.....(1)
- 19-GASKET, OIL PUMP.....(1)
- 20-GASKET, WATER PUMP.....(1)
- 21-GASKET, W. PUMP INLET.....(1)
- 22-RING, "O"-WATER BY-PASS.....(1)

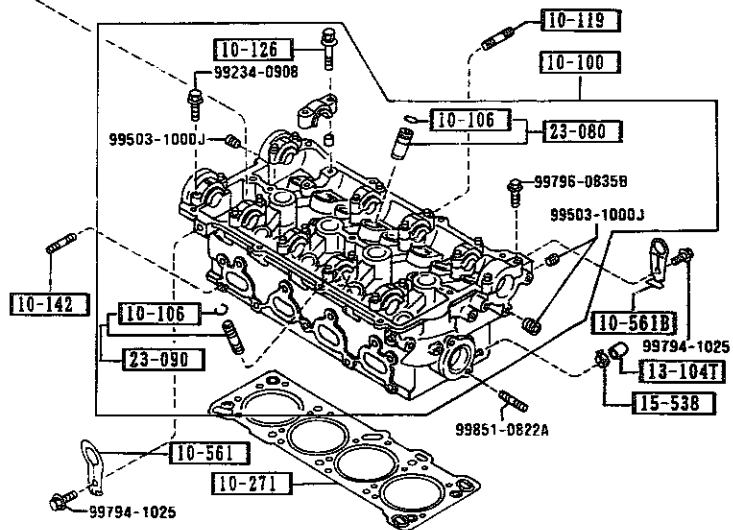
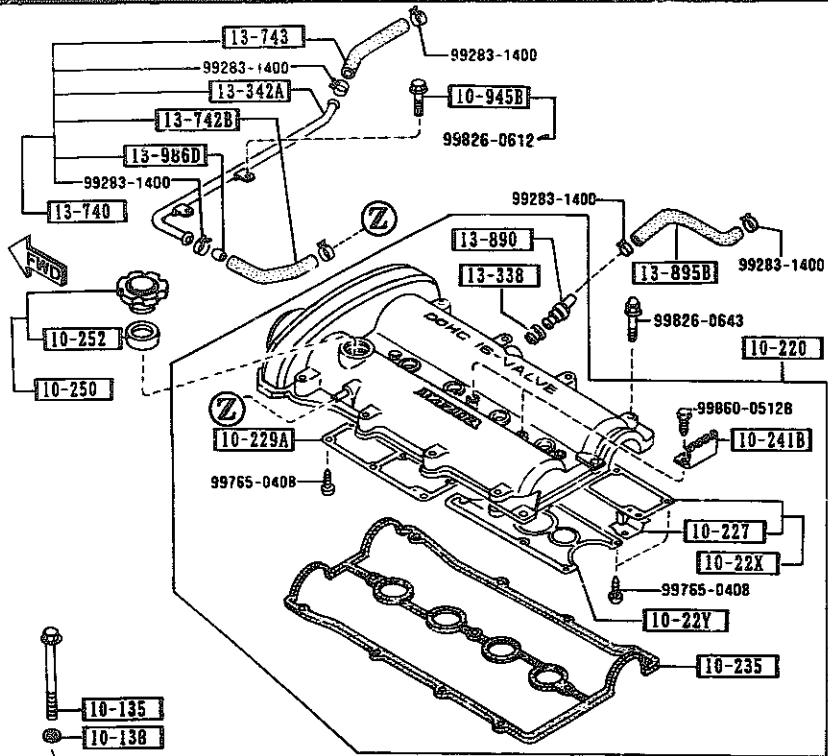
- 1-SEAL VALVE.....(16)
- 2-GASKET, HEAD COVER.....(1)
- 3-GASKET, CYLINDER HEAD.....(1)
- 4-GASKET, IN. MANIFOLD.....(1)
- 5-GASKET, EX. MANIFOLD.....(1)
- 6-GASKET, EX. MANIFOLD.....(1)
- 7-GASKET, THERMOSTAT COVER.....(2)

10-235S



PART NO.	QTY	MODEL/RESTRICTION	MODEL/RESTRICTION	MODEL/RESTRICTION	FROM-TO
02-300		ENGINE, PARTIAL			
*B61P-02-300	1	(MT)			3701-
*B64J-02-300	1	(AT)			3701-
10-235S		GASKET SET, CYL. HEAD			
BAN1-10-235A	1				
10-271S		GASKET SET, ENGINE			
BAN1-10-271B	1	NON ASBESTOS			
23-800		ENGINE, SHORT			
B64E-02-200D	1	(MT)			
B64J-02-200B	1	(AT)			
3701 NA351*-423706					

1010 CYLINDER HEAD & COVER



ALNA03

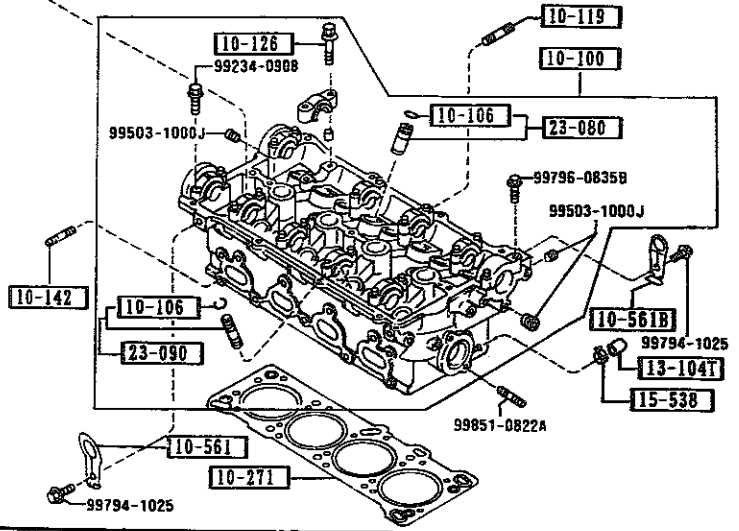
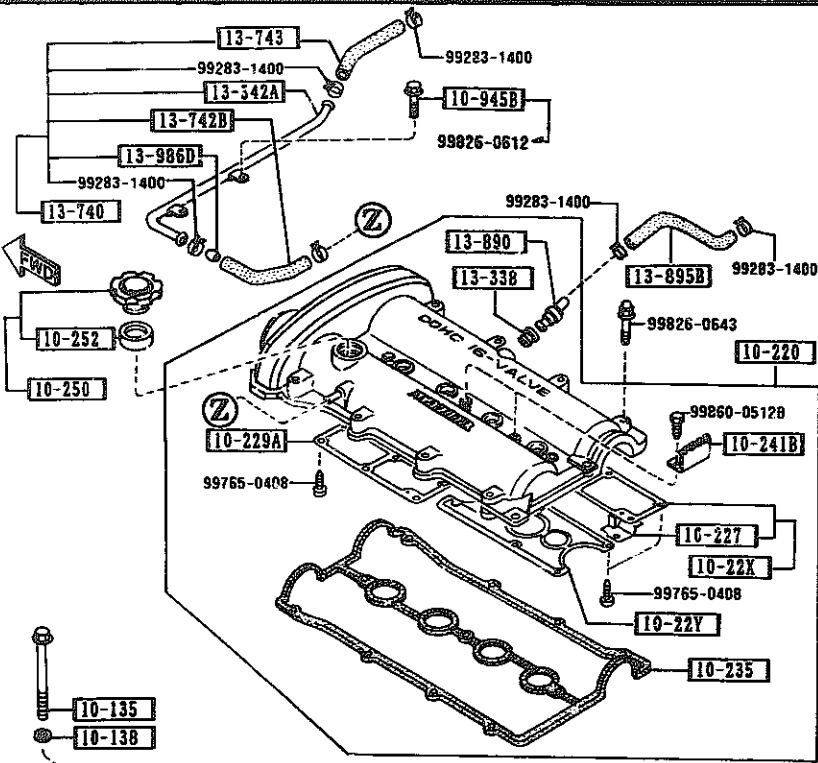
1010 -1 CYLINDER HEAD & COVER

PART NO.	QTY	MODEL/RESTRICTION	MODEL/RESTRICTION	MODEL/RESTRICTION	FROM-TO
10-100		HCAD,CYLINDER			
B61P-10-100D A (B61P-10-100F)	1				-3601
B61P-10-100F	1				3601-
10-106		CLIP,VALVE GUIDE			
B660-10-106	16				
10-119		STUD			
FE4J-13-146	3				
10-126		BOLT,CAMSHAFT CAP			
B660-10-126	20				
10-135		BOLT,CYLINDER HEAD			
B660-10-135A	10				
10-138		WASHER,PLAIN CYL. HE AD			
B630-10-138A	10				
10-142		STUD,EX. MANIFOLD			
B661-10-104	9				
10-22X		PLATE,OIL BAFFLE-IN. SIDE			
B61P-10-22X	1				
10-22Y		PLATE,OIL BAFFLE-EX.			
B6S7-10-22Y	1				
10-220		COVER,CYLINDER HEAD			
B61P-10-210D	1				
10-227		PLATE,BAFFLE			
B61P-10-227	1				
10-229A		PLATE,OIL BAFFLE			
B6S7-10-225	2				
10-235		GASKET,HEAD COVER NON ASBESTOS			
B61P-10-235A	1				
3601 NA351*-422220					

CAT. ALNA03-04

1994-10

1010 CYLINDER HEAD & COVER



1010 -2 CYLINDER HEAD & COVER

PART NO.	QTY	MODEL/RESTRICTION	MODEL/RESTRICTION	MODEL/RESTRICTION	FROM-TO
10-241B	2	PROTECTOR, HT. CORD-S. TANK			
B660-10-241					
10-250	1	CAP, OIL FILLER			
0453-10-250A					
10-252	1	GASKET			
0324-10-252					
10-271	1	GASKET, CYLINDER HEAD NON ASBESTOS			
B6F4-10-271A					
10-561	1	HANGER, ENGINE			
B660-10-561					
10-561B	1	HANGER, ENGINE-REAR			
B61P-10-565					
10-945B	2	BOLT			
B61P-13-365					
13-104T	1	CAP, SEALING			
FEA7-13-104					
13-338	1	SEAL, RUBBER			
E301-13-338A					
13-342A	1	PIPE, VENTILATION			
B61P-13-74XA					
13-740	1	HOSE, VENT.-PURGE CON T. V.			
B61P-13-740A					
13-742B	1	HOSE, VENTILATION			
B61P-13-742A					
13-743	1	HOSE, VENTILATION			
B61P-13-743A					
13-890		VALVE, P.C.V.			

-3401

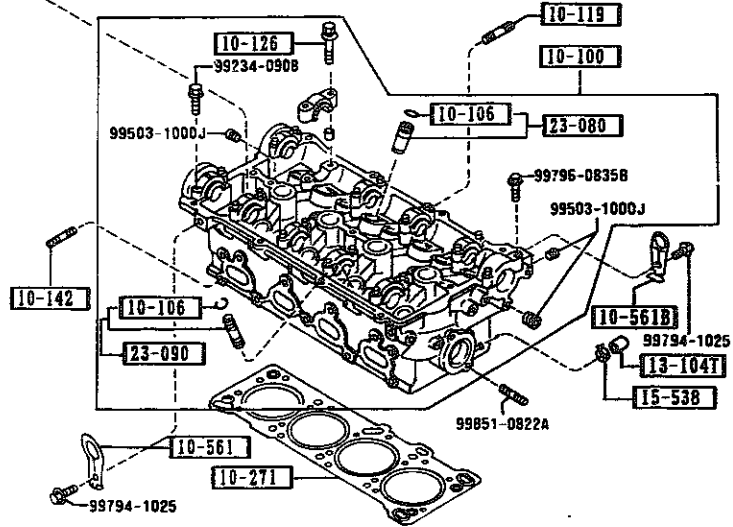
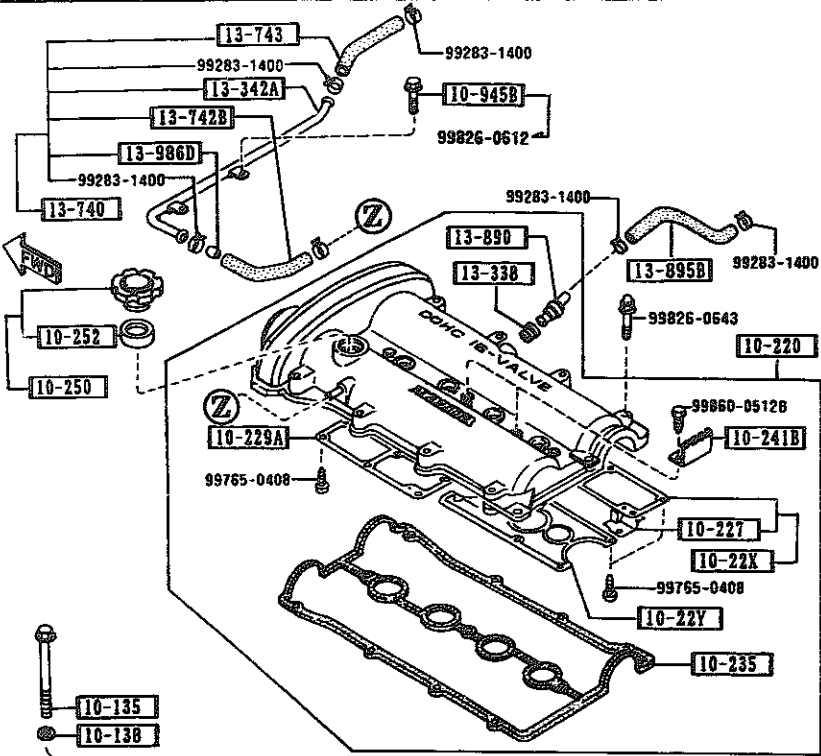
3401 NA351M-418882

ALMA03

CAT. ALMA03-04

1994-10

1010 CYLINDER HEAD & COVER



1010 -3 * CYLINDER HEAD & COVER

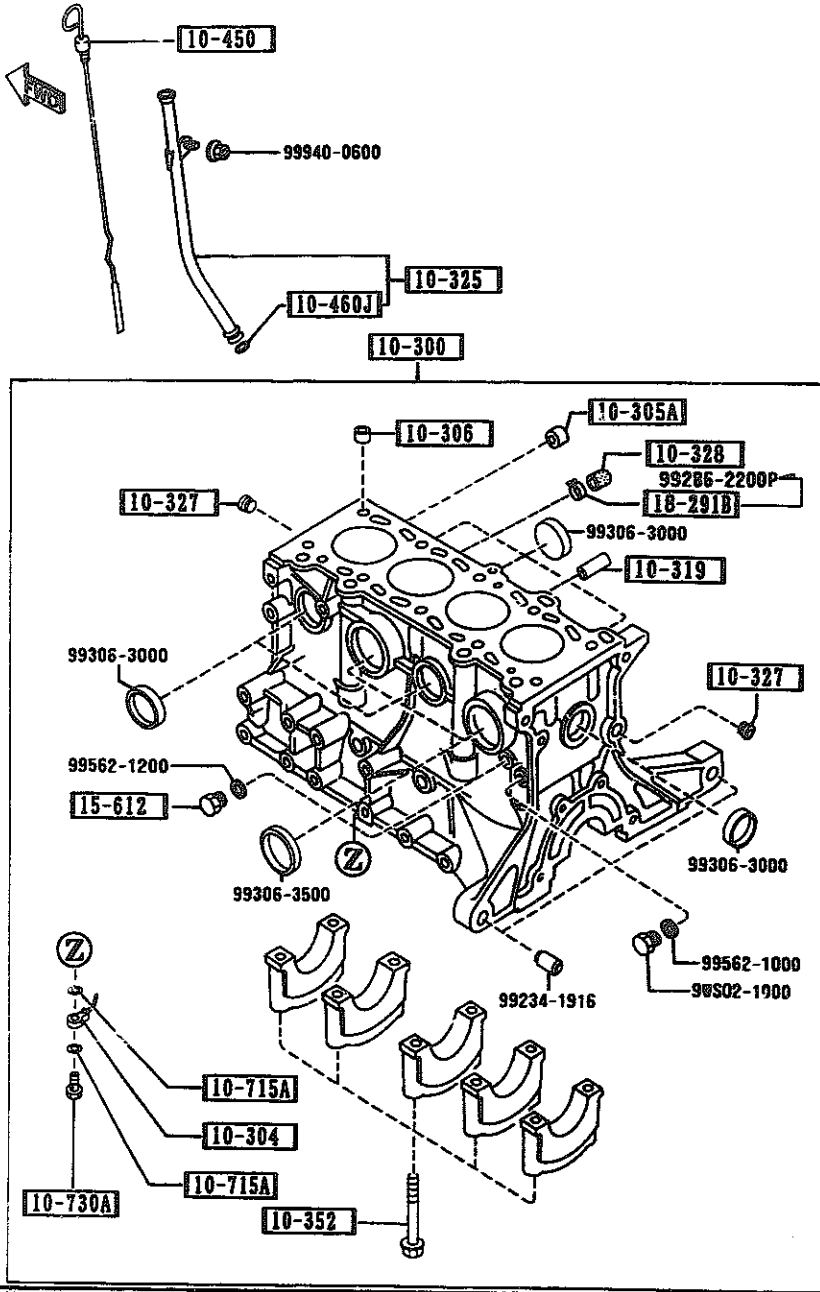
PART NO.	QTY	MODEL/RESTRICTION	MODEL/RESTRICTION	MODEL/RESTRICTION	FROM-TO
CONT'D					
8P05-13-890	1				
13-895B		HOSE, P. C. V.			
B61P-13-741	1				
13-986D		ORIFICE			
B61P-13-986	1				
15-538		CLAMP, WATER HOSE			
JF02-15-538	1				
23-080		GUIDE, VALVE			
96Z0-10-280	8				
23-090		GUIDE, VALVE			
B6Z0-10-290	8				

AUNA03

CAT. AUNA03-04

1994-10

1030 CYLINDER BLOCK

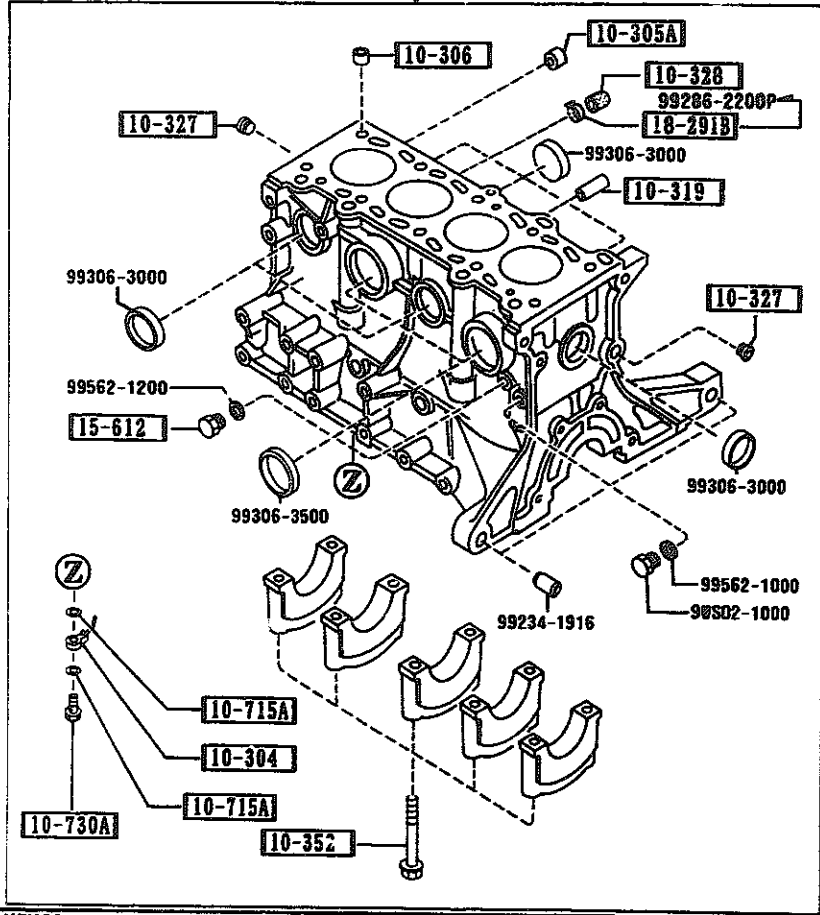
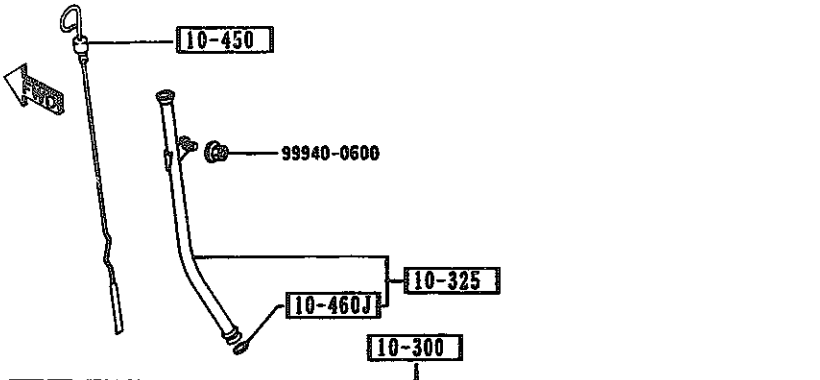


PART NO.	QTY	MODEL/RESTRICTION	MODEL/RESTRICTION	MODEL/RESTRICTION	FROM-TO
10-300		BLOCK, CYLINDER			
B64J-10-300 AN(B64J-10-300A)	1				-3401
B64J-10-300A	1				3401-
10-304		JET, OIL			
B660-10-580A	6				
10-305A		PLUG			
B366-10-305	1				
10-306		PIN, TUBULAR			
B630-10-306	2				
10-319		JOINT			
B630-10-319	1				
10-325		PIPE, OIL LEVEL GAUGE			
B61P-10-440	1				
10-327		PLUG, BLIND			
0221-10-327	2				
10-328		COVER, BLIND-CYL. BLOCK			
B660-10-328	1				
10-352		BOLT, BEARING CAP			
B630-10-352	10				
10-450		GAUGE, OIL LEVEL			
B61P-10-450C	1				
10-460J		RING, 'O'			
99541-00907	1				
10-715A		GASKET, OIL JET			
SE01-10-715	8				
10-730A		VALVE, OIL JET			
SE01-10-730	4				

3401 NA351*-418882

1030 -2 * CYLINDER BLOCK

1030 CYLINDER BLOCK

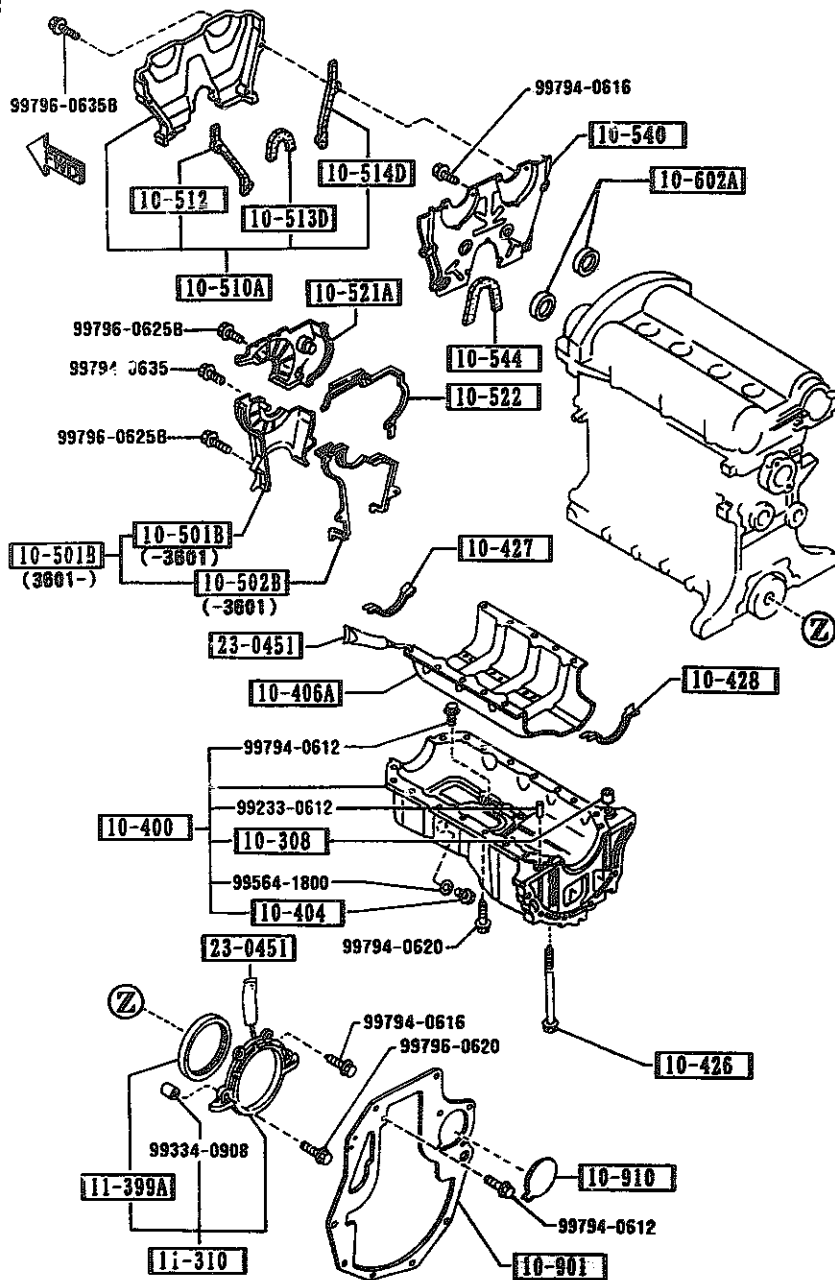


PART NO.	QTY	MODEL/RESTRICTION	MODEL/RESTRICTION	MODEL/RESTRICTION	FROM-TO
15-612		PLUG			
SE01-15-612	1				
18-291B		CLAMP, HOSE			
R250-15-538	1				-3401

3401 NAC51K-418882

1040 -1 OIL PAN & TIMING COVER

1040 OIL PAN & TIMING COVER



PART NO.	QTY	MODEL/RESTRICTION	MODEL/RESTRICTION	MODEL/RESTRICTION	FROM-TO
10-308		PIN, TUBULAR			
B6F4-10-308	1				
10-400		PAN, OIL			
B6Y0-10-400C	1				
10-404		PLUG, DRAIN			
B6S7-10-404A	1				
10-406A		PLATE, OIL. BAFFLE-CYL BLK			
B61P-10-40YA	1				
10-426		BOLT			
B6S7-10-465	2				
10-427		GASKET, OIL PAN			
B6F4-10-427	1				
10-428		GASKET, OIL PAN			
B6F4-10-428	1				
10-501B		COVER, TIMING BELT-LW R			
B660-10-500E A (B660-10-501E)	1				-3601
B660-10-501E	1				3601-
10-502B		GASKET, T.B. COVER LWR NON ASBESTOS			
B660-10-502B	1				-3601
10-510A		COVER (UP.), TIMING CH AIN			
B61P-10-510	1				
10-512		GASKET (L) NON ASBESTOS			
B61P-10-512	1				
10-513D		GASKET (INN), TIMING B ELT (L) NON ASBESTOS			
B61P-10-513	1				
10-514D		GASKET (C), TIMING BEL T (L)			
3601 NA351N-42220					

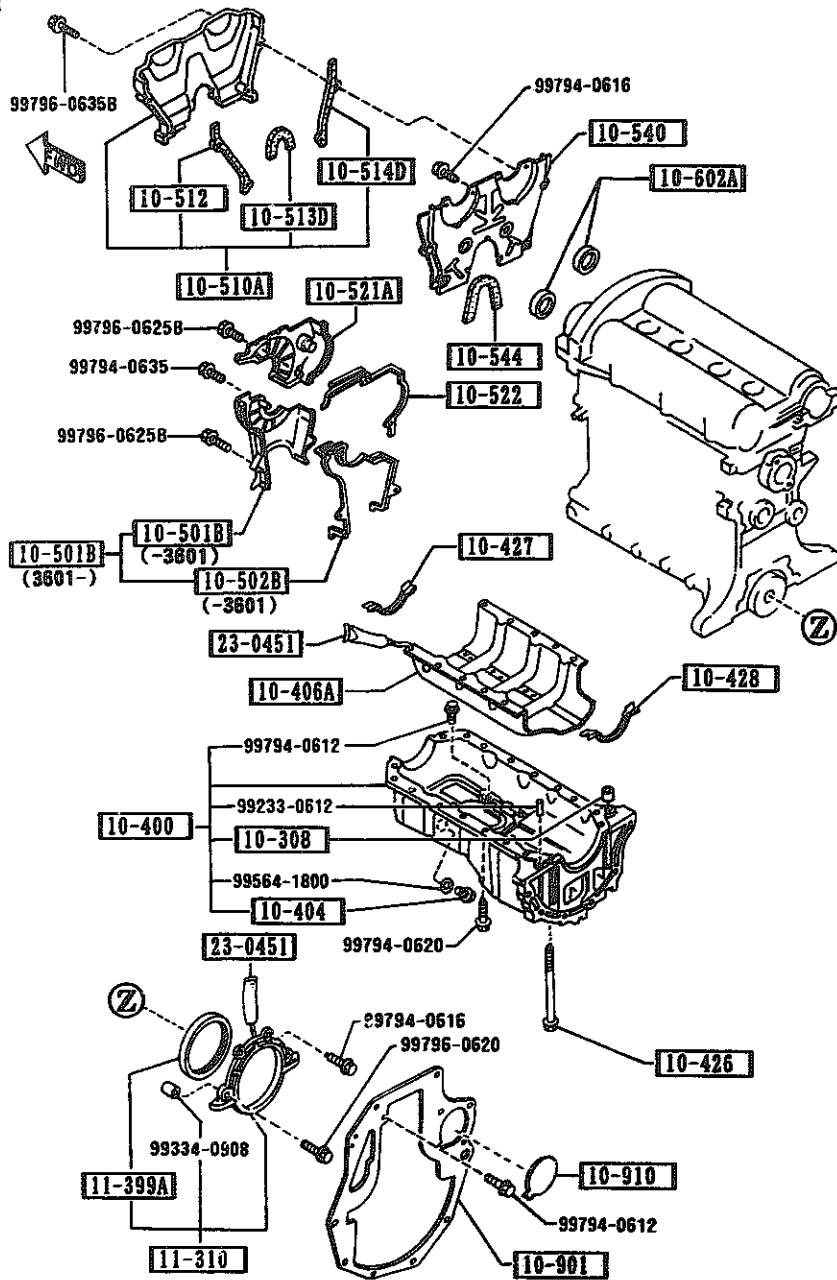
AUMA03

CAT. AUMA03-04

1994-10

1040 -2# OIL PAN & TIMING COVER

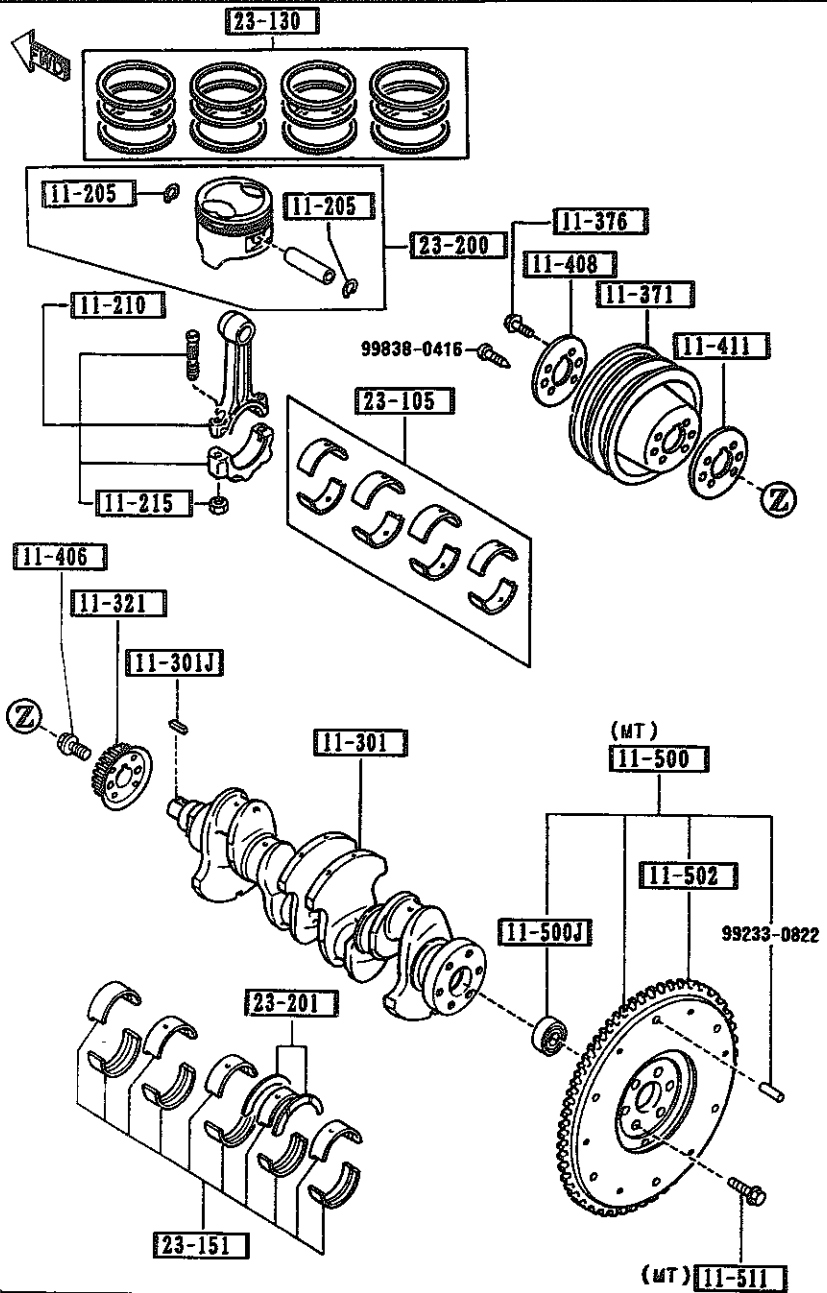
1040 OIL PAN & TIMING COVER



PART NO.	QTY	MODEL/RESTRICTION	MODEL/RESTRICTION	MODEL/RESTRICTION	FROM-TO
CONT'D					
B61P-10-514	1	NON ASBESTOS			
10-521A		COVER, TIMING BELT-C.			
B660-10-520B	1				
10-522		GASKET, T. BELT COVER-C.			
B660-10-522	1	NON ASBESTOS			
10-540		PLATE, SEAL-T. BELT COVER U			
B61P-10-540C	1				
10-544		RUBBER, SEAL-SEAL PLATE			
B61P-10-544	1				
10-602A		SEAL, OIL			
F285-10-602	2				-2B04
FS05-10-602A	2				2B04-
10-901		PLATE, END			
B61P-10-901A	1	(MT)			
B64J-10-901	1	(AT)			
10-910		COVER, END PLATE			
B64J-10-903	1	(AT)			
11-310		COVER, REAR			
B366-11-310C	1				
11-399A		SEAL, OIL-CRANKSHAFT			
BP05-11-312	1				
23-0451		TUBE, SILICON			
8527-77-759	1				

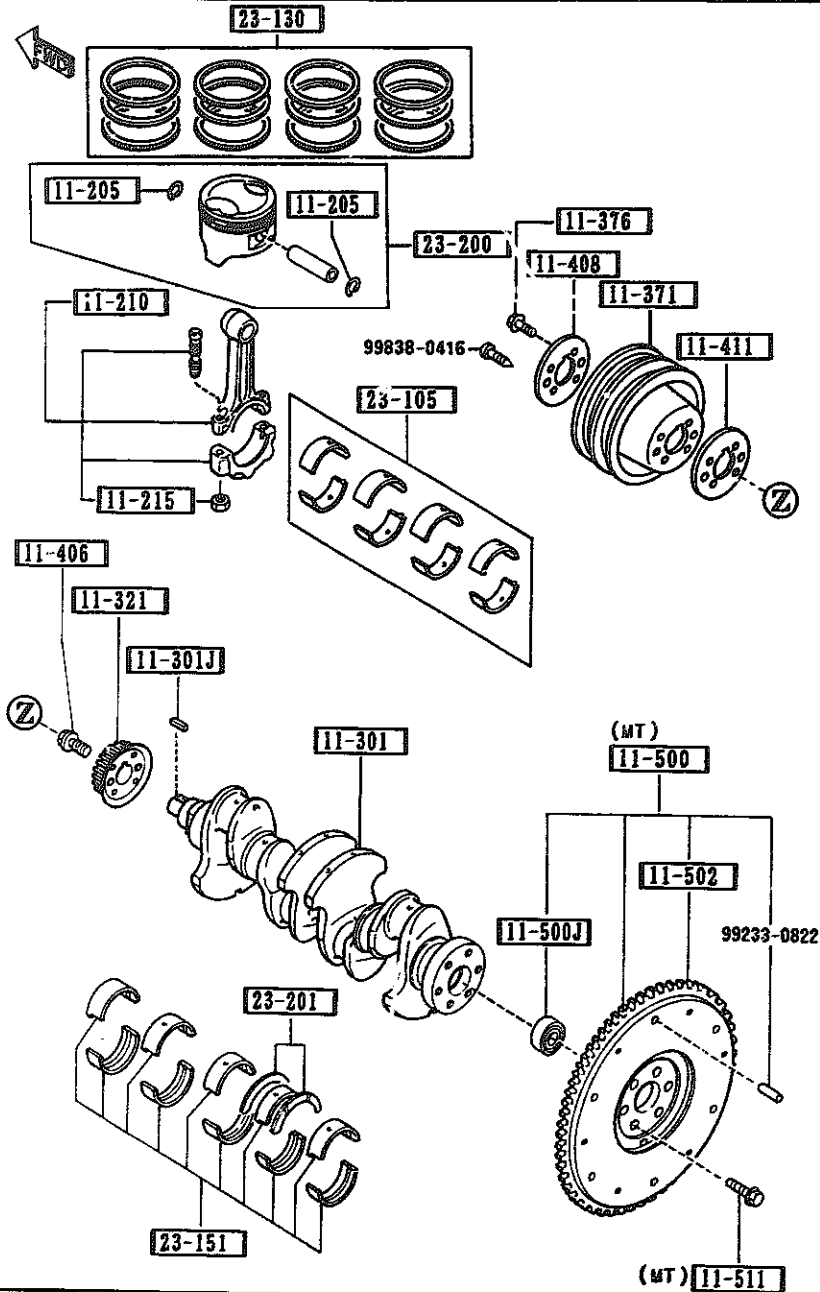
2B04 NA351K-405572

1100 PISTON, CRANKSHAFT & FLYWHEEL



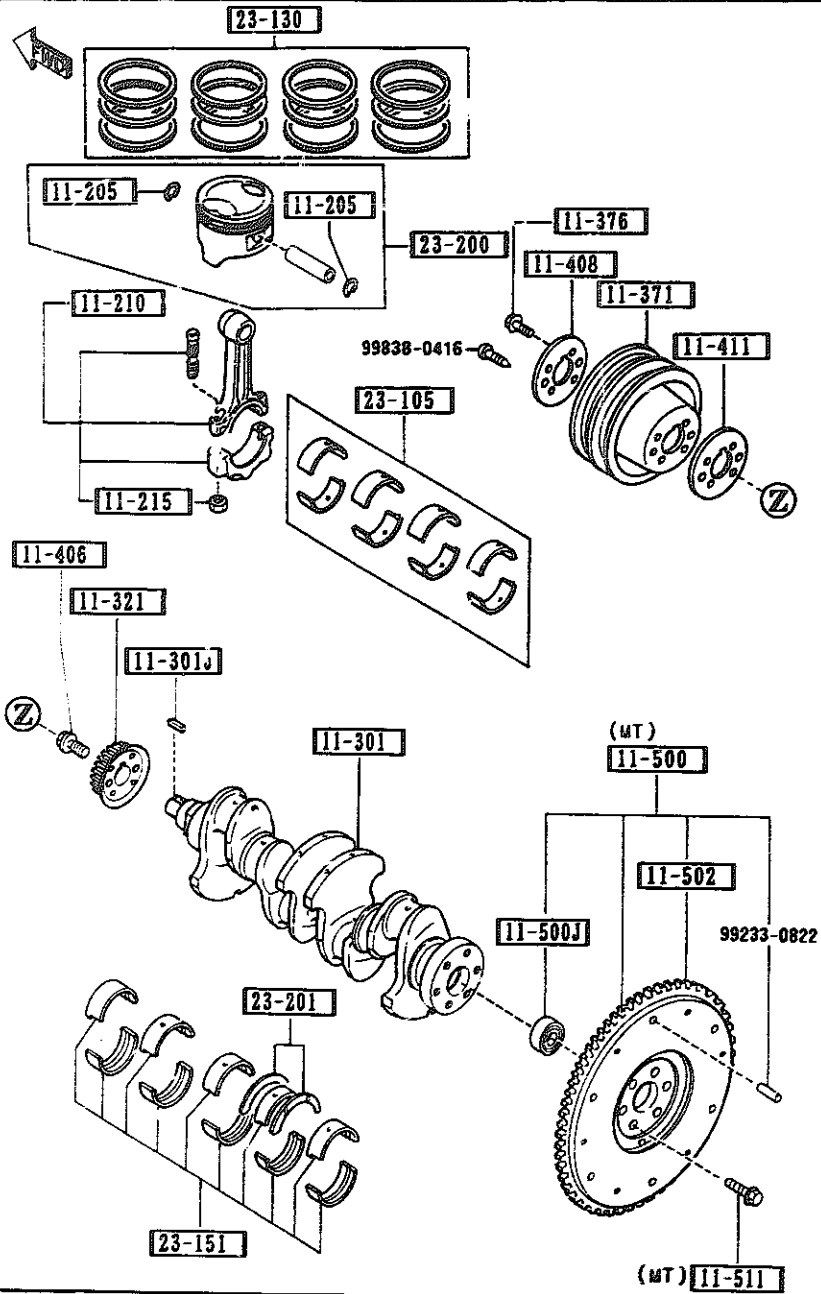
PART NO.	QTY	MODEL/RESTRICTION	MODEL/RESTRICTION	MODEL/RESTRICTION	FROM TO
11-205		CLIP			
0221-11-205	8				
11-210		ROD, CONNECTING			
B6S7-11-210D AK(B6S7-11-210E)	4				-3610
B6S7-11-210E	4				3610-
11-215		NUT, CONNECTING ROD			
B6S7-11-215A	8				
11-301		CRANKSHAFT			
B6S7-11-300 A (B6S7-11-300A)	1				-3701
B6S7-11-300A	1				3701-
11-301J		KEY, WOODRUFF-PULLEY			
B3C7-11-317	1				
11-321		PULLEY, TIMING BELT			
B3C7-11-321	1				
11-371		PULLEY, CRANKSHAFT			
B6S8-11-401	1				
11-376		BOLT, PULLEY			
JF01-11-405	4				
11-406		BOLT, LOCK-C. SHAFT PULLEY			
B3C7-11-406	1				
11-408		PLATE, CRANKSHAFT PULLEY			
B3C7-11-408	1				
11-411		BOSS, PULLEY			
B3C7-11-400	1				
11-500		WHEEL, FLY			
B61P-11-500	1 (MT)				
11-500J		BEARING, BALL-FLY WHEEL			
3610 NA351N-422744					
3701 NA351N-423706					

1100 PISTON, CRANKSHAFT & FLYWHEEL



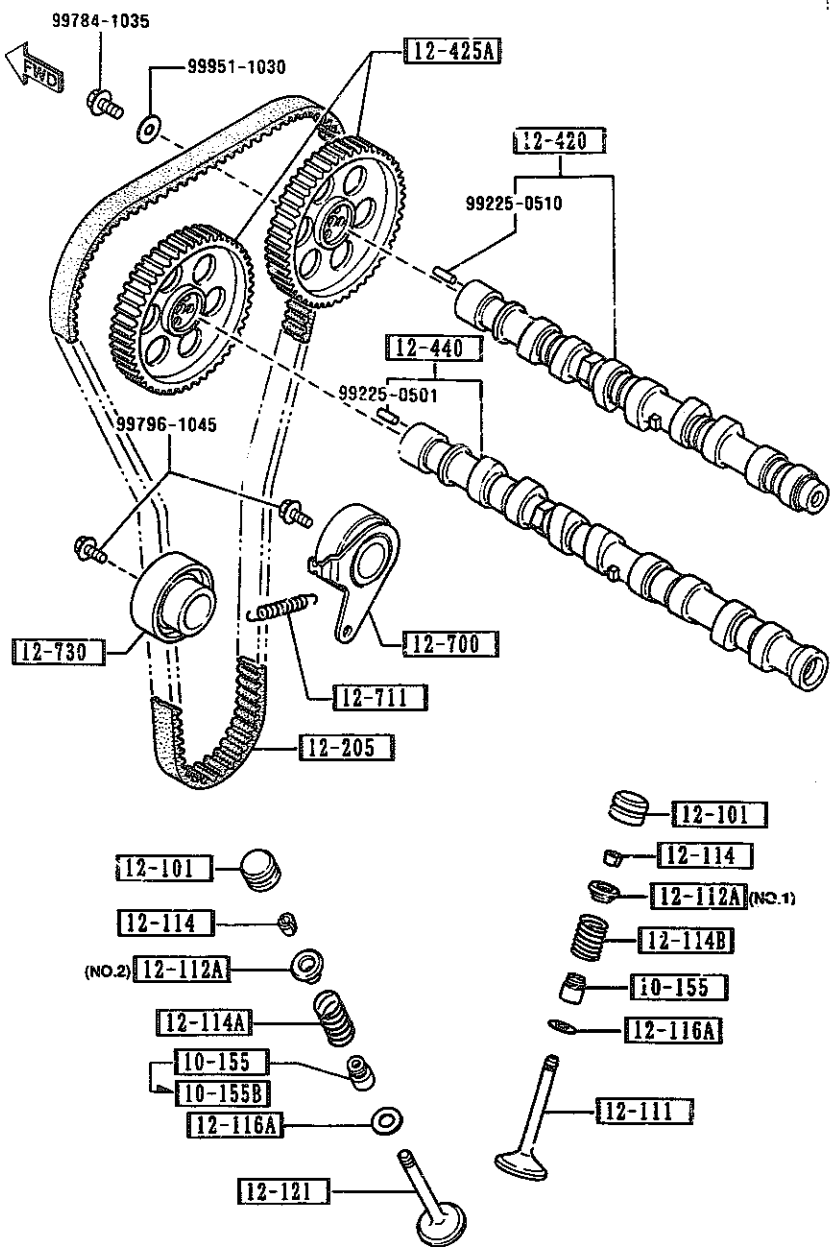
PART NO.	QTY	MODEL/RESTRICTION	MODEL/RESTRICTION	MODEL/RESTRICTION	FROM-TO
CONT'D					
F801-11-303	1	(MT)			
11-502		GEAR, RING-FLY WHEEL			
B367-11-502	1	(MT)			
11-511		BOLT, LOCK-FLYWHEEL			
F201-11-511 A (F201-11-511A)	6				-3401
F201-11-511A	6	(MT)			3401-
23-105		METAL SET, CONN. ROD			
B6Y1-11-SE0	1	STD.			
B6Y1-11-SFX	1	O.S. 0.50			
B6Y1-11-SFY	1	O.S. 0.75			
B6Y1-11-SF0	1	O.S. 0.25			
23-130		RING SET, PISTON			
B6Y3-11-SC0A	1	STD. (AT)			
B6Y4-11-SC0B	1	STD. (MT)			
B6Y3-11-SDXA	1	O.S. 0.50 (AT)			
B6Y4-11-SDXB	1	O.S. 0.50 (MT)			
B6Y3-11-SD0A	1	O.S. 0.25 (AT)			
B6Y4-11-SD0B	1	O.S. 0.25 (MT)			
23-151		METAL SET, MAIN BRG.			
B6Y2-11-SG0	1	STD.			
B6Y1-11-SHX	1	O.S. 0.50			
B6Y1-11-SH0	1	O.S. 0.25			
23-200		PISTON SET			
B6Z2-11-SA0C	4	STD. (MT)			
3401 NA351K-418882					

1100 PISTON, CRANKSHAFT & FLYWHEEL



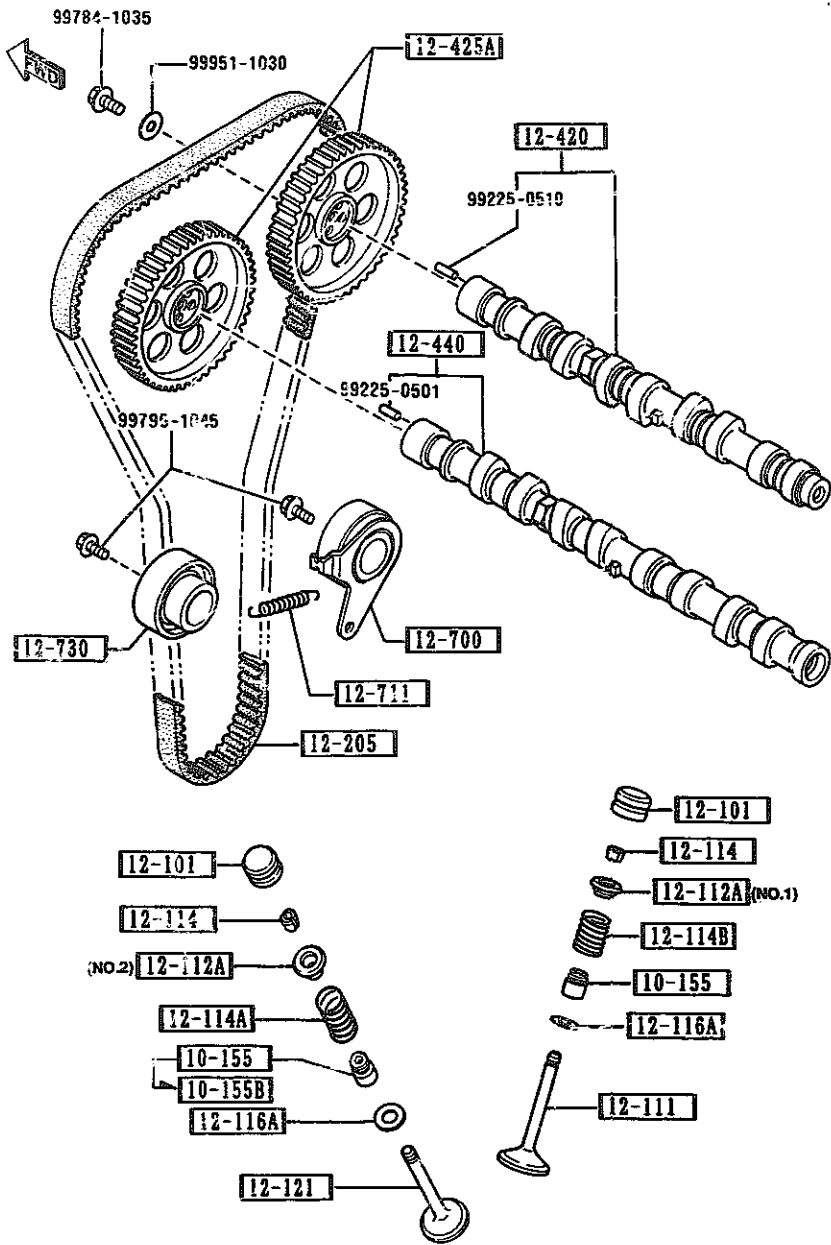
PART NO.	QTY	MODEL/RESTRICTION	MODEL/RESTRICTION	MODEL/RESTRICTION	FROM-TO
CONT'D					
B6Z5-11-SA0	4	STD. (AT)			
B6Z2-11-SBXC	4	O.S. 0.50 (MT)			
B6Z5-11-SBX	4	O.S. 0.50 (AT)			
B6Z2-11-SB0C	4	O.S. 0.25 (MT)			
B6Z5-11-SB0	4	O.S. 0.25 (AT)			
23-201		METAL SET, THRUST			
B6Y1-11-SJ0	1	STD.			
B6Y1-11-SKX	1	O.S. 0.50			
B6Y1-11-SKY	1	O.S. 0.75			
B6Y1-11-SK0	1	O.S. 0.25			

1200 VALVE SYSTEM



PART NO.	QTY	MODEL/RESTRICTION	MODEL/RESTRICTION	MODEL/RESTRICTION	FROM-TO
10-155		SEAL, VALVE			
B660-10-155	16	NOK			-3701
*KL01-10-155	8	NOK			3701-
10-155B		SEAL, VALVE			
*KL02-10-155	8	NOK			3701-
12-101		ADJUSTER, HYDRAULIC LASH			
B660-12-101	16	NITTAN VALVE			-3622
*KL01-12-101B	16	NITTAN VALVE			3622-
12-111		VALVE, INLET			
B6S7-12-111	8				
12-112A		SEAT, VALVE SPG-UP.			
BJ01-12-113	8	(ILLUST. NO.1)			
B660-12-113	8	(ILLUST. NO.2)			
12-114		COTTER, VALVE			
B660-12-114	32				
12-114A		SPRING, OUT.-VALVE			
B61P-12-125	8				
12-114B		SPRING, VALVE			
BJ01-12-125	8				
12-116A		SEAT, VALVE SPG.-LWR			
B660-12-123A	16				
12-121		VALVE, EXHAUST			
B660-12-121	8				
12-205		BELT, TIMING			
B6S7-12-205B	1				-2901
AN(B6S7-12-205C)					
B6S7-12-205C	1	UNITTA			2901-
2901 NA351*-401942 3622 NA351*-423305 3701 NA351*-423706					

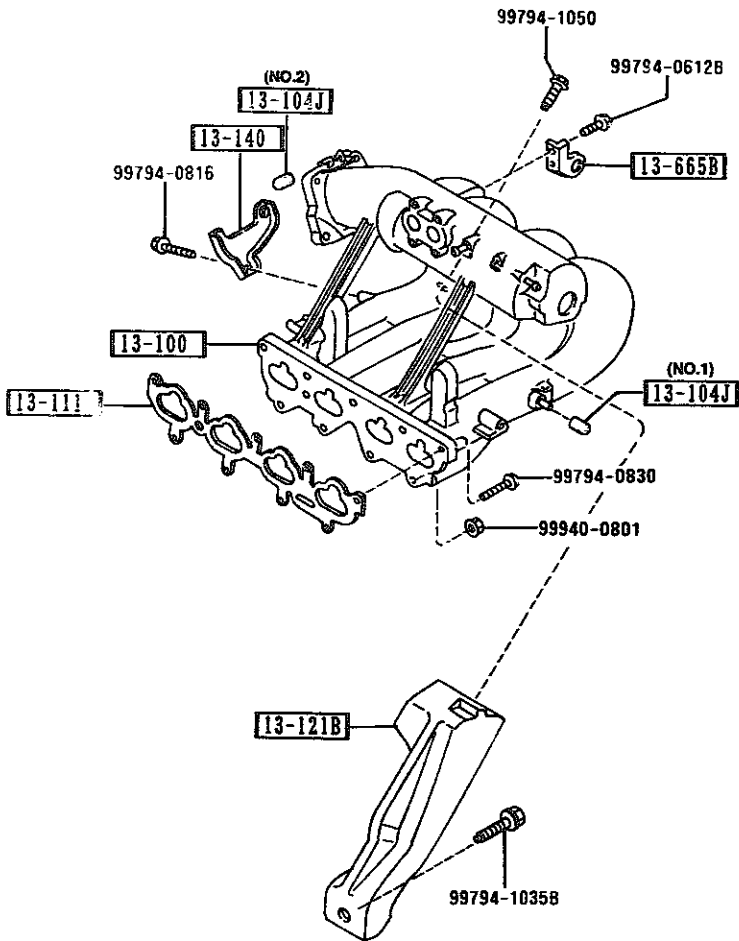
1200 VALVE SYSTEM



PART NO.	QTY	MODEL/RESTRICTION	MODEL/RESTRICTION	MODEL/RESTRICTION	FROM-TO
12-420		CAMSHAFT			
B64J-12-420 AN(B64J-12-420B)	1				-3601
B660-12-420C AN(B660-12-420E)	1				-3601
B64J-12-420B	1 (AT)				3601-
B660-12-420E	1 (MT)				3601-
12-425A		PULLEY, CAMSHAFT			
B6S7-12-425A	2				
12-440		CAMSHAFT, EXHAUST			
B6A7-12-440A	1 (AT)				
B61P-12-440	1 (MT)				
12-700		TENSIONER, T. BELT			
B660-12-700D	1				
12-711		SPRING, TENSIONER			
B660-12-711C	1				
12-730		IDLER, TIMING BELT			
B660-12-730C	1				
3601 NA351#-422220					

1300 -1 * INLET MANIFOLD

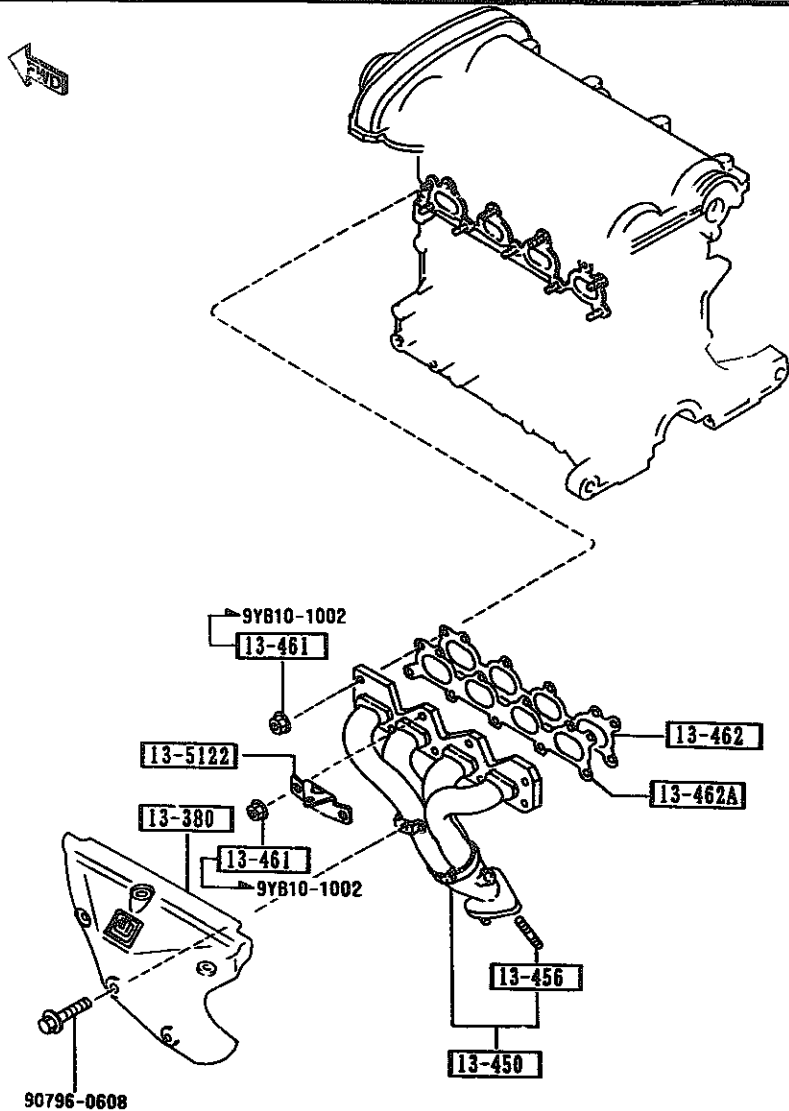
1300 INLET MANIFOLD



PART NO.	QTY	MODEL/RESTRICTION	MODEL/RESTRICTION	MODEL/RESTRICTION	FROM-TO
13-100		MANIFOLD, INLET			
B61P-13-100D	1				
13-104J		CAP, BLIND			
F8L7-13-104	1	(ILLUST. NO.1) (MT)			
1010-13-104	1	(ILLUST. NO.2)			
13-111		GASKET, IN. MANIFOLD			
B61P-13-111	1	NON ASBESTOS			
13-121B		STAY, MANIFOLD			
B61P-13-121	1				
13-140		BRKT, SURGE TANK			
B61P-13-140	1				
13-665B		BRACKET, ACCEL WIRE			
B61P-13-665	1				

1310 -1 1/2 EXHAUST MANIFOLD

1310 EXHAUST MANIFOLD

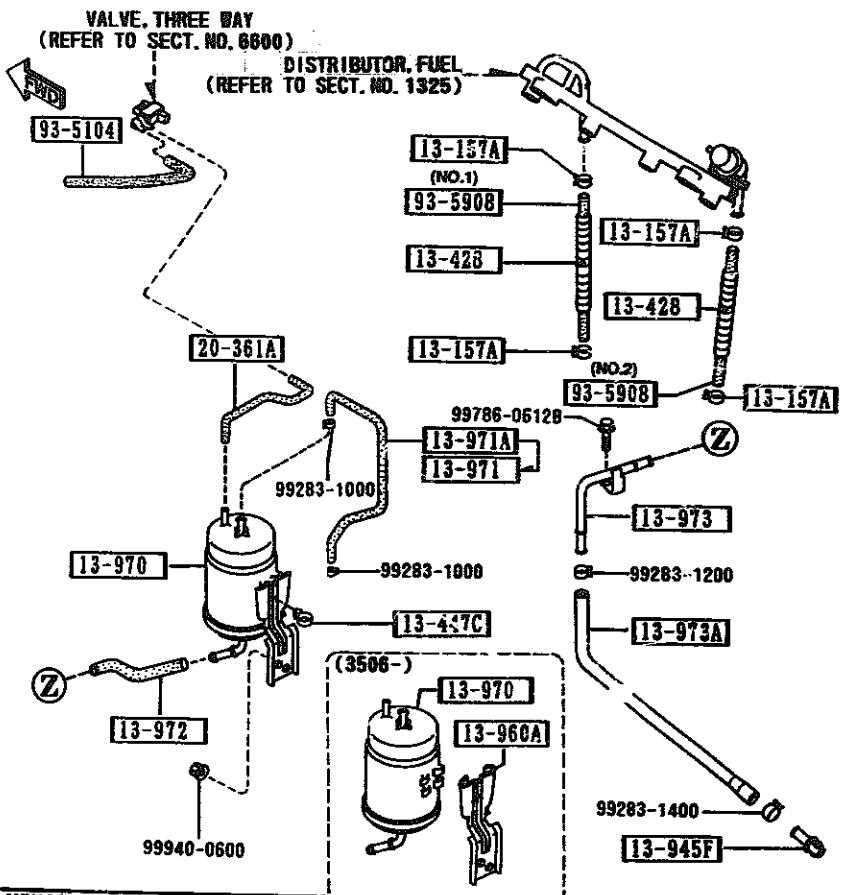
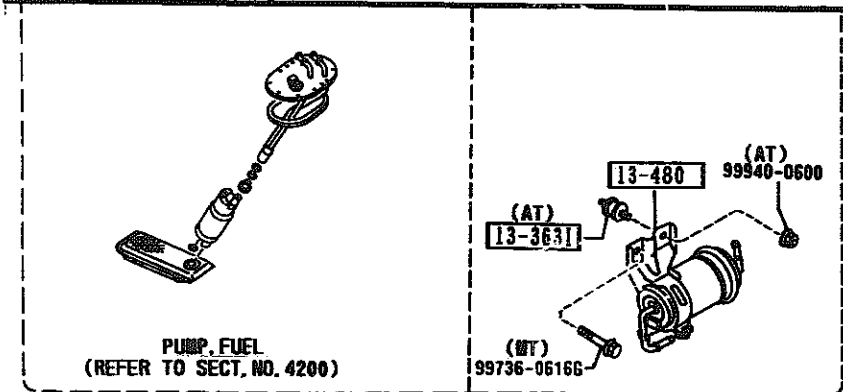


PART NO.	QTY	MODEL/RESTRICTION	MODEL/RESTRICTION	MODEL/RESTRICTION	FROM-TO
13-380		INSULATOR, HEAT			
B61P-13-380C	1				
13-450		MANIFOLD, EXHAUST			
B61P-13-450B	1				
13-456		STUD			
2306-13-456	3				
13-461		NUT, EX. MANIFOLD			
B6S7-13-465	9				-3501
13-462		GASKET, EX. MANIFOLD			
B695-13-460A	1	NON ASBESTOS			
13-462A		GASKET, EX. MANIFOLD			
B695-13-462	1				
13-5122		BRACKET, EX. MANIFOLD			
B61P-13-468	1				

3501 NA351*-420224

1320 FUEL SYSTEM

1320 -1 FUEL SYSTEM



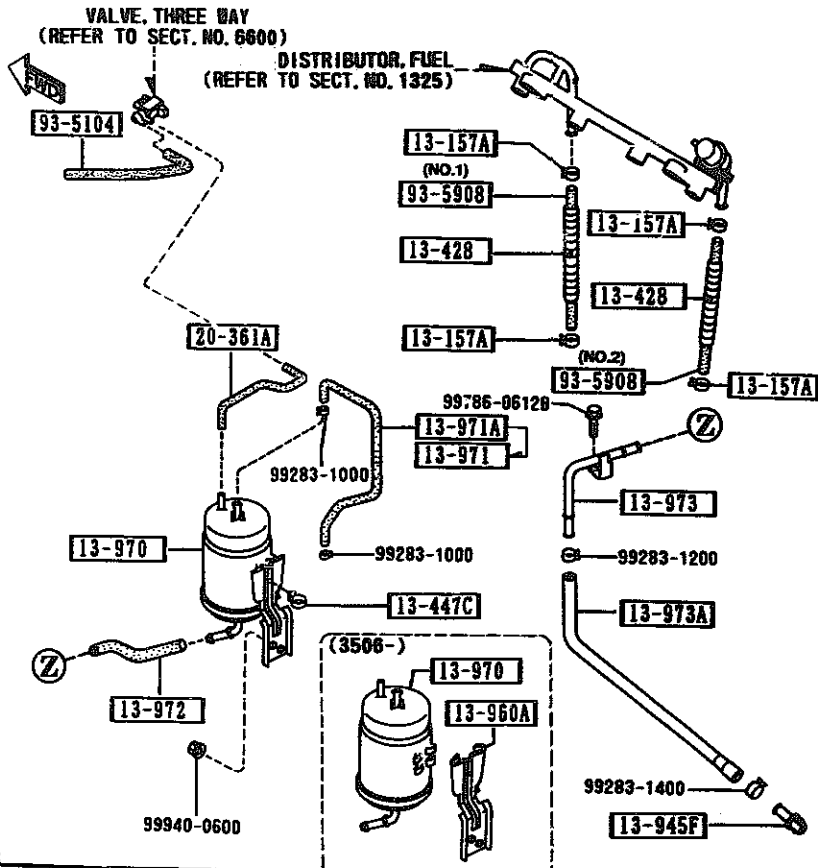
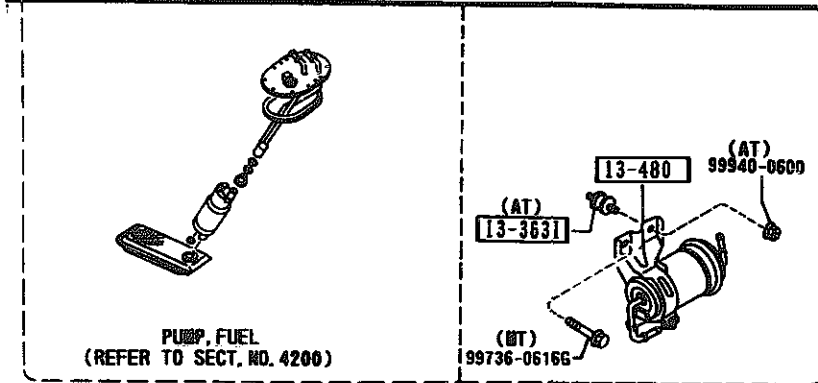
PART NO.	QTY	MODEL/RESTRICTION	MODEL/RESTRICTION	MODEL/RESTRICTION	FROM-TO
13-157A		CLIP			
8574-13-157	4				
13-363I		RUBBER, INSULATION			
N326-13-363B	2	(AT)			
13-428		PROTECTOR			
B61P-13-428	2				
13-447C		CLAMP, HOSE			
B61P-13-447	1				
13-480		FILTER, FUEL			
B61P-20-490	1				
13-691B		HOSE, WATER			
B61P-13-691A	1				
13-945F		CONNECTOR			
JE16-13-298	1				
13-960A		BRACKET, CANISTER			
B61P-13-960	1				
13-970		CANISTER			
B61P-13-970	1				-3506
C (F286-13-970A)					
F286-13-970A	1				3506-
13-971		HOSE, VENTILATION			
B6CA-13-971	1				2A16-
13-971A		HOSE, VACUUM			
B61P-13-971	1				-2A16
AN(B6CA-13-971)					
13-972		HOSE, EVAPORATION			
B61P-13-972A	1				-3506
B6CA-13-972	1				3506-
13-973		HOSE, DRAIN			
B61P-13-970	1	2A16 NA351R-401954			
C F286-13-970A	1	3506 NA351R-420224			
B6CA-13-972	1				

CAT. AUNA03-04

1994-10

1320 FUEL SYSTEM

1320 -2 * FUEL SYSTEM



PART NO.	QTY	MODEL/RESTRICTION	MODEL/RESTRICTION	MODEL/RESTRICTION	FROM-TO
CONT'D					
B61P-13-97YA	1				
13-973A		HOSE, EVAPORATION			
B61P-13-973A	1				
20-361A		TUBE, VACUUM			
B61P-20-361	1				
93-5104		HOSE			
99351-04999	1				
93-5908		HOSE			
99359-0840	1	(ILLUST. NO.1)			
99359-0840M	1	(ILLUST. NO.2)			

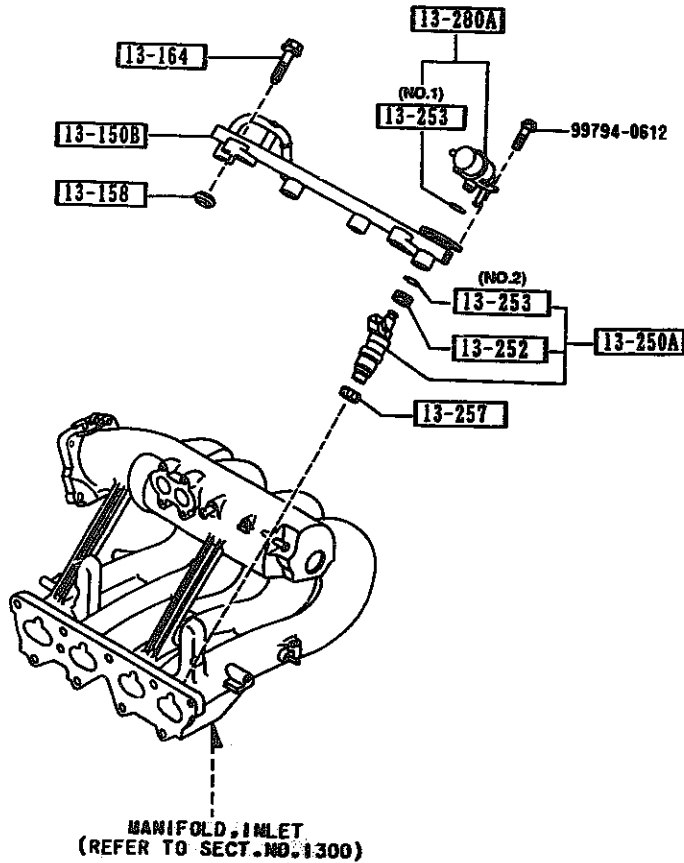
ALMA03

CAT. ALMA03-04

1994-10

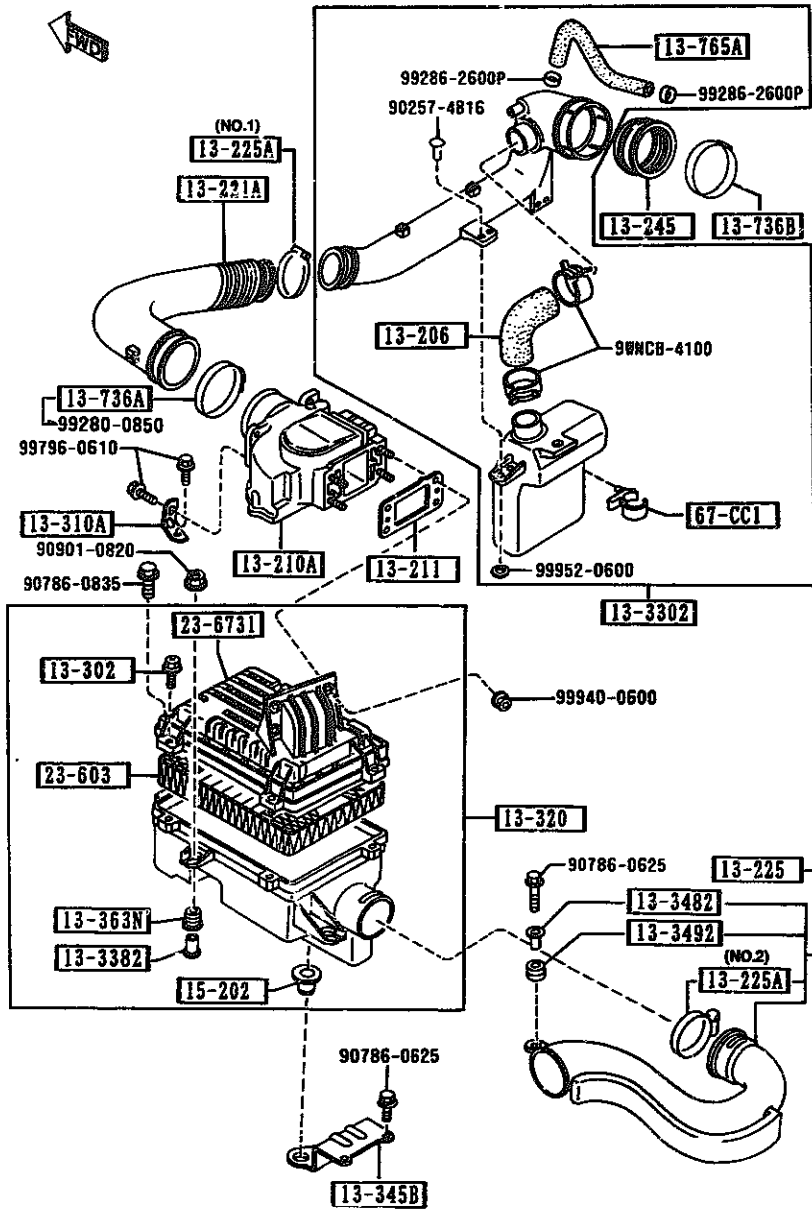
1325 FUEL DISTRIBUTOR

1325 -1 * FUEL DISTRIBUTOR



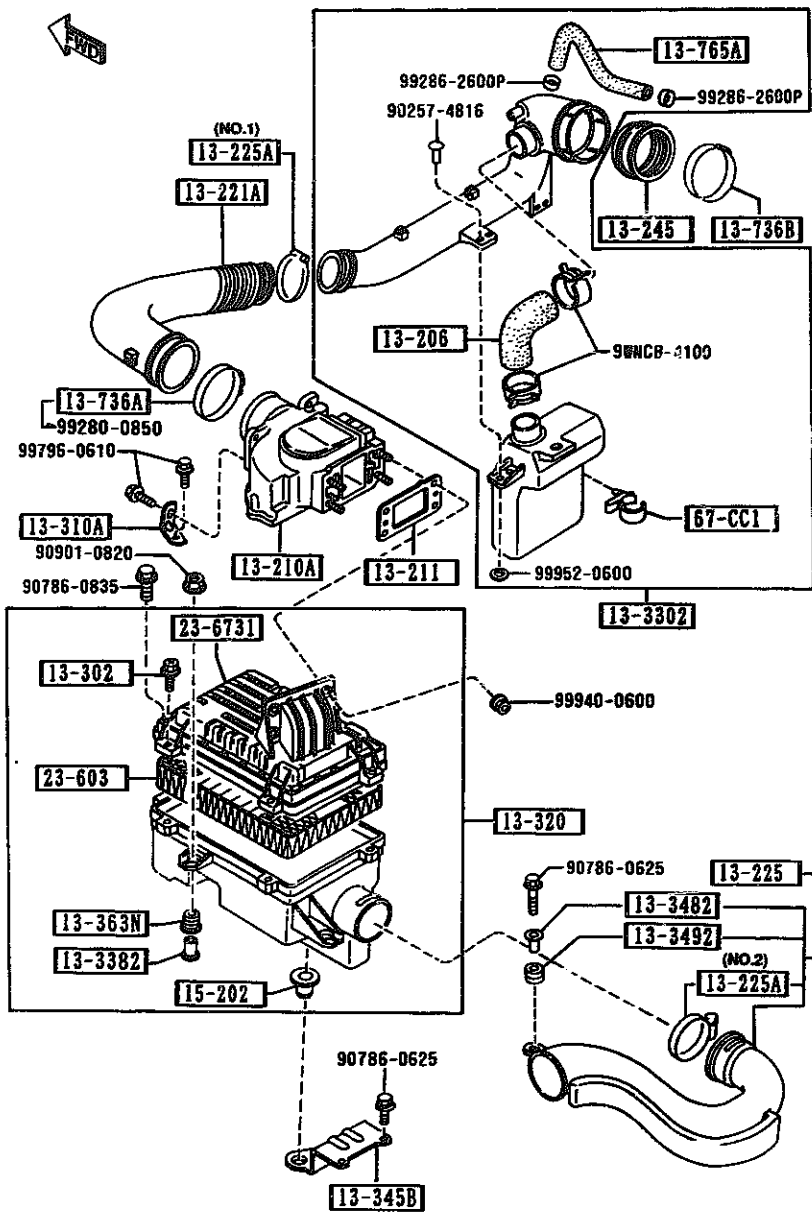
PART NO.	QTY	MODEL/RESTRICTION	MODEL/RESTRICTION	MODEL/RESTRICTION	FROM-TO
13-150B		DISTRIBUTOR, FUEL			
B61P-13-150	1				
13-158		INSULATOR, FUEL DIST.			
B675-13-158	2				
13-164		BOLT, FUEL DISTRIBUTOR			
F883-13-164	2				
13-250A		INJECTION, FUEL-M.P.E. LECT.			
B6S7-13-250	4				
13-252		GROMMET			
8574-13-252	4				
13-253		RING, 'O'			
G601-13-253	1	(ILLUST. NO.1)			
8574-13-253	4	(ILLUST. NO.2)			
13-257		INSULATOR, INJECTION			
JE06-13-257	4				
13-280A		PRESSURE RG., FUEL			
B61P-13-280	1				

1330 AIR CLEANER



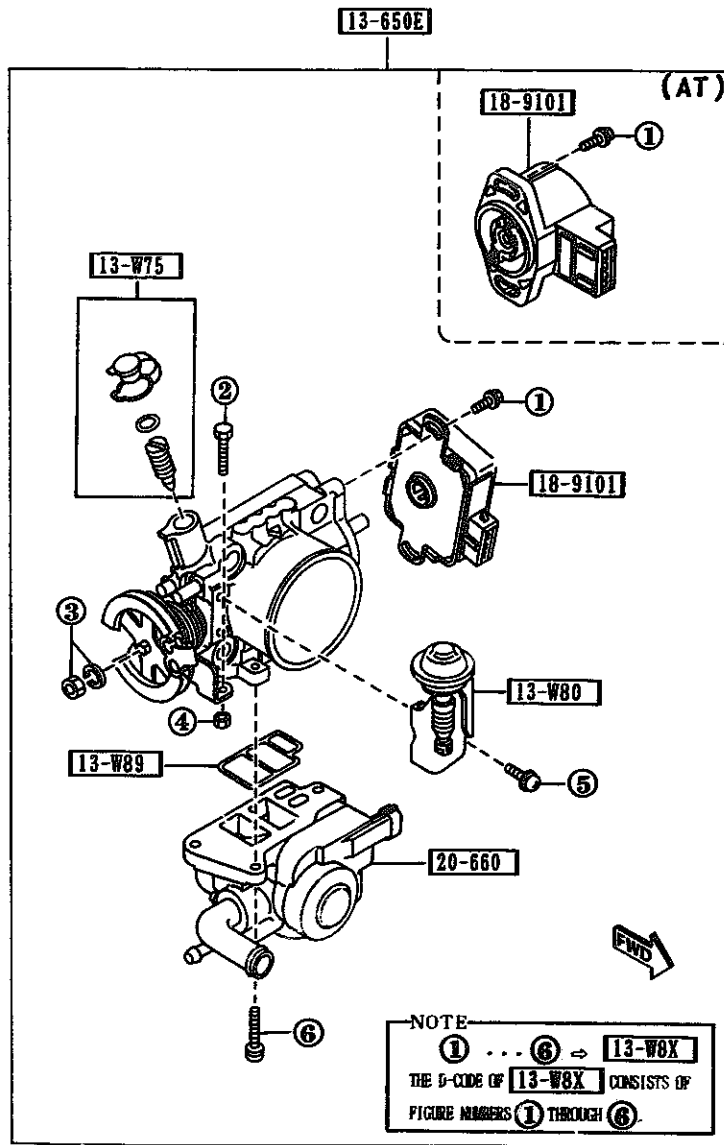
PART NO.	QTY	MODEL/RESTRICTION	MODEL/RESTRICTION	MODEL/RESTRICTION	FROM-TO
13-206		HOSE, AIR			
B61P-13-206A	1				
13-210A		SENSOR, AIR FLOW			
B6S7-13-210A	1				
13-211		GASKET			
B6S7-13-211A	1	NON ASBESTOS			
13-221A		HOSE, AIR			
B61P-13-221B	1				
13-225		DUCT, FRESH AIR			
B61P-13-200C	1				
13-225A		CLAMP, HOSE			
E5A1-13-225	1	(ILLUST. NO.1)			
B61P-13-735	1	(ILLUST. NO.2)			
13-245		JOINT, RUBBER			
B61P-13-245	1				
13-302		BOLT, AIR CLEANER			
F201-13-302A	4				
13-310A		BRKT, AIR FLOW METER			
B61P-13-311B	1				
13-320		HOUSING, AIR CLEANER			
B61P-13-320A	1				
13-3302		TUBE, AIR INTAKE			
B61P-13-330E	1	(AT)			
B64J-13-330	1	(AT)			
13-3382		SPACER			
FE51-13-329	3				
13-345B		BRACKET, AIR CLEANER			
B61P-20-211	1				

1330 AIR CLEANER



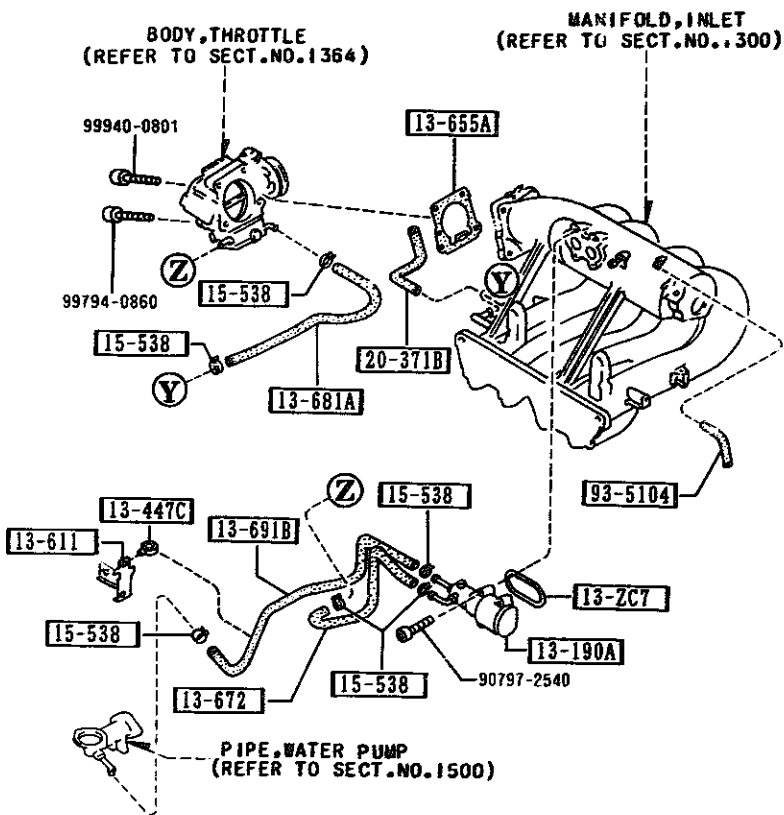
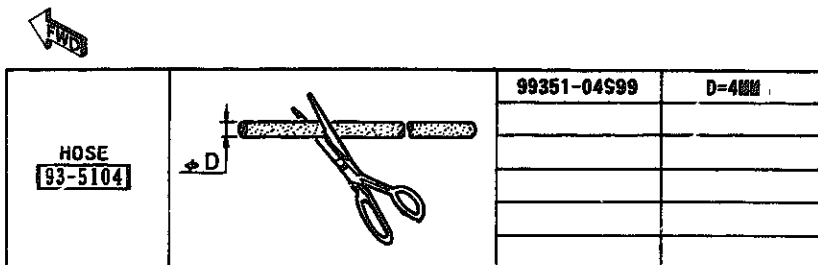
PART NO.	QTY	MODEL/RESTRICTION	MODEL/RESTRICTION	MODEL/RESTRICTION	FROM-TO
13-3482		SPACER,AIR INT.PIPE			
SLA1-13-321	1				
13-3492		INSULATOR			
S501-13-349	1				
13-363N		RUBBER,MOUNTING			
FE51-13-363	3				
13-736A		CLAMP,HOSE-A.I.P./A. CLNR			
B630-13-736	1				-3401
13-736B		CLAMP,HOSE			
F249-13-736	1				
13-765A		HOSE,AIR			
B61R-13-765	1				
15-202		RUBBER,MOUNT			
B61P-13-266	1				
23-603		ELEMENT,AIR CLEANER			
B6S7-15-240	1				
23-6731		COVER,AIR CLEANER			
B61P-13-201	1				
67-CC1		CLIP,HARNES			
NA02-67-CH1	1				

3401 NA351K-418700

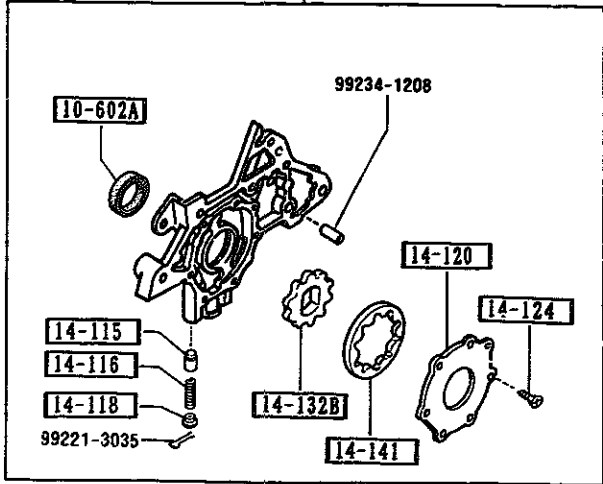
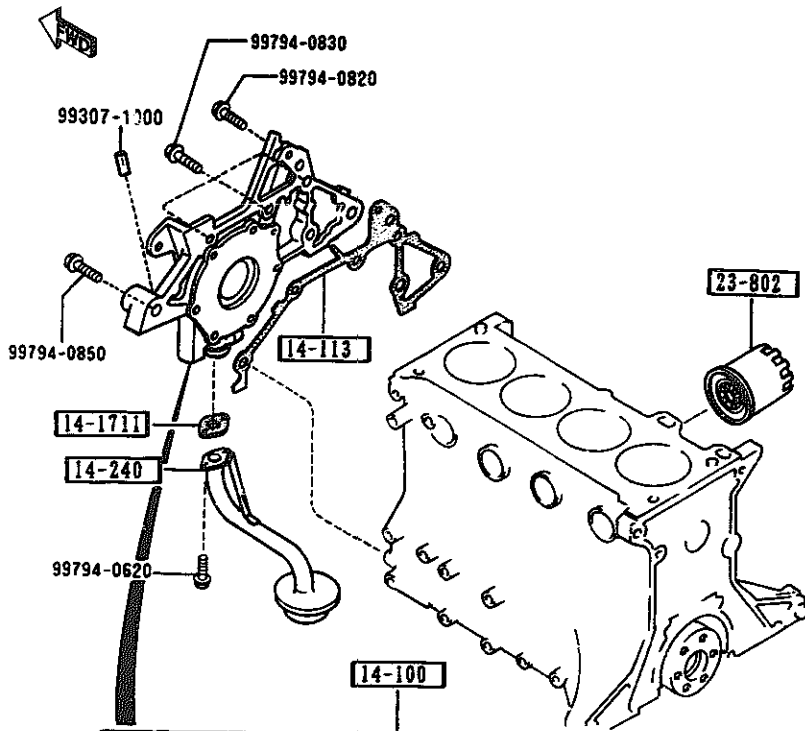


PART NO.	QTY	MODEL/RESTRICTION	MODEL/RESTRICTION	MODEL/RESTRICTION	FROM-TO
13-W75 B551-13-W75A	1	SCREW SET, IDLE ADJUST-TH.			
13-W8X B551-13-W8X	1	SCREW & WASHER SET			
13-W80 B61P-13-W80	1	BRKT SET, DASH POT-TH ROT			
13-W89 B551-13-W89	1	GASKET, THERMD			
13-650E B61P-13-640B B64J-13-640	1 1	BODY, THROTTLE (MT) (AT)			
18-9101 B6S8-18-911 B630-18-911	1 1	SENSOR, THROTTLE POSITION (AT) (MT)			
20-660 B61P-20-660	1	VALVE, IDLE AIR CONTROL			

1370 EMISSION CONTROL SYSTEM (INLET SIDE)



PART NO.	QTY	MODEL/RESTRICTION	MODEL/RESTRICTION	MODEL/RESTRICTION	FROM-TO
13-ZC7		RING, 'O'-AIR VALVE			
B6S7-13-ZC7	1				
13-190A		VALVE, AIR			
B61P-13-190A	1	(MT)			
B64J-13-190	1	(AT)			
13-447C		CLAMP, HOSE			
B61P-13-447	1				
13-611		BRACKET			
B61P-13-685A	1				
13-655A		GASKET			
B6S7-13-655	1	NON ASBESTOS			
13-672		HOSE, WATER			
B61P-13-682A	1				
13-681A		HOSE, WATER			
B61P-13-681B	1				
13-691B		HOSE, WATER			
B61P-13-691A	1				
15-538		CLAMP, WATER HOSE			
JF02-15-538	6				
20-371B		TUBE, VACUUM			
B61P-20-371	1				
93-5104		HOSE			
99351-04999	1				



AUNA03

PART NO.	QTY	MODEL/RESTRICTION	MODEL/RESTRICTION	MODEL/RESTRICTION	FROM-TO
10-602A		SEAL,OIL			
B3C7-10-602A	1	NON ASBESTOS			
14-100		PUMP,OIL			
B6S8-14-100C	1				
14-113		GASKET,OIL PUMP			
B621-14-113	1	NON ASBESTOS			
14-115		PLUNGER,CONTROL			
0221-14-115	1				
14-116		SPRING,PRESSURE			
BPC8-14-116	1				-2A01
A (0324-14-116B)					2A01-
0324-14-116B	1				
14-118		SHEET,SPRING			
0222-14-118	1				
14-120		COVER,OIL PUMP			
B3C7-14-121	1				
14-124		SCREW,OIL PUMP COVER			
FE1H-14-124	7				
14-132B		GEAR,INNER			
B6S7-14-132	1				
14-141		GEAR,OUTER			
B6S7-14-141	1				
14-1711		GASKET,OIL STRAINER			
B621-14-248	1	NON ASBESTOS			
14-240		STRAINER,OIL			
B61P-14-240	1				
23-802		CARTRIDGE,OIL FILTER			

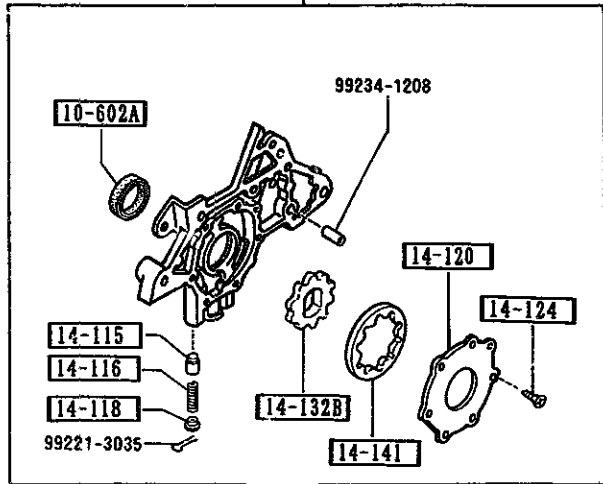
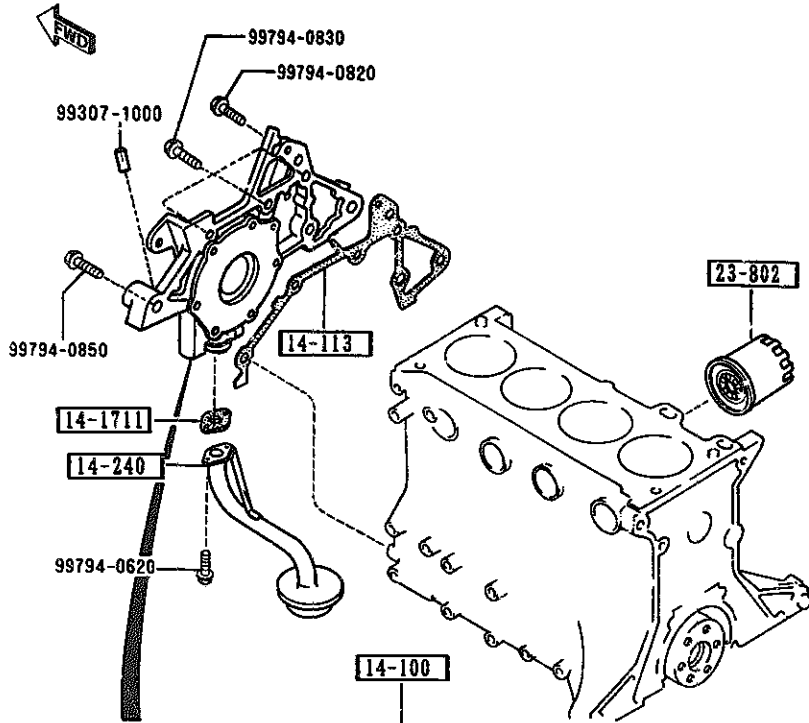
2A01 NA351*403707

CAT. AUNA03-04

1994-10

1400 OIL PUMP & FILTER

1400 -2 * OIL PUMP & FILTER



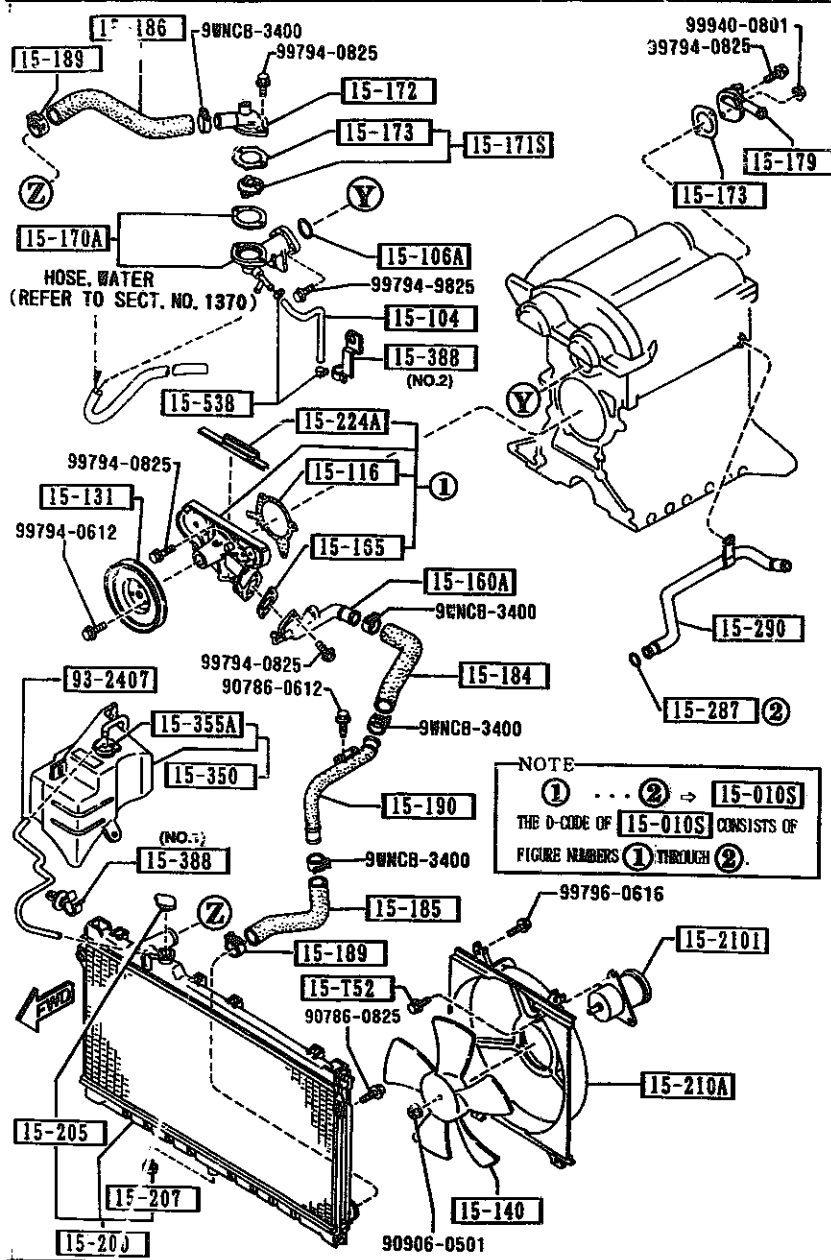
PART NO.	QTY	MODEL/RESTRICTION	MODEL/RESTRICTION	MODEL/RESTRICTION	FROM-TO
CONT'D B6Y1-14-302	1	TOKYO ROKI			

AUNA03

CAT. AUNA03-04

1994-10

1500 COOLING SYSTEM



AUWA03

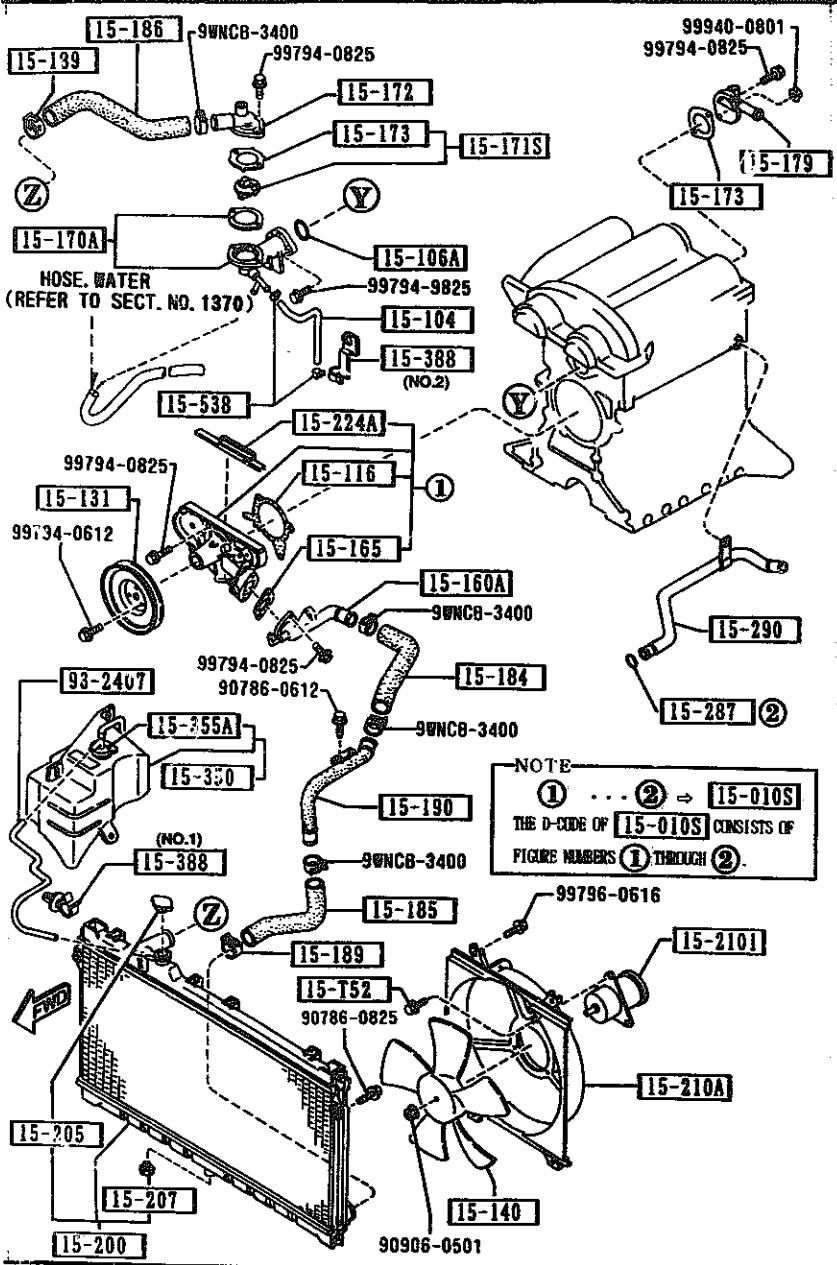
PART NO.	QTY	MODEL/RESTRICTION	MODEL/RESTRICTION	MODEL/RESTRICTION	FROM-TO
15-173	2	GASKET, THERMOSTAT COVER			-3701
B366-15-173 AN(B621-15-173)	2	NON ASBESTOS			3701-
B621-15-173	2	OUTLET, WATER			
15-179	1	HOSE, WATER			
B61P-15-179A	1	HOSE, WATER			
15-184	1	HOSE, WATER			
B61P-15-184	1	HOSE, WATER			
15-185	1	HOSE, WATER			
B61P-15-185	1	HOSE, WATER			
15-186	1	CLAMP, HOSE			
B61P-15-186	2	PIPE, WATER			
15-189	1	RADIATOR			
B366-15-182	1	CALSONIC (MT)			
15-190	1	CALSONIC (AT)			
B61P-15-190	1	CAP, RADIATOR			
15-200	1	CALSONIC			
B61P-15-200B	1	COCK, DRAIN			
B64J-15-200C	1				
15-205	1				
D316-15-205	1				
15-207	1				
N326-15-203	1				
NF01-15-203	1				
15-210A	1				
B61P-15-210B	1				
15-210I	1				

3401 NA351K-418700
3701 NA351K-423706

CAT. AUNA03-04

1994-10

1500 COOLING SYSTEM



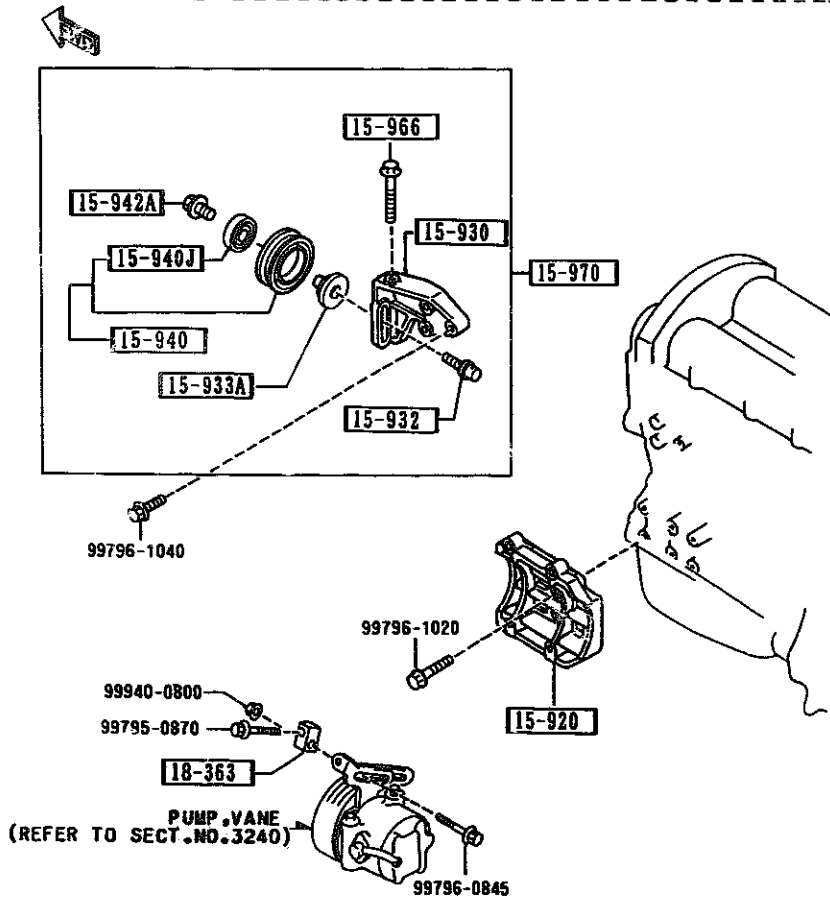
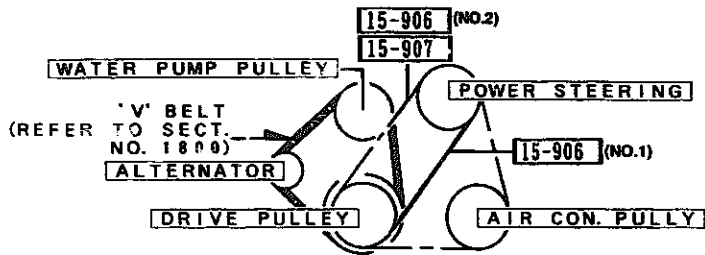
AUNA03

PART NO.	QTY	MODEL/RESTRICTION	MODEL/RESTRICTION	MODEL/RESTRICTION	FROM-TO
CONT'D					
361P-15-150B	1	(MT)			
B64J-15-150A	1	(AT)			
15-224A		RUBBER, SEAL			
B660-10-543B	1				
15-287		RING, 'O'-WATER BYPASS			
E301-15-287	1				
15-290		PIPE, BYPASS			
B61P-15-290B	1				
15-350		TANK, SUB-RADIATOR			
B61P-15-350D	1				
15-355A		CAP, SUB TANK			
B61P-15-355A	1				
15-388		CLIP, HOSE-SUB T. & WATER H			
F201-15-388A	1	(ILLUST. NO.1)			
B61P-15-547	1	(ILLUST. NO.2)			
15-538		CLAMP, WATER HOSE			
JF02-15-538	2				
93-2407		HOSE, WATER			
99324-07610	1				

CAT. AUNA03-04

1994-10

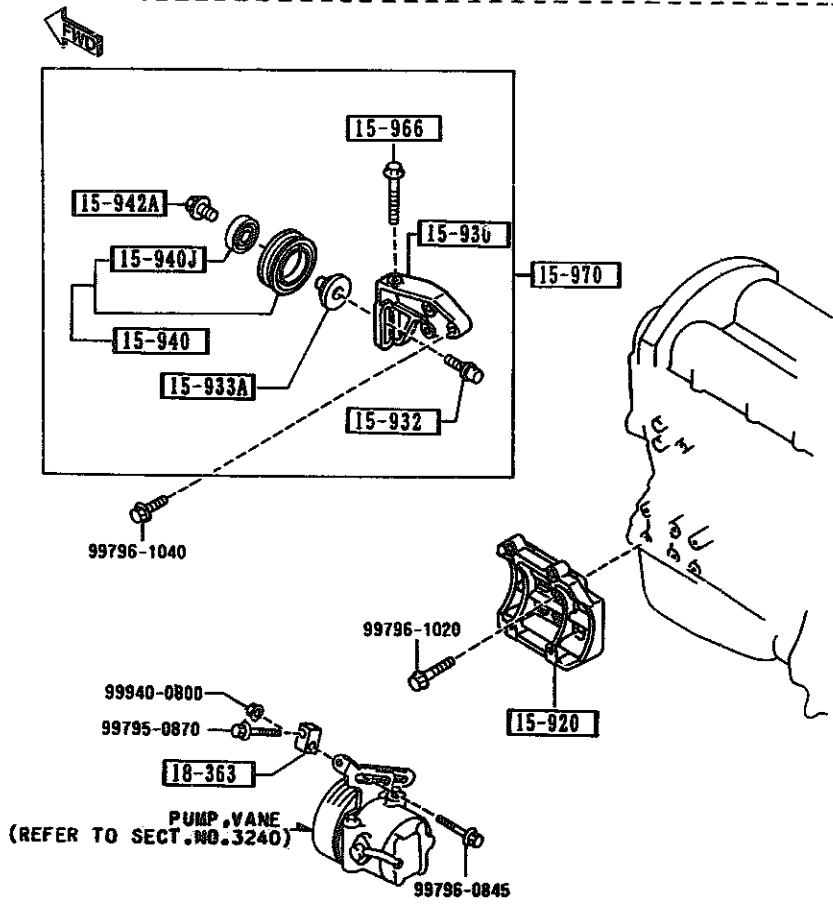
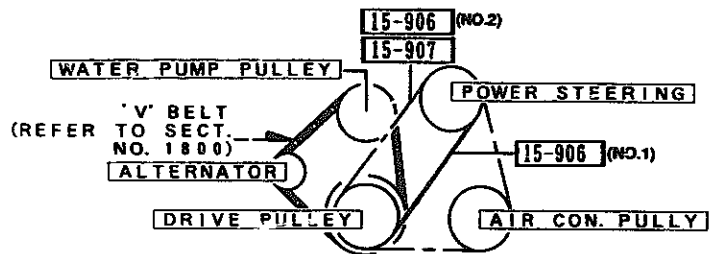
1580 BRACKET, PULLEY & BELT



1580 -1 BRACKET, PULLEY & BELT

PART NO.	QTY	MODEL/RESTRICTION	MODEL/RESTRICTION	MODEL/RESTRICTION	FROM-TO
15-906		BELT 'V'			
B61P-15-907A	1	L=855 4PK RIB. BELT PKG-A, RICO-20TH-ANV (ILLUST. NO.1) (W/POWER STEERING)			
B63H-15-908	1	L=855 4PK RIB.V. ((W/ AIR-CON., W/O P. S.)) (ILLUST. NO.2)			
15-907		BELT 'V'			
B63H-15-909	1	L=955 4PK RIB.V. ((W/ AIR-CON., W/ P. S.))			
15-920		BRACKET, COMPRESSOR			
B61P-15-810A	1	(A) (W/AIR CON.)			
15-930		BRACKET, IDLE PULLEY			
BP01-15-951	1	(A) ((W/ AIR-CON., W/O P. S.))			
15-932		SHAFT, PULLEY			
B631-15-932	1	(A) ((W/ AIR-CON., W/O P. S.))			
15-933A		COLLAR			
BP01-15-933	1	(A) ((W/ AIR-CON., W/O P. S.))			
15-940		PULLEY, IDLE			
BP01-15-940	1	(A) ((W/ AIR-CON., W/O P. S.))			
15-940J		BEARING			
*99606-83020	1				
15-942A		COLLAR			
E564-15-942	1	(A) ((W/ AIR-CON., W/O P. S.))			
15-966		BOLT, ADJUST			
E564-15-934		(A)			

1580 BRACKET, PULLEY & BELT



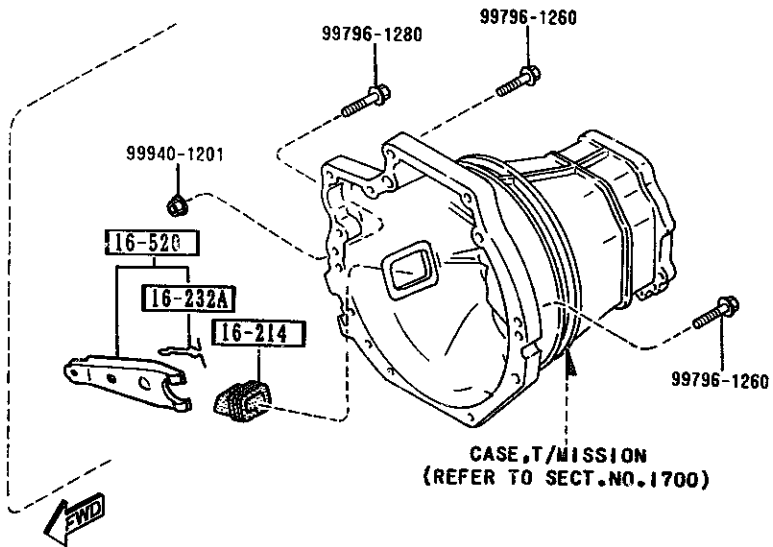
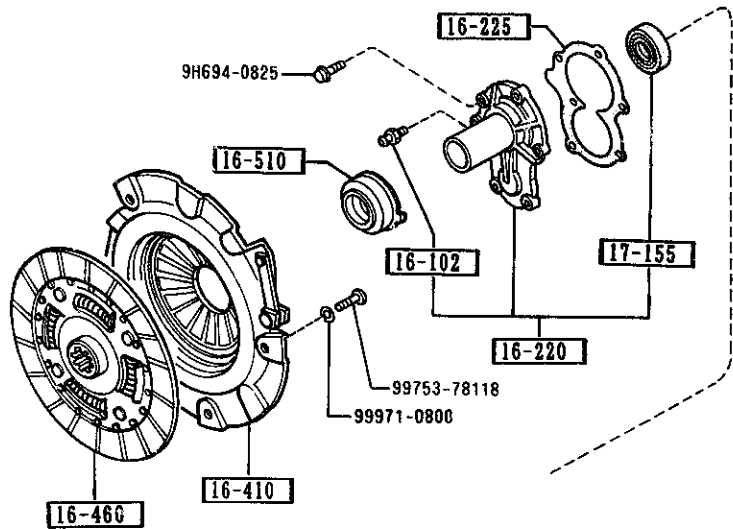
1580 -2 * BRACKET, PULLEY & BELT

PART NO.	QTY	MODEL/RESTRICTION	MODEL/RESTRICTION	MODEL/RESTRICTION	FROM-TO
CONT'D					
	1	((W/ AIR-CON., W/O P. S.))			
15-970		PULLEY, IDLE			
BP01-15-930	1	((W/ AIR-CON., W/O P. S.))			
18-363		SPACER, STRAP			
F201-18-363	1	PKG-A, RICO-20TH-ANY (W/POWER STEERING)			-3506
FP02-18-363	1	PKG-A, RICO-20TH-ANY (W/POWER STEERING)			3506-

3506 NA351K-420224

1600 CLUTCH DISC & COVER (MANUAL)

1600 -1 * CLUTCH DISC & COVER (MANUAL)



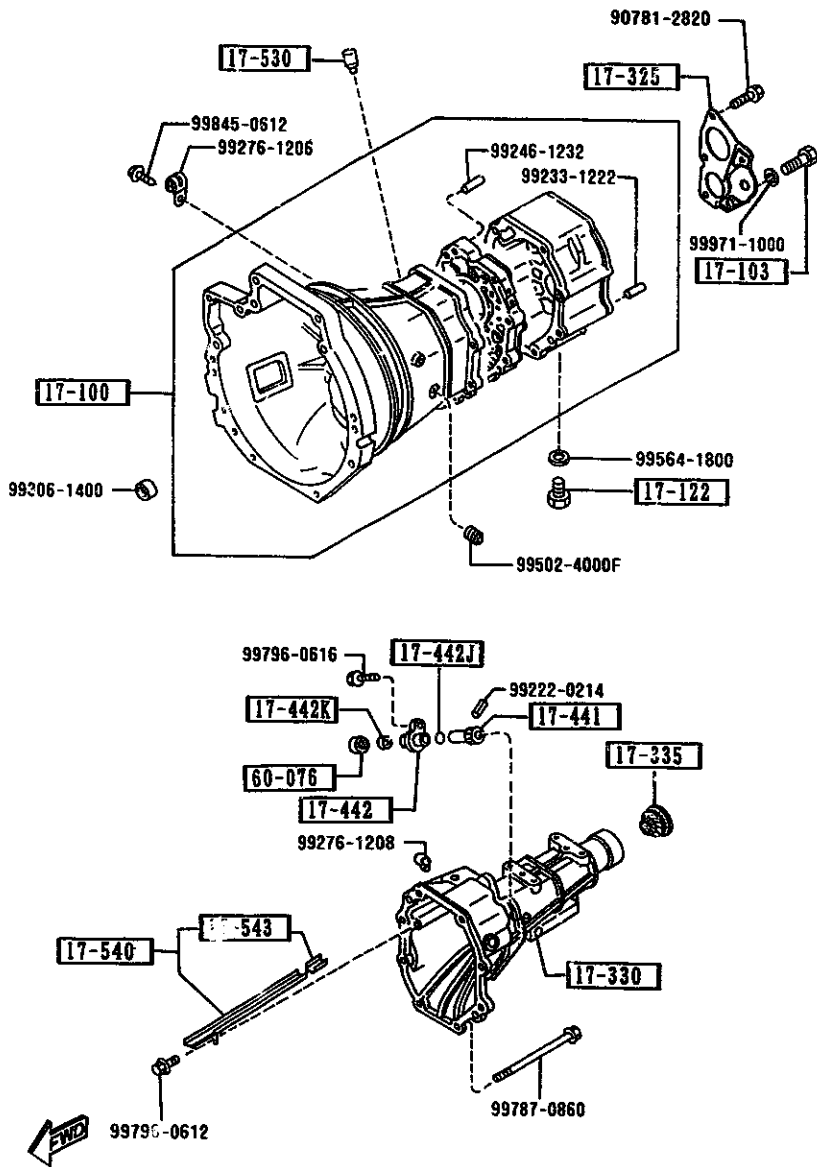
PART NO.	QTY	MODEL/RESTRICTION	MODEL/RESTRICTION	MODEL/RESTRICTION	FROM-TO
16-102		PIN, PIVOT-CLUTCH REL			
0603-16-102B	1	FORK			
16-214		COVER, DUST-CLUTCH FO			
FE86-16-214	1	RK			
16-220		COVER, FRONT CLUTCH			
B622-16-220	2				
16-225		GASKET, FRONT COVER			
FE50-16-225A	1				
16-232A		SUPPORTER, FORK			
1416-16-232A	1				
16-410		COVER, CLUTCH			
B622-16-410	1				
16-460		DISC, CLUTCH			
B630-16-460	1	NON ASBESTOS			
16-510		COLLAR, CLUTCH REL.			
B622-16-510	1				
16-520		FORK, CLUTCH RELEASE			
B622-16-520	1				
17-155		SEAL, OIL			
H501-17-103	1				

AUNA03

CAT. AUNA03-04

1994-10

1700 TRANSMISSION CASE (MANUAL)



PART NO.	QTY	MODEL/RESTRICTION	MODEL/RESTRICTION	MODEL/RESTRICTION	FROM-TO
CONT'D 8092-60-076A	1				-3401
3401 NA351K-418700					

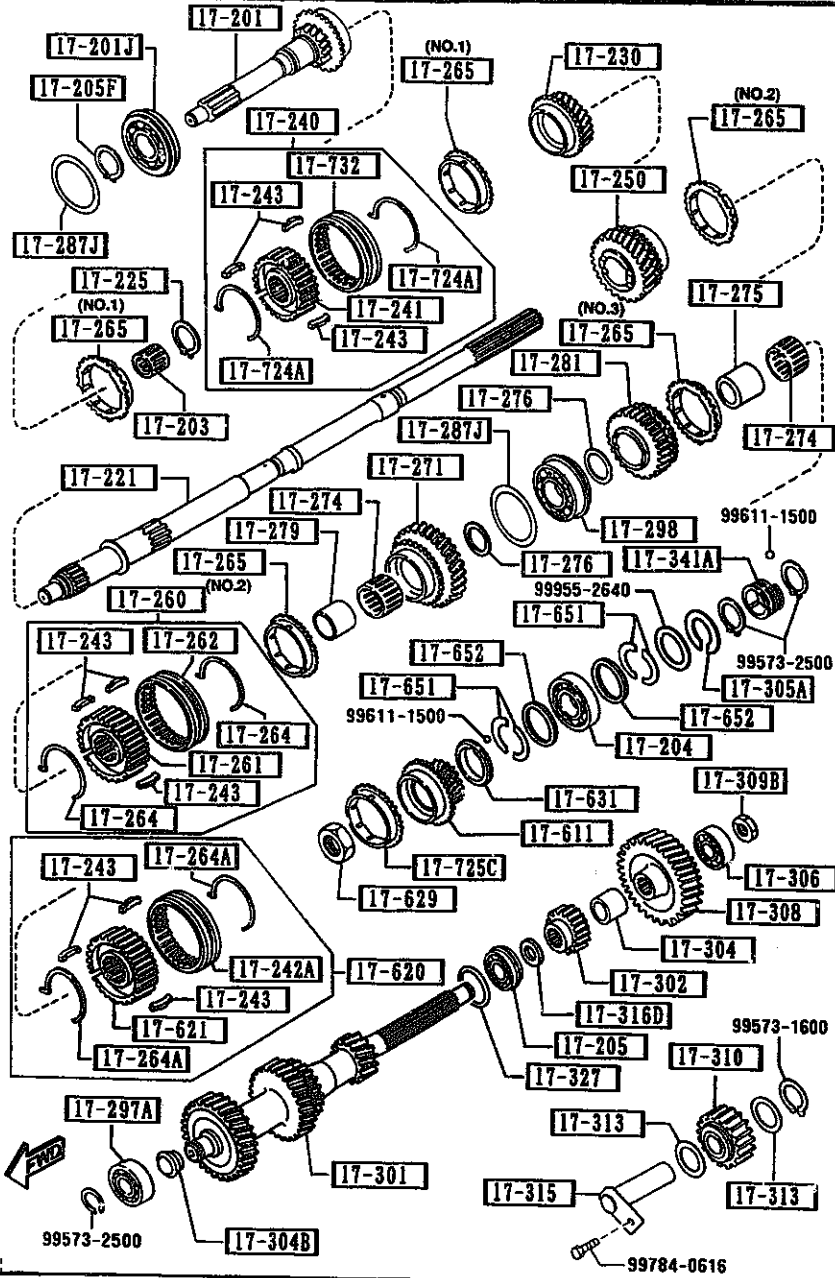
AUNA03

CAT. AUNA03-04

1994-10

1710 TRANSMISSION GEARS(MANUAL)

1710 -1 TRANSMISSION GEARS(MANUAL)



AUNA03

PART NO.	QTY	MODEL/RESTRICTION	MODEL/RESTRICTION	MODEL/RESTRICTION	FROM-TO
17-201		GEAR,MAIN DRIVE			
M516-17-201	1				
17-201J		BEARING,BALL-MAIN DRIVE GEAR			
M502-17-295C	1				
17-203		BEARING,NEEDLE			
M501-17-210A	1				
17-204		BEARING,BALL-MAIN SHAFT			
M503-17-204	1				
17-205		BEARING,ROLLER			
R502-17-306A	1				
17-205F		RING,RETAINING			
M501-17-205	1				
17-221		SHAFT,MAIN			
M505-17-221B	1				
17-225		RING,SNAP			
O317-17-225	1				
17-230		GEAR,3RD			
M513-17-231	1				
17-240		HUB SET,CLUTCH-3RD & 4TH			
M502-17-240D	1				
M502-17-240E	1				
17-241		HUB,CLUTCH			
M501-17-241C	1				
17-242A		SLEEVE,CLUTCH HUB			
F401-17-242A	1				
17-243		KEY,SYNCHRONIZER			
F401-17-243A	9				
3201 NA351R-413071					

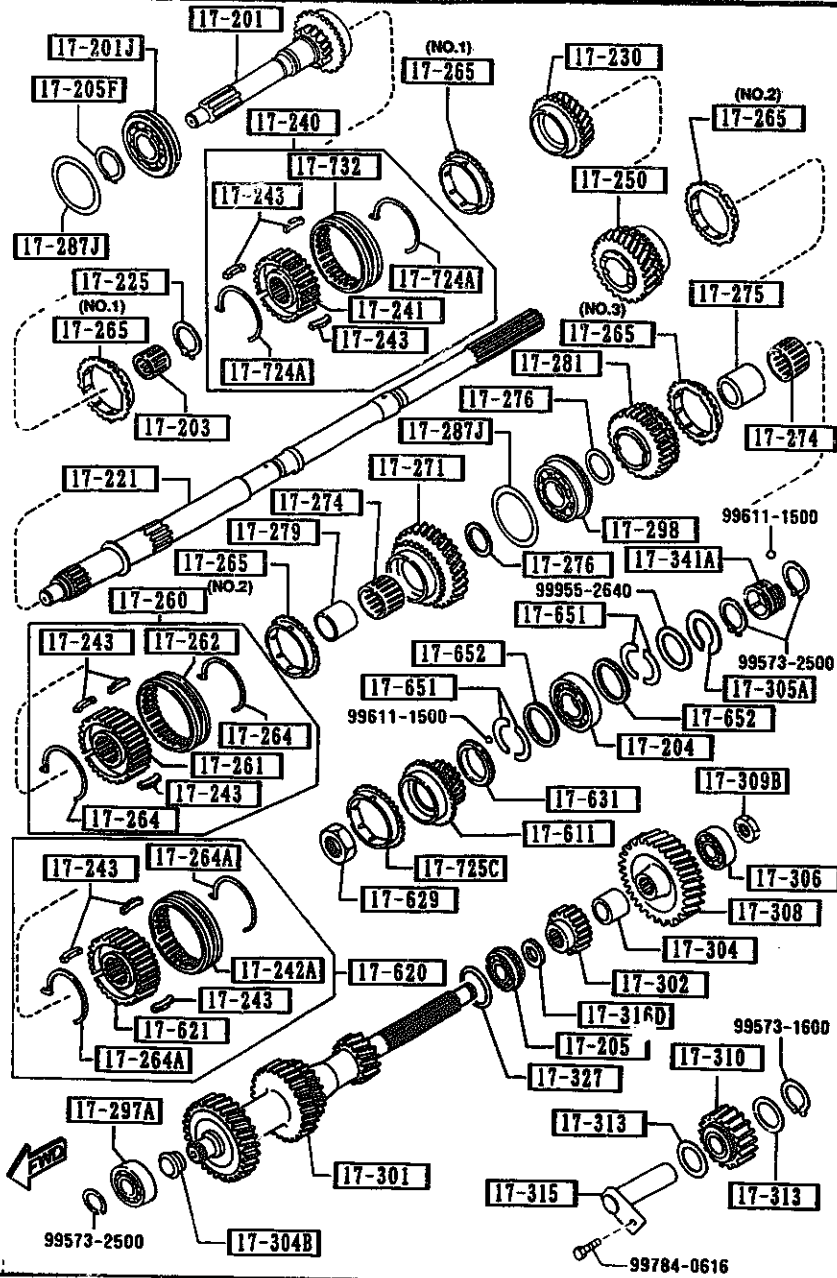
-3201
3201-

CAT. AUNA03-04

1994-10

1710 TRANSMISSION GEARS(MANUAL)

1710 -2 TRANSMISSION GEARS(MANUAL)



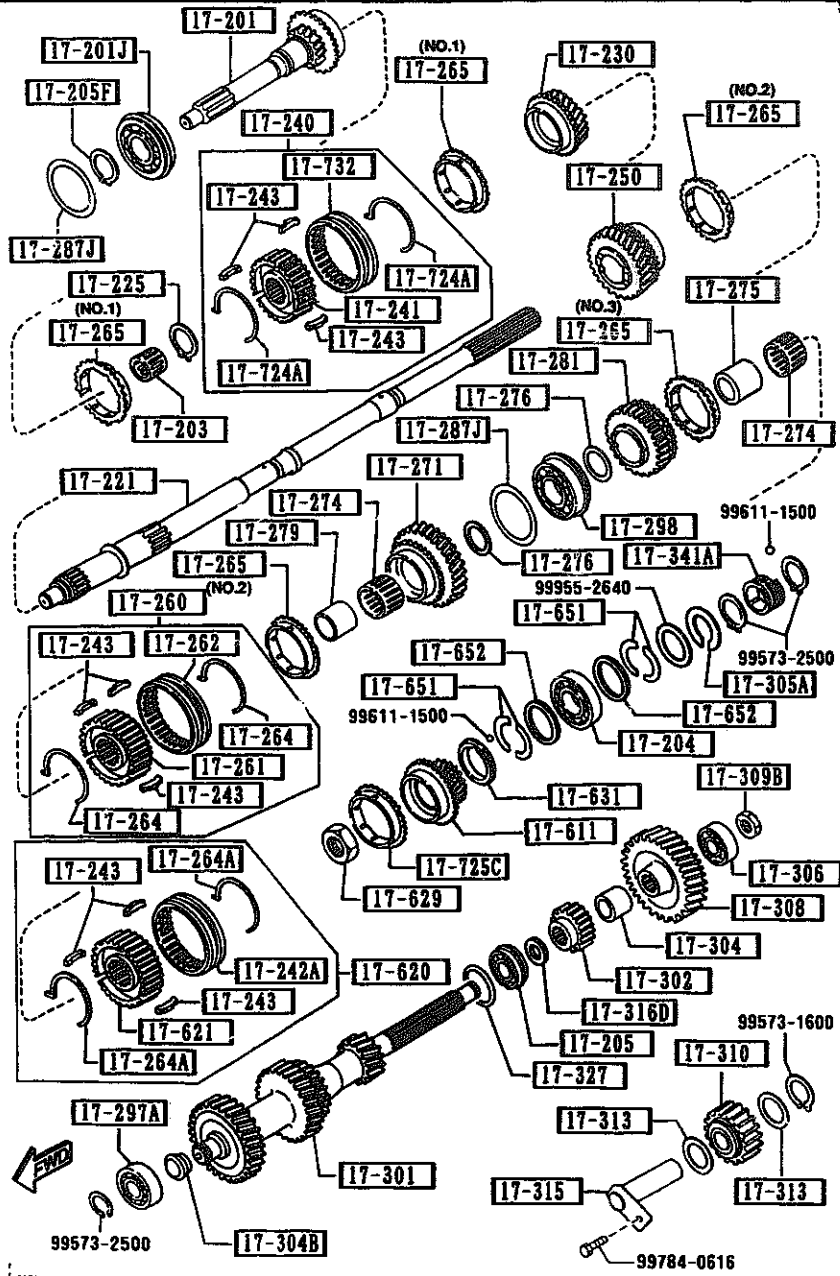
PART NO.	QTY	MODEL/RESTRICTION	MODEL/RESTRICTION	MODEL/RESTRICTION	FROM-TO
17-250		GEAR, 2ND			
M515-17-251A	1				
17-260		HUB SET, CLUTCH-1ST & 2ND			
M505-17-260C	1				-3201
M505-17-260D	1				3201-
17-261		HUB, CLUTCH			
M502-17-261	1				
17-262		SLEEVE, CLUTCH HUB			
M503-17-262B	1				-3201
M503-17-262C	1				3201-
17-264		SPRING, SYNCHRO. KEY			
G401-17-264	2				
17-264A		SPRING, SYNCHRONIZER			
F401-17-264A	2				
17-265		RING, SYNCHRONIZER			
G501-17-265A	2 (ILLUST. NO. 1)				
M502-17-265C	2 (ILLUST. NO. 2)				
M504-17-265A	1 (ILLUST. NO. 3)				
17-271		GEAR, 1ST			
M516-17-271A	1				
17-274		BEARING, NEEDLE			
4069-17-283A	2				
17-275		RACE, INNER			
4069-17-284E	1				
17-276		WASHER, THRUST			
0259-17-274A	2	T=3MM			
0259-17-276	2	T=2.2MM			
0259-17-277	2	T=2.7MM			
3201 NA351#-413071					

AUNA03

CAT. AUNA03-04

1994-10

1710 TRANSMISSION GEARS(MANUAL)



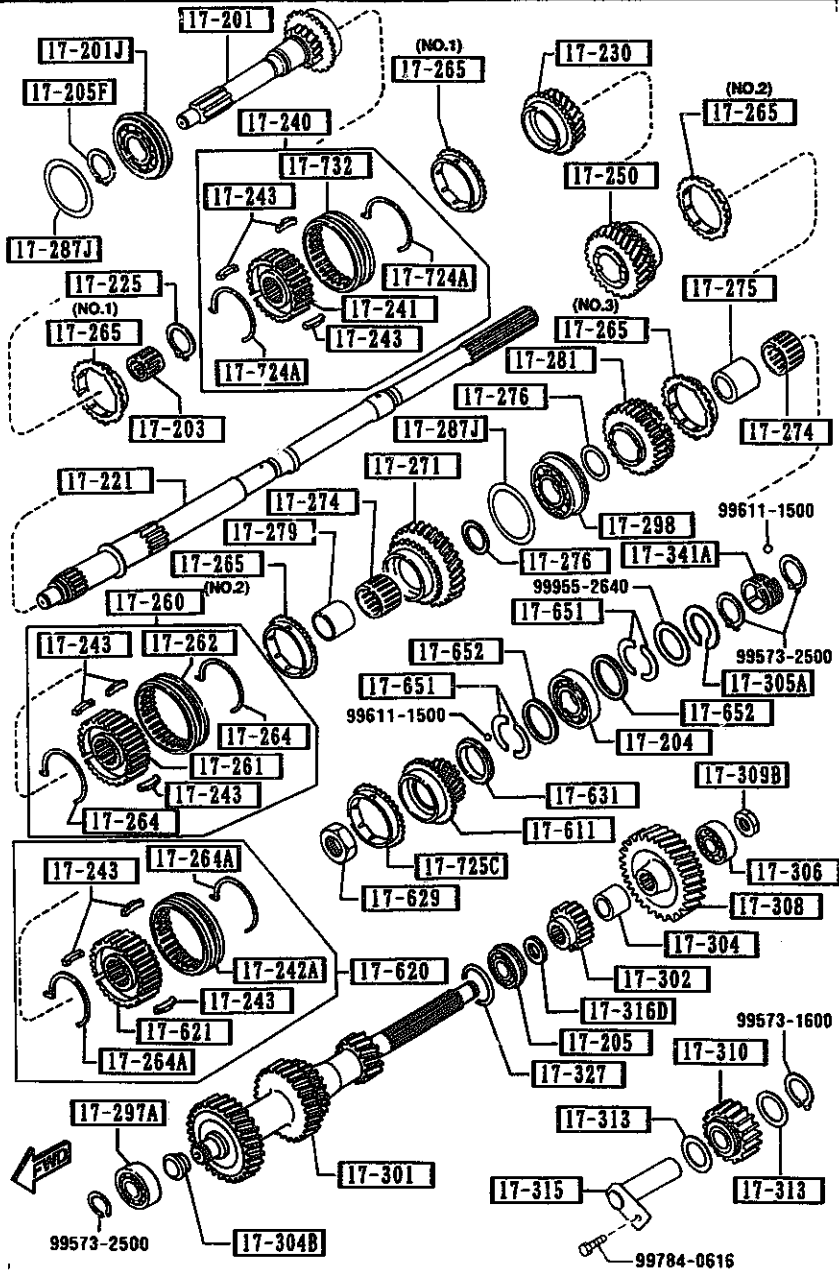
PART NO.	QTY	MODEL/RESTRICTION	MODEL/RESTRICTION	MODEL/RESTRICTION	FROM TO
CONT'D					
0259-17-278	1	T=3.2MM			
0259-17-279	2	T=3.7MM			
17-279		SLEEVE, GEAR			
8540-17-275A	1				
17-281		GEAR, REVERSE			
M513-17-281	1				
17-287J		SHIM, ADJUST			
99963-6310	2	T=0.1MM			
99963-6315	1	T=0.15MM			
99963-6330	2	T=0.3MM			
17-297A		BEARING, BALL-COUNTER SHAFT G.			
M502-17-297A	1				
17-298		BEARING			
M502-17-298A	1				
17-301		GEAR, COUNTER SHAFT			
M528-17-301 A (M528-17-301A)	1				-3701
M528-17-301A	1				3701-
17-302		GEAR, COUNTER REVERSE			
M516-17-302	1				
17-304		SPACER			
M504-17-304	1				
17-304B		SPACER			
M501-17-304B	1				-3701
17-305A		RING, RETAINING-BALL BEARING			
0839-17-305B	1				
3701 NA351*-423706					

AUNA03

CAT. AUNA03-04

1994-10

1710 TRANSMISSION GEARS(MANUAL)



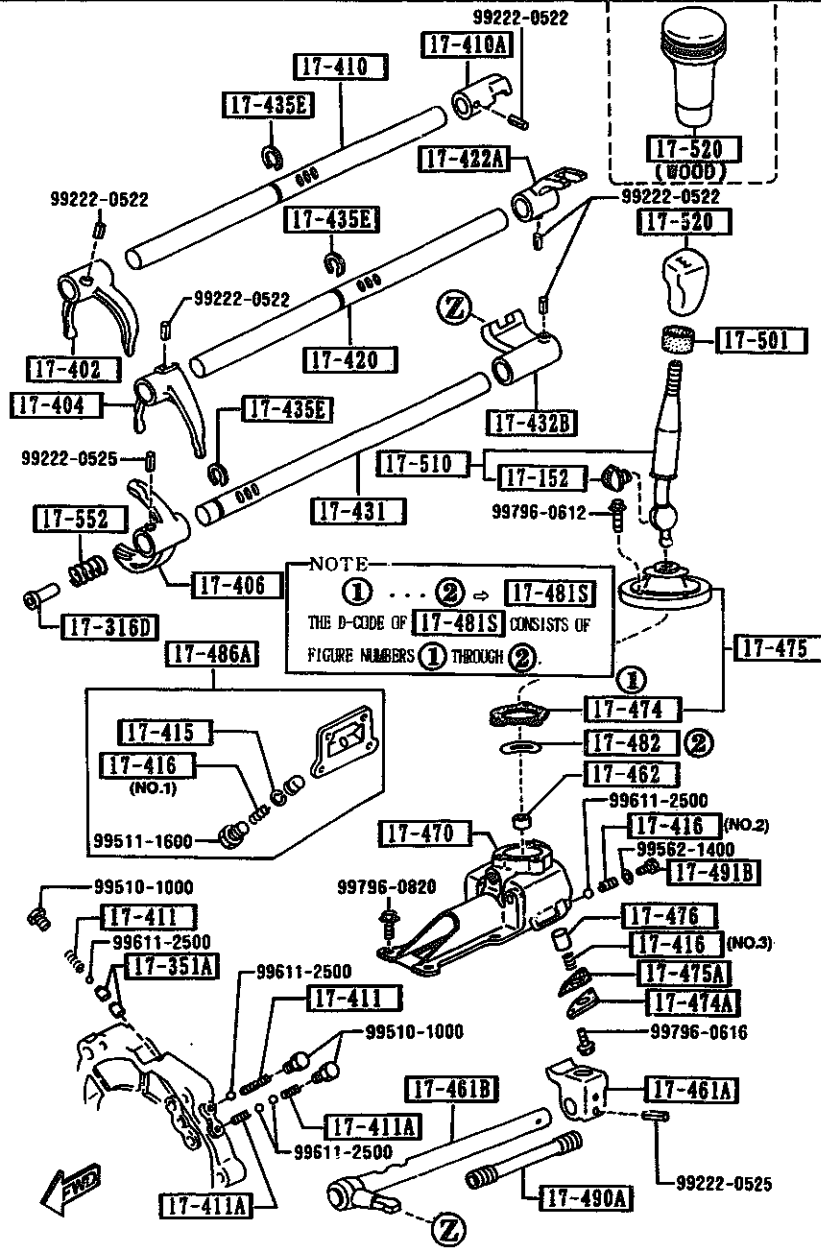
PART NO.	QTY	MODEL/RESTRICTION	MODEL/RESTRICTION	MODEL/RESTRICTION	FROM-TO
17-306		BEARING, BALL			
M502-17-299A	1				
17-308		GEAR, COUNTER			
M510-17-308	1				
17-309B		NUT, LOCK-COUNTER SHAFT BR			
M501-17-309	1				
17-310		GEAR, REVERSE IDLE			
M513-17-310	1				
17-313		WASHER, THRUST-REVERSE IDLE G. T=2.9MM			
M501-17-313	2				
17-315		SHAFT, REV. IDLE GEAR			
M501-17-140	1				
17-316D		SPACER			
R502-17-316	1				
17-327		SHIM, ADJUST-COUNTER SHAFT GEAR T=0.1MM			
0305-17-327	2				
0305-17-328	1	T=0.3MM			
17-341A		GEAR, SPEEDO.DRIVE			
M503-17-341	1				
17-611		GEAR, OVER TOP			
M517-17-611	1				
17-620		HUB SET, CLUTCH-D.T. & REV			
M505-17-620	1				
17-621		HUB, CLUTCH			
M505-17-621	1				
17-629		NUT, LOCK-CLUTCH HUB			
8601-17-629	1				

AUNA03

CAT. AUNA03-04

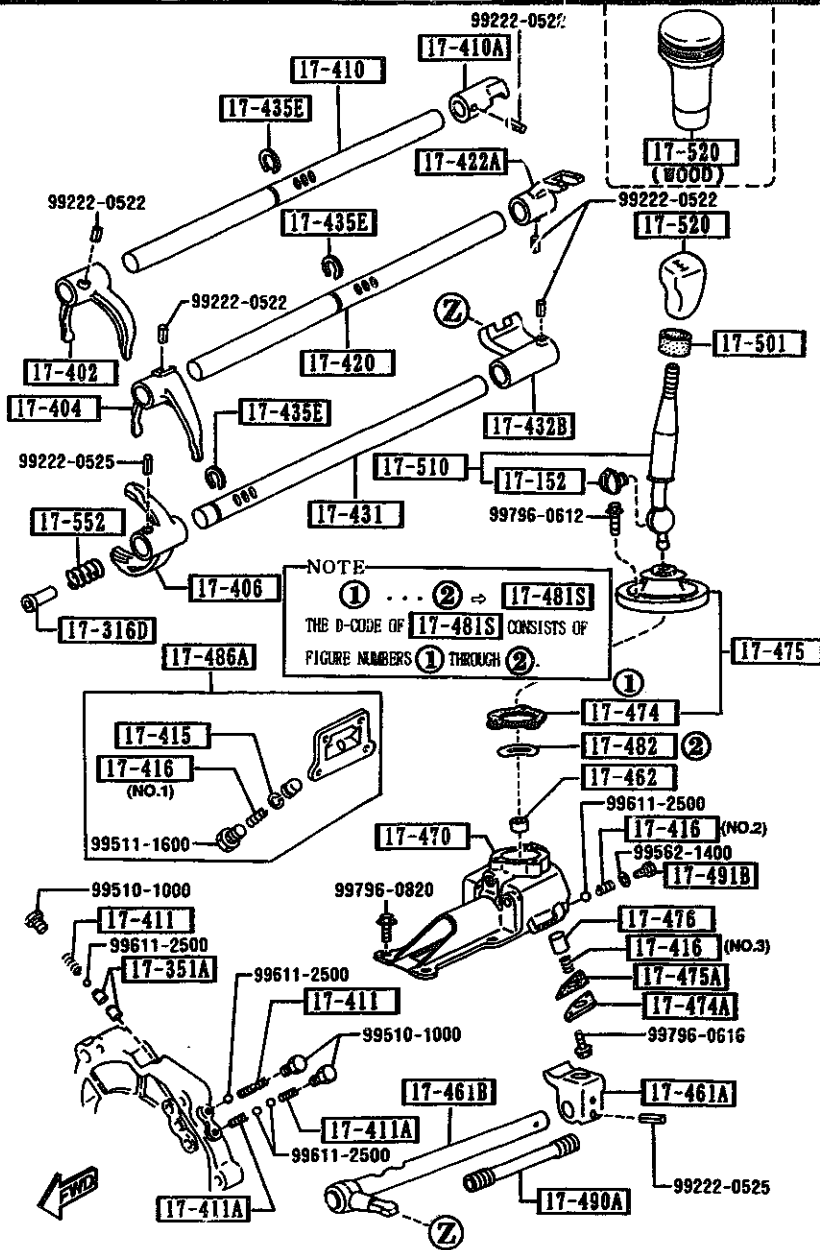
1994-10

1720 CHANGE CONTROL SYSTEM (MANUAL)



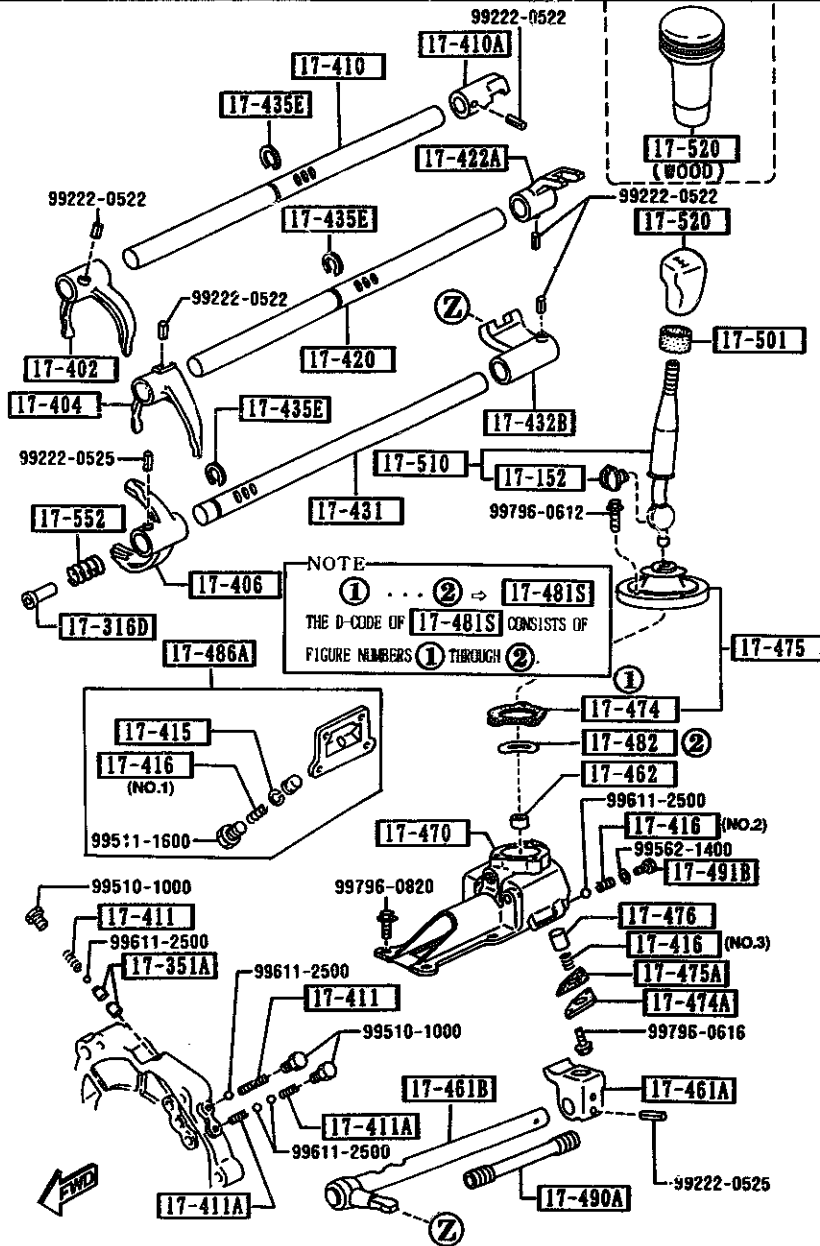
PART NO.	QTY	MODEL/RESTRICTION	MODEL/RESTRICTION	MODEL/RESTRICTION	FROM-TO
17-152		BUSH			
M501-17-515	1				
17-316D		SPACER			
M504-17-316	1				
17-351A		PIN, INTER LOCK			
0114-17-351	2				
17-402		FORK, SHIFT (1ST&2ND)			
M503-17-402	1				
17-404		FORK, SHIFT (3RD&4TH)			
M501-17-404B	1				
17-406		FORK, SHIFT			
M504-17-406A	1				
17-410		ROD, SHIFT (1ST&2ND)			
M503-17-411	1				
17-410A		END, S/ROD (1ST&2ND)			
M507-17-412	1				
17-411		SPRING, SHIFT ROD 5TH & REVERSE			
0103-17-411	2				
17-411A		SPRING, SHIFT ROD-REV ERSE			
0014-17-411	2				
17-415		RING, RETAINING-SHIFT ROD END			
3648-17-415	1				
17-416		SPRING, SHIFT ROD END			
M501-17-416	1	(ILLUST. NO.1)			
M504-17-416	1	(ILLUST. NO.2)			
M505-17-416	1	(ILLUST. NO.3)			
17-420		ROD, SHIFT (3RD&4TH)			
M503-17-421	1				

1720 CHANGE CONTROL SYSTEM (MANUAL)



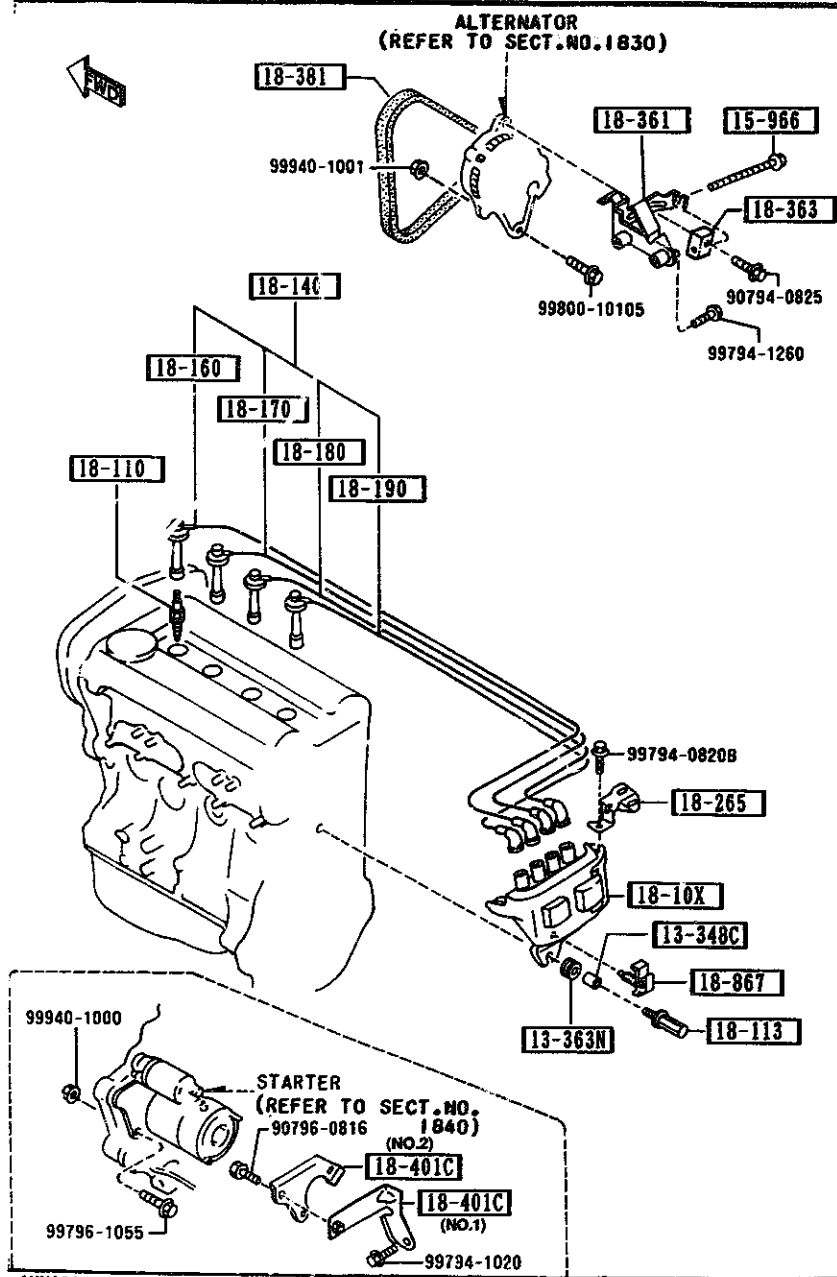
PART NO.	QTY	MODEL/RESTRICTION	MODEL/RESTRICTION	MODEL/RESTRICTION	FROM-TO
17-422A		END.S/ROD(3RD&4TH)			
M507-17-422	1				
17-431		ROD,SHIFT-OVER TOP & REVERSE			
M506-17-431A	1				
17-432B		END,SHIFT ROD(O.TOP&REV.)			
M508-17-432	1				
17-435E		RING,RETAINING			
R502-17-435	3				
17-461A		END,CONTROL LEVER			
M508-17-461	1				-3601
M508-17-461A	1				3601-
17-461B		ROD,CONTROL			
M516-17-450	1				-3601
M516-17-450A	1				3601-
17-462		SHEET,SPRING			
0398-17-462A	1				
17-470		CASE,CHANGE CONTROL			
M510-17-470C	1				
17-474		GASKET,COVER PLATE			
0305-17-474	1				
17-474A		CAP,SPRING			
M501-17-474	1				
17-474J		SHIM,ADJUST			
99963-3330	1	T=0.3MM			
17-475		BOOT,DUST-CHANGE LEVER			
M514-17-480A	1				-3201
M513-17-480A	1				3201-
3201 NA351*-413071 3601 NA351*-422220					

1720 CHANGE CONTROL SYSTEM (MANUAL)



PART NO.	QTY	MODEL/RESTRICTION	MODEL/RESTRICTION	MODEL/RESTRICTION	FROM-TO
17-475A		GASKET, SPRING CAP			
M501-17-475	1				
17-476		SPINDLE, SELECT LOCK			
M502-17-476A	1				
17-481S		BUSH SET, CHANGE LEVER			
M505-99-178	1				
17-482		WASHER, WAVE-CHANGE CONTROL CASE			
M505-17-482	1				
17-486A		COVER, BLIND			
R501-17-47X	1				
17-490A		COVER, ROD			
M504-17-490A	1				
17-491B		CAP, SPRING			
0183-17-491	1				
17-501		INSULATOR, CHG LEVER			
M501-17-501	1				
17-510		LEVER, CHANGE			
M524-17-510B AN(M524-17-510C)	1				- 3201
M524-17-510C	1				3201-
17-520		KNOB, CHANGE LEVER			
M515-17-520	1	BASE, (URETHANE)			
00	INT-	NA0 NA1 NA2 BLACK			
M517-17-520	1	OPT, (WOOD)			
M518-17-520A	1	PKG-C, RICO-20TH-ANV SPECIAL-ED, (LEATHER)			
17-552		SPRING			
M504-17-552	1				
3201 NA351*-413571					

1800 ENGINE ELECTRICAL SYSTEM



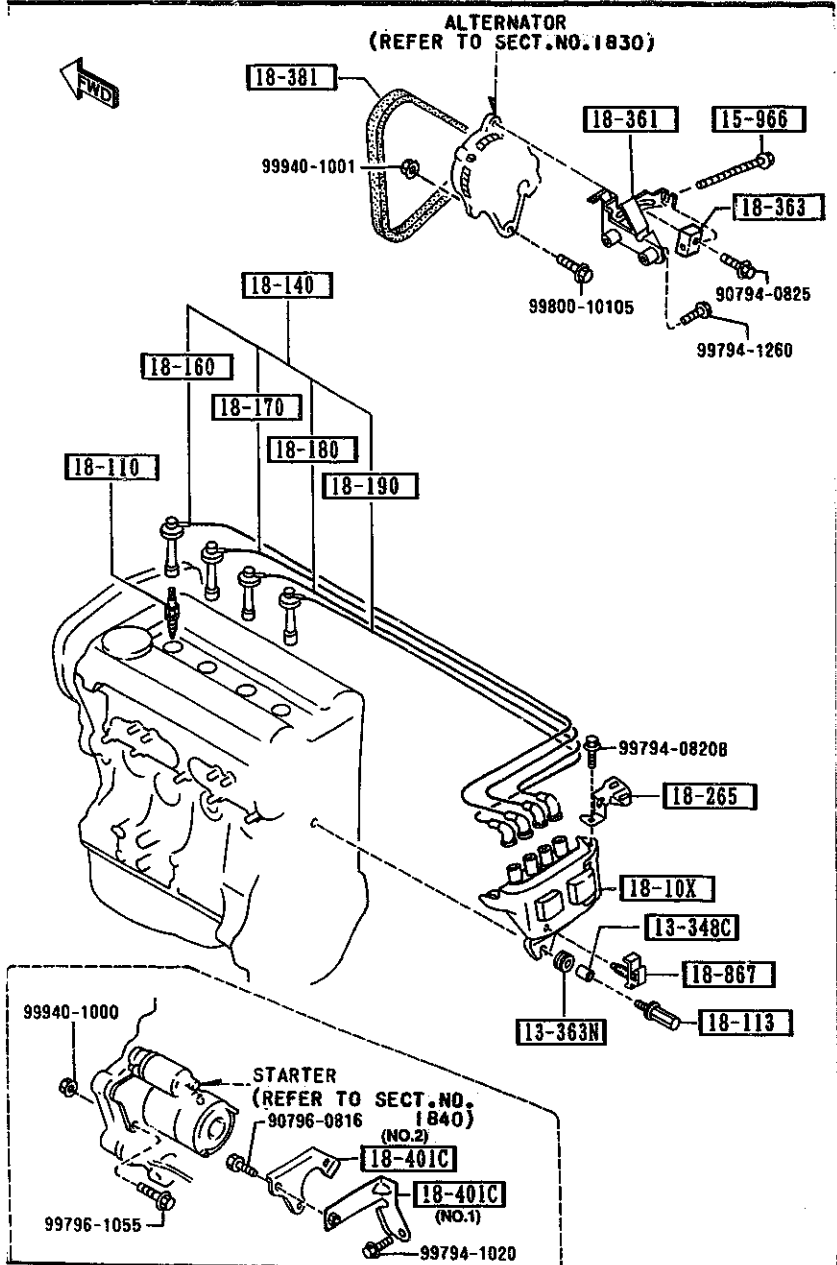
AUNA03

PART NO.	QTY	MODEL/RESTRICTION	MODEL/RESTRICTION	MODEL/RESTRICTION	FROM-TO
13-348C		SPACER			
B61P-13-348	1				
13-363N		RUBBER, MOUNTING			
B61P-13-363A	1				
15-966		BOLT, ADJUST			
FE38-15-966	1				
18-10X		COIL & IGNITER			
B61P-18-10XD	1				
18-110		PLUG, SPARK			
BP01-18-110	4	BKR5E-11 NGK (STD.)			
BP02-18-110	4	K16PR-U11 ND (STD.)			
BP03-18-110	4	BKR6E-11 NGK (OPTION COLD TYPE)			
BP04-18-110	4	K20PR-U11 ND (OPTION COLD TYPE)			
BP05-18-110	4	BKR7E-11 NGK (OPTION COLD TYPE)			
BP06-18-110	4	K22PR-U11 ND (OPTION COLD TYPE)			
18-113		BOLT			
B61P-18-1A5A	1				
18-140		CORD SET, HI. TENSION			
B61P-18-140C	1				
18-160		CORD NO. 1, HI. TENSION			
B61P-18-160C	1				
18-170		CORD NO. 2, HI. TENSION			
B61P-18-170B	1				
18-180		CORD NO. 3, HI. TENSION			
B61P-18-180B	1				
18-190		CORD NO. 4, HI. TENSION			

CAT. AUNA03-04

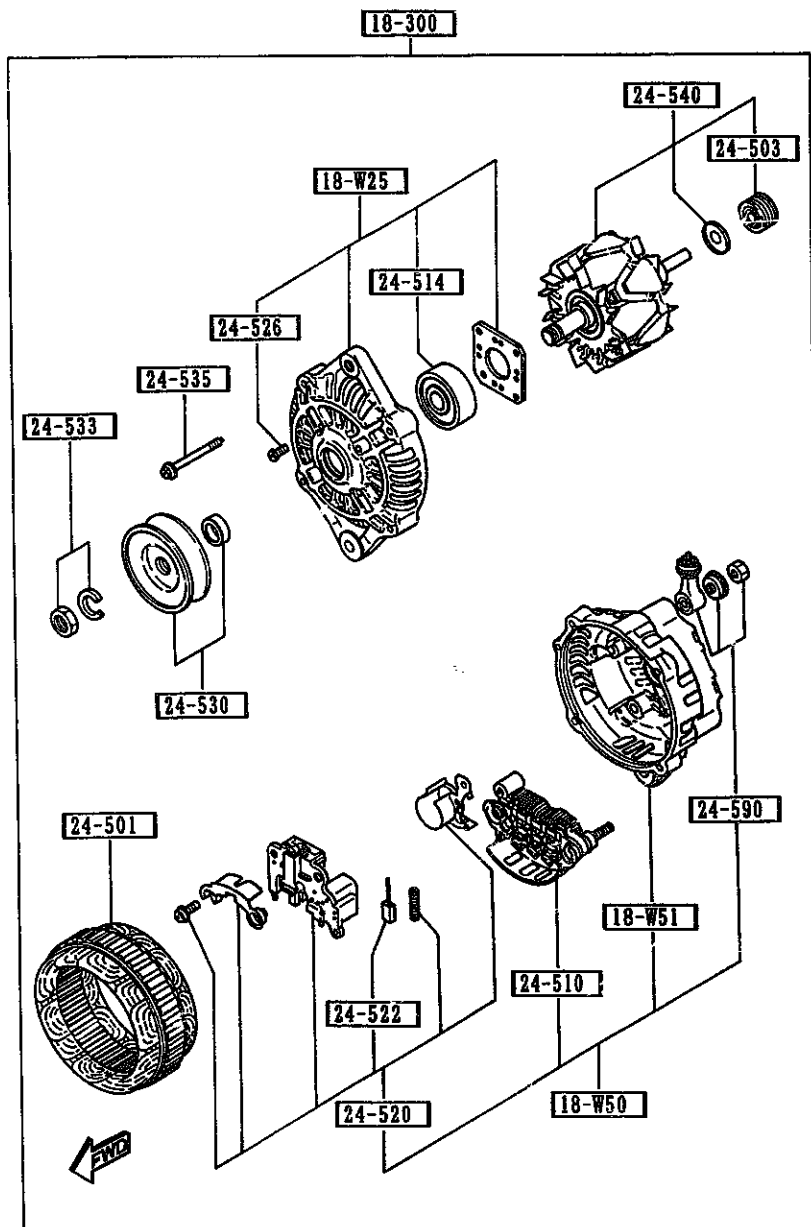
1994-10

1800 ENGINE ELECTRICAL SYSTEM

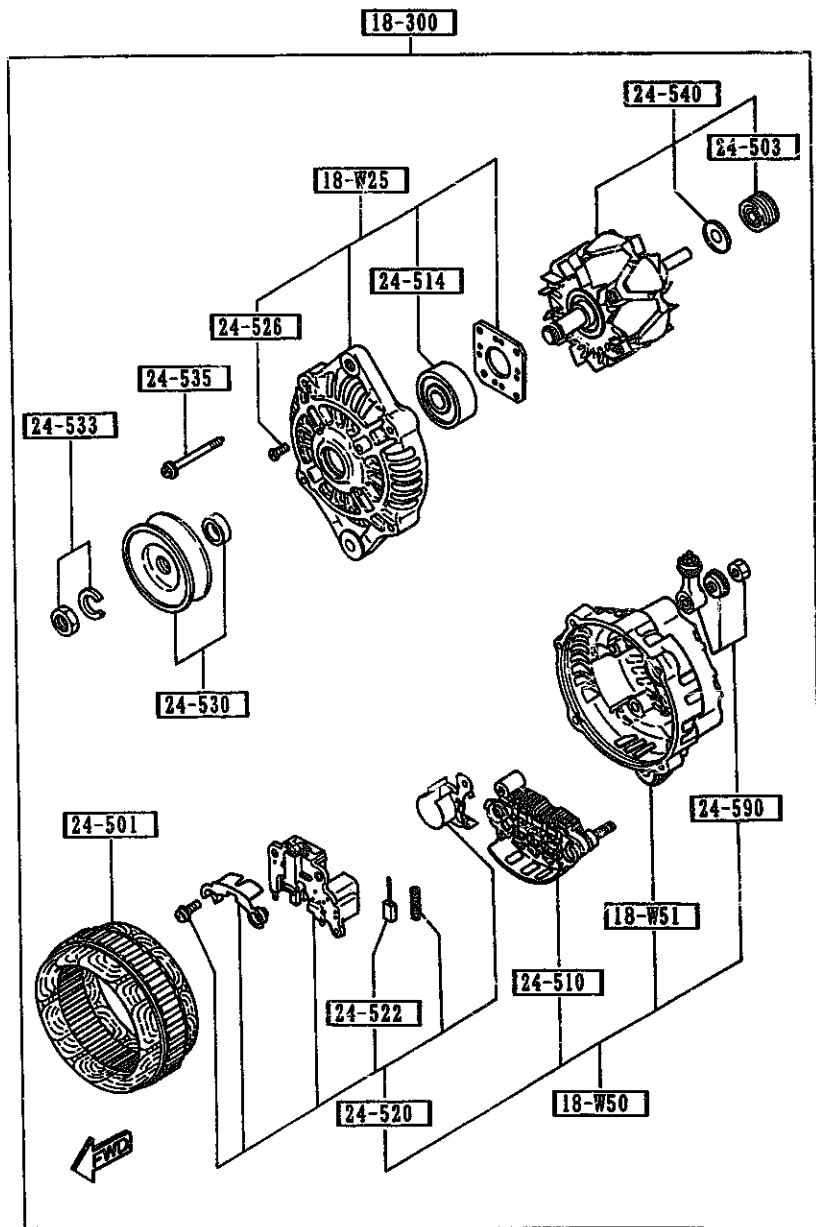


PART NO.	QTY	MODEL/RESTRICTION	MODEL/RESTRICTION	MODEL/RESTRICTION	FROM-TO
CONT'D					
B61P-18-190C	1				
18-265		CLIP, COUPLER			
B61R-18-266A	1				
18-361		STRAP, ALTERNATOR			
B61P-18-360A	1				
18-363		SPACER, STRAP			
F201-18-363	1				-3506
FP02-18-363	1				3506-
18-381		BELT 'V'			
B6S7-18-381B	1	AUTO-FLEX-3 A-34.7			
18-401C		BRACKET, STARTER			
B61P-18-410	1	(ILLUST. NO.1)			
B660-18-411C	1	(ILLUST. NO.2)			
18-867		CLIP			
FE30-18-867A	1				

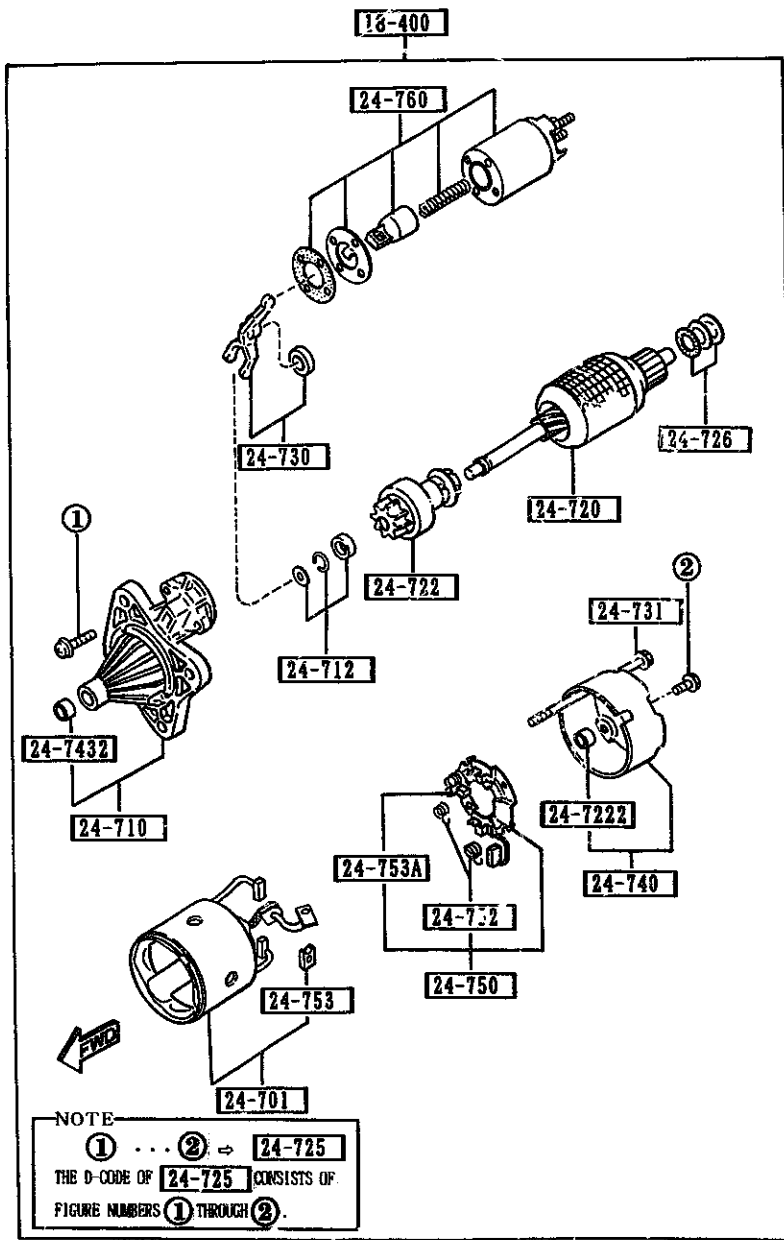
3506 NA351*-420224



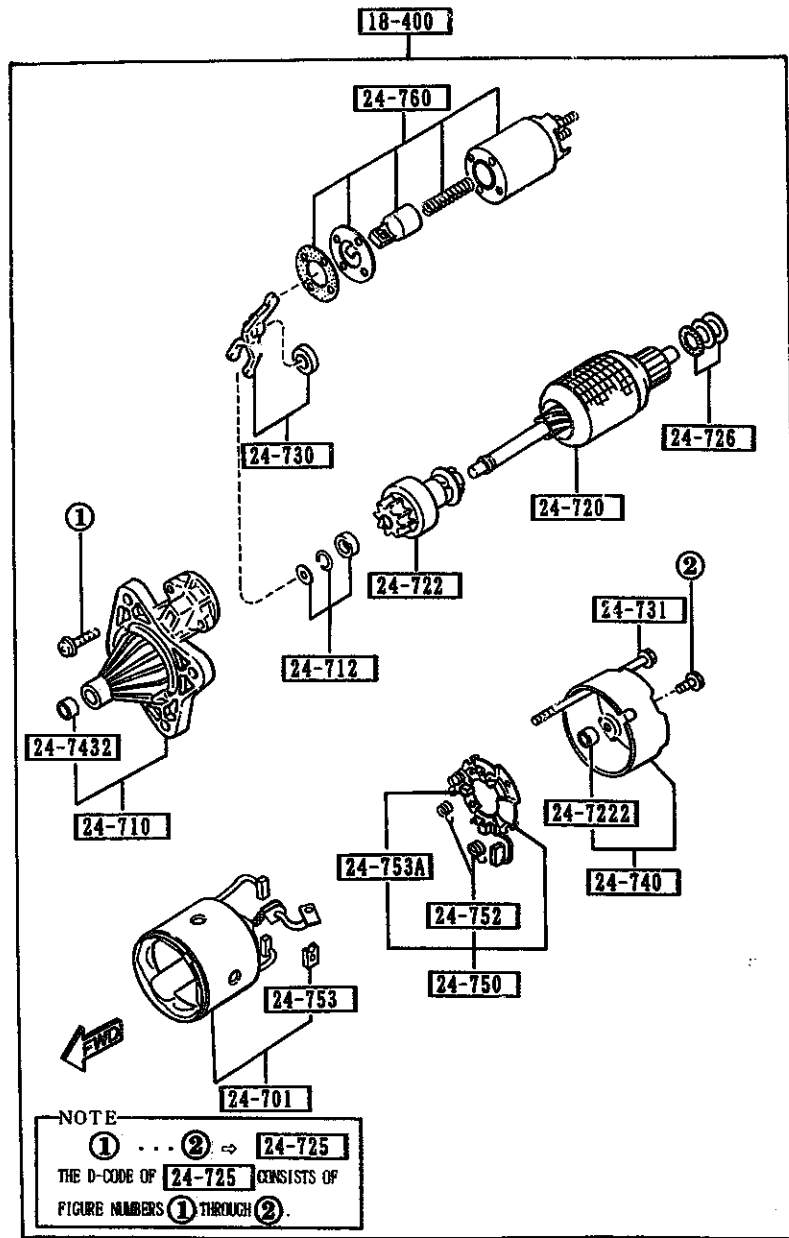
PART NO.	QTY	MODEL/RESTRICTION	MODEL/RESTRICTION	MODEL/RESTRICTION	FROM-TO
18-W25		COVER, FRONT-ALTERNATOR			
B64J-18-W25	1				
18-W50		COVER, REAR-ALTERNATOR			
B61P-18-W50A	1	(MT)			
B64J-18-W50A	1	(AT)			
18-W51		COVER, REAR-ALTERNATOR			
B3C7-18-W51	1				
18-300		ALTERNATOR			
B61P-18-300E	1	(MT)			
B64J-18-300B	1	(AT)			
24-501		STATOR			
B366-18-W45	1	(AT)			
G608-18-W45	1	(MT)			
24-503		BEARING, BALL-ALT. REAR			
N336-18-W36	1				
24-510		RECTIFIER			
B61R-18-W60	1	(MT)			
B64J-18-W60	1	(AT)			
24-514		BEARING, BALL-ALT. FRONT			
PN16-18-W27	1				
24-520		REGULATOR, VOLTAGE			
B64J-18-W70A	1				
24-522		BRUSH			
B3C7-18-W77	2				
24-526		SCREW SET			
RF71-18-W26	1				
24-530		PULLEY			
B61P-18-W10	1				



PART NO.	QTY	MODEL/RESTRICTION	MODEL/RESTRICTION	MODEL/RESTRICTION	FROM-TO
24-533		NUT SET			
B3C7-18-W05	1				
24-535		SCREW SET			
RF71-18-W20	1				
24-540		ROTOR			
B61R-18-W35A	1	(MT)			
B64J-18-W35A	1	(AT)			
24-590		TERMINAL SET			
N337-18-W80	1				

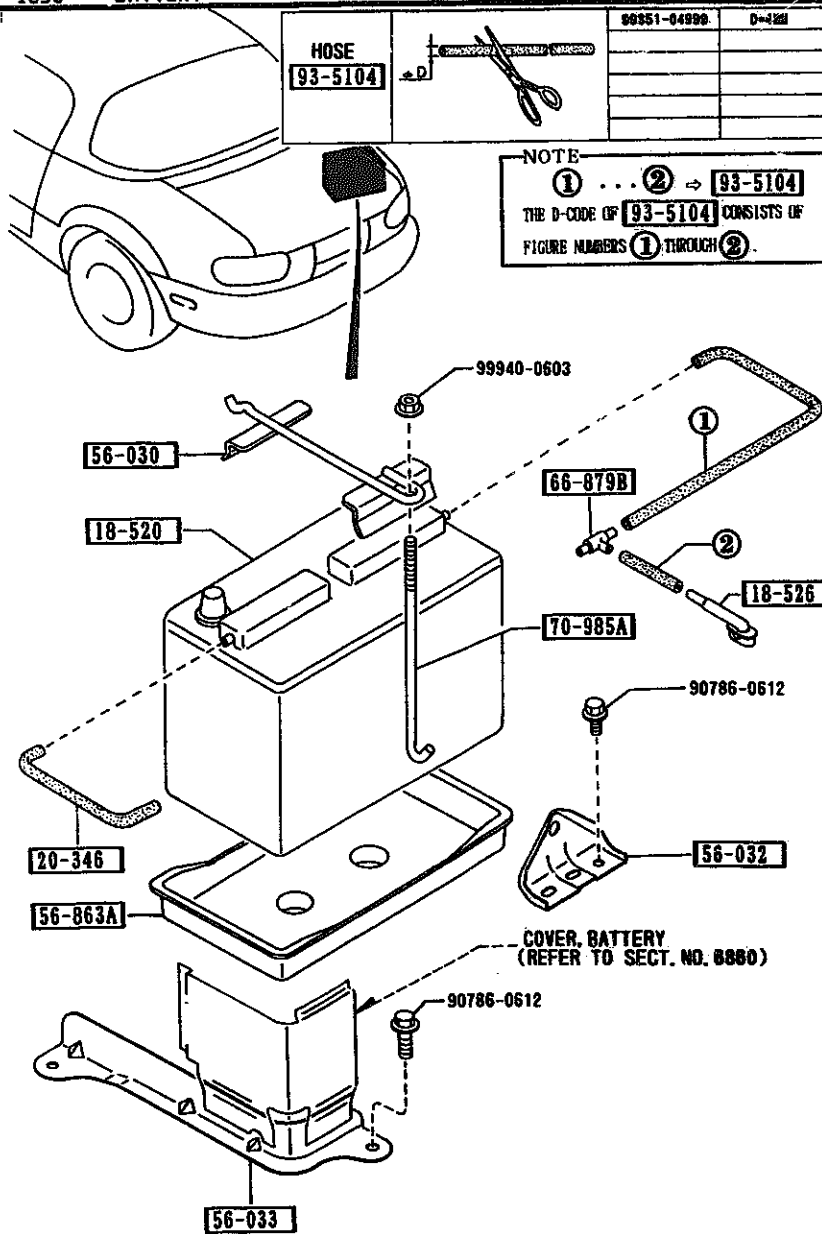


PART NO.	QTY	MODEL/RESTRICTION	MODEL/RESTRICTION	MODEL/RESTRICTION	FROM-TO
18-400		STARTER			
B61R-18-400A	1	NON ASBESTOS			
24-701		YOKE			
B61R-18-X65	1				
24-710		BRACKET, FRONT			
B61R-18-X00	1				
24-712		STOPPER SET			
E356-18-X30	1				
24-720		ARMATURE			
B638-18-X60	1	NON ASBESTOS			
24-722		CLUTCH, OVER RUNNING			
B630-18-X45	1				
24-7222		SLEEVE, BEARING-REAR			
E356-18-X81	1				
24-725		SCREW SET			
E356-18-X95	1				
24-726		WASHER SET			
E356-18-X92	1				
24-730		LEVER			
E356-18-X05	1				
24-731		BOLT SET			
B630-18-X90	2				
24-740		BRACKET, REAR			
E356-18-X60	1				
24-7432		SLEEVE, BEARING-FRONT			
F210-18-X61	1				



PART NO.	QTY	MODEL/RESTRICTION	MODEL/RESTRICTION	MODEL/RESTRICTION	FROM-TO
24-750		HOLDER, BRUSH			
B61R-18-X70	1				
24-752		SPRING, BRUSH			
0222-24-752A	4				
24-753		BRUSH, YOKE			
B630-18-X66	2				
24-753A		BRUSH			
B660-18-X66	2				
24-760		SWITCH			
E356-18-X10	1				

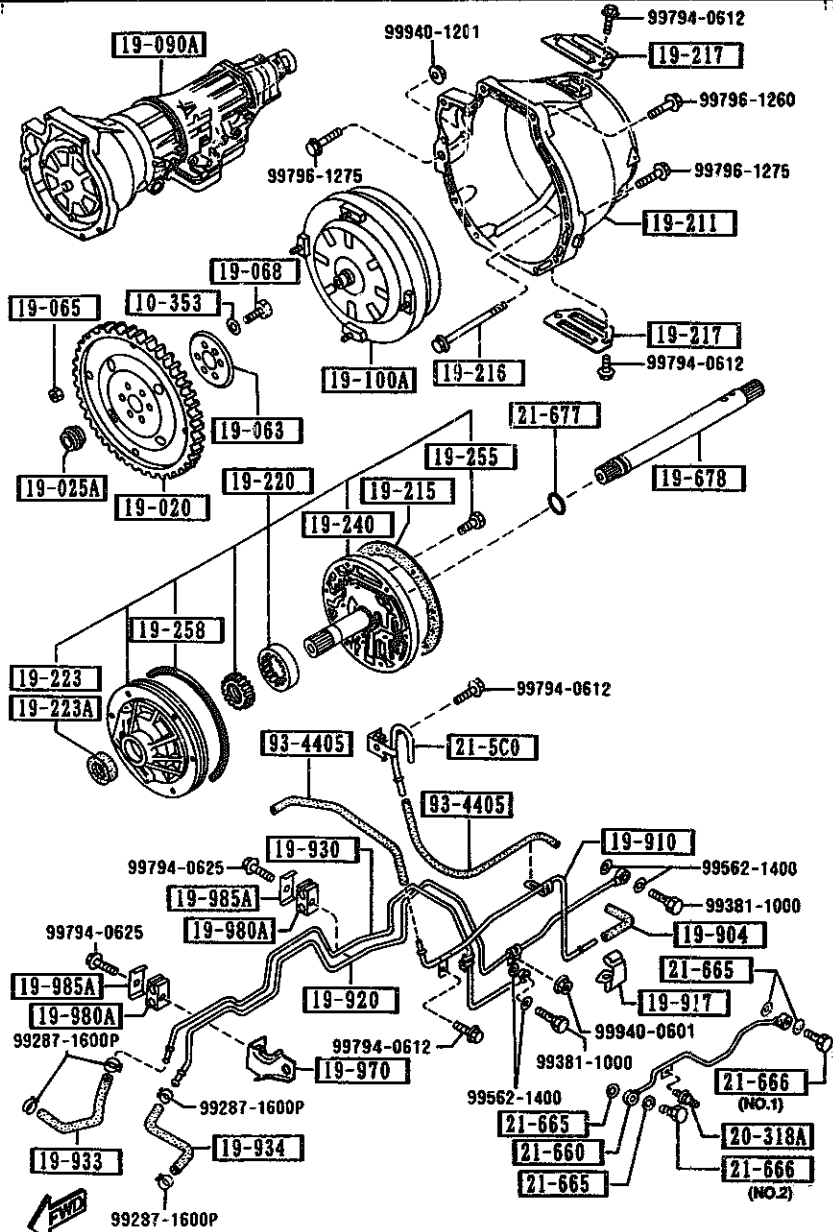
1850 BATTERY



1850 -1 * BATTERY

PART NO.	QTY	MODEL/RESTRICTION	MODEL/RESTRICTION	MODEL/RESTRICTION	FROM-TO
18-520		BATTERY			
B6AC-18-520	1	S46A24L(S) PANASONIC			
18-526		CONNECTOR, TUBE-BATTERY			
B61P-18-526	1				
20-346		TUBE, VACUUM			
B61P-18-524	1				
56-030		CLAMP, BATTERY			
NA01-56-03XA	1				
56-032		BRACKET, BATTERY CLAMP			
NA01-56-032A	1				
56-033		BRACKET, STOPPER-BATTERY			
NA01-56-033A	1				
56-863A		TRAY, BATTERY			
B095-56-032	1				
65-879B		JOINT			
0813-66-879	2				
70-985A		BOLT, CLAMP			
0259-54-292A	1				
93-5104		HOSE			
99351-04999	1				

1910 TORQUE CONVERTER,OIL PUMP & PIPINGS (AUTOMATIC)



AUNA03

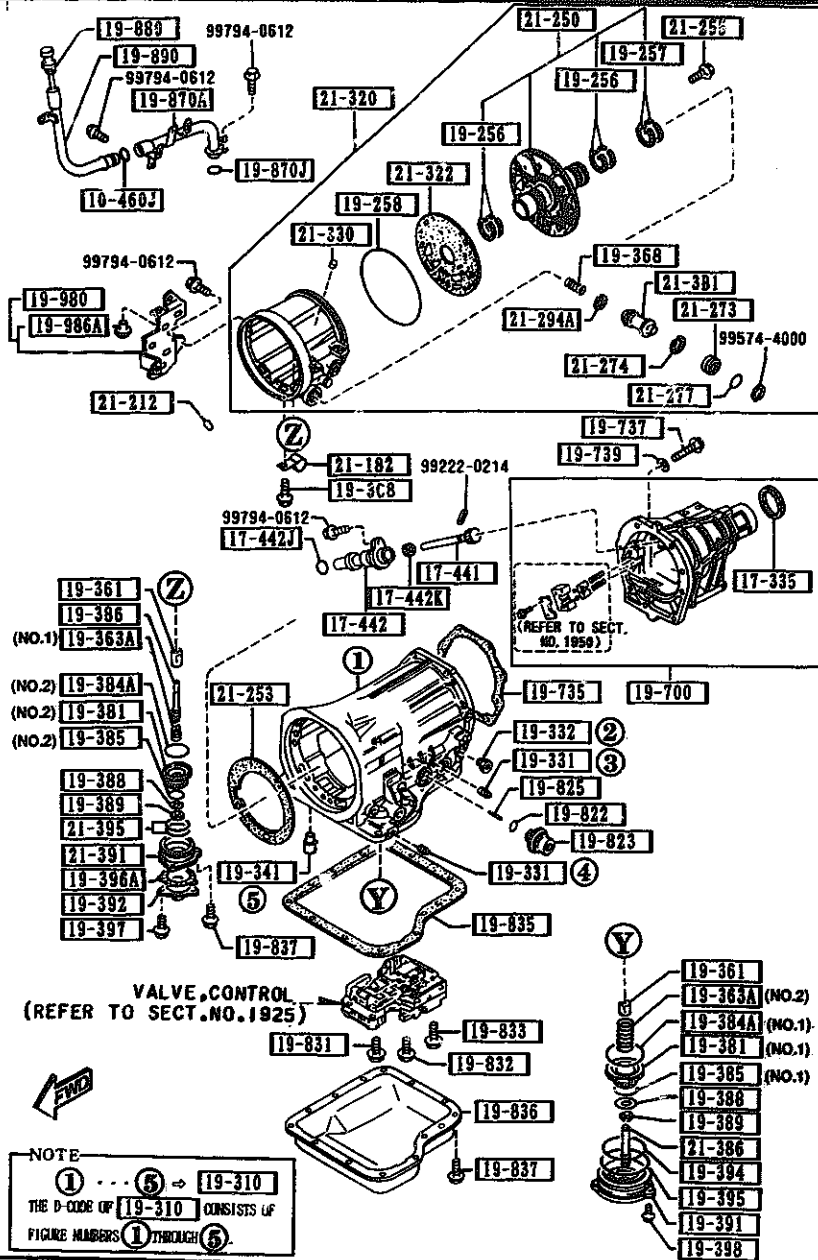
PART NO.	QTY	MODEL/RESTRICTION	MODEL/RESTRICTION	MODEL/RESTRICTION	FROM-TO
19-220		PUMP,OIL			
BU55-19-220A	1				
19-223		SEAL,OIL			
BU55-19-223	1	JATCO			
19-223A		SEAL,OIL			
0338-19-223A	1	NOK			
19-240		COVER,OIL PUMP			
BU55-19-240A	1				
19-255		BOLT			
0338-19-255	5				
19-258		SEAL,CUT RING			
0338-19-258	1				
19-678		SHAFT,INPUT			
BU55-21-678	1				
19-904		HOSE,VACUUM			
0338-19-904A	1				
19-910		PIPE,VACUUM			
BU55-19-910A	1				
19-917		CLIP			
BU17-19-917	1				
0436-19-917	1				
19-920		PIPE,OIL			
BU55-19-920C	1				
19-930		PIPE,OIL			
BU55-19-930C	1				
19-933		HOSE,OIL			
BU55-19-933A	1				
3621 NA351K-423253					

-3621
3621-

CAT. AUNA03-04

1994-10

1920 TRANSMISSION CASE & MAIN CONTROL SYSTEM (AUTOMATIC)



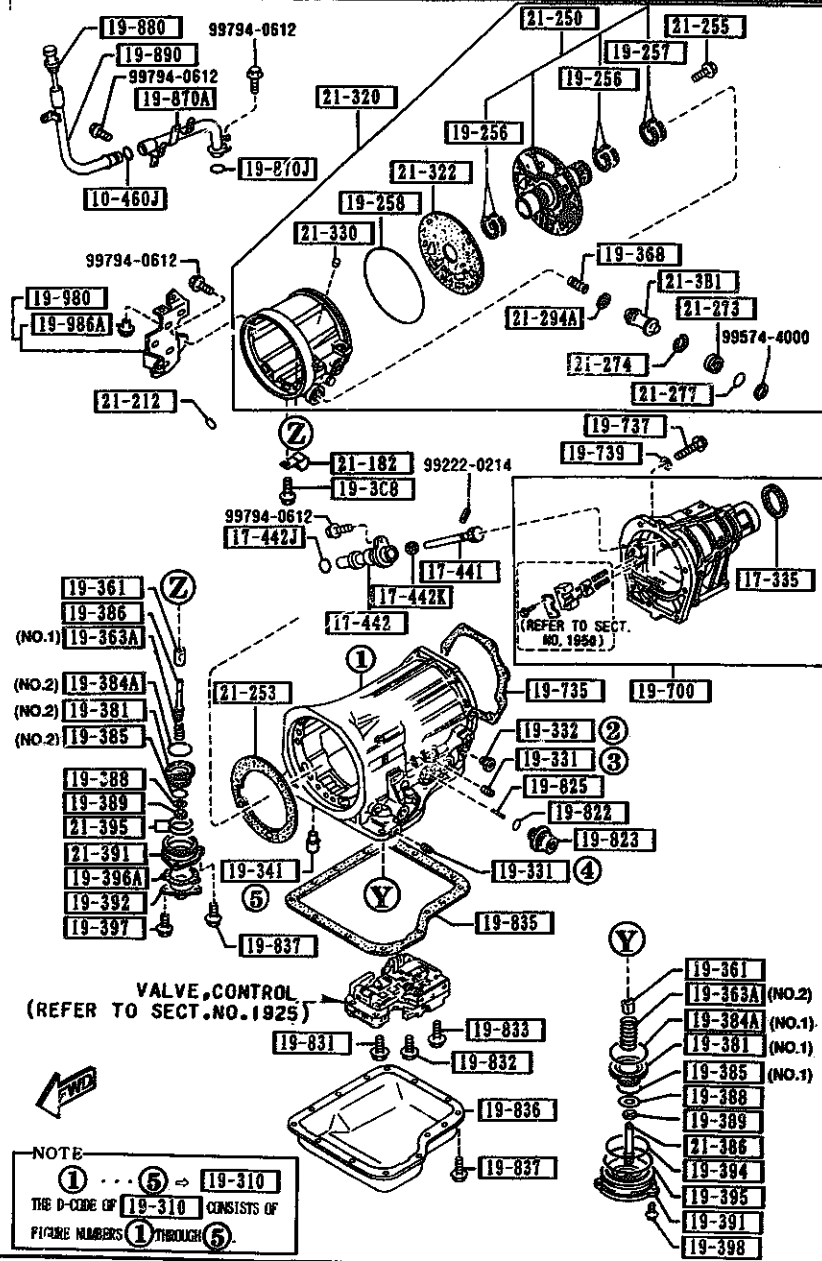
PART NO.	QTY	MODEL/RESTRICTION	MODEL/RESTRICTION	MODEL/RESTRICTION	FROM-TO
10-460J		RING, 'O'			
99541-01201	1				
17-335		SEAL, OIL			
M507-17-335A	1				
17-441		GEAR, DRIVEN			
BU55-17-441	1				
17-442		SLEEVE, SPEEDOMETER			
BU55-17-442	1				
17-442J		RING, 'O'			
1011-17-443	1				
17-442K		SEAL, OIL			
99586-08166	1				
19-256		RING, SEAL			
BU01-19-256	4				
19-257		RING, SEAL			
BU01-19-257	2				
19-258		SEAL, CUT RING			
0338-19-258	1				
19-3C8		BOLT, BAFFLE PLATE			
BU55-19-3C8	1				
19-310		CASE, T/MISSION			
BU55-19-310A	1				
19-331		PLUG, SQUARE HEAD			
0338-19-331A	2				
19-332		CONNECTOR, STRAIGHT			
BU01-19-332A	1				
19-341		BOLT, ANCHOR END			
0338-19-341	1				

AUNA03

CAT. AUNA03-04

1994-10

1920 TRANSMISSION CASE & MAIN CONTROL SYSTEM (AUTOMATIC)



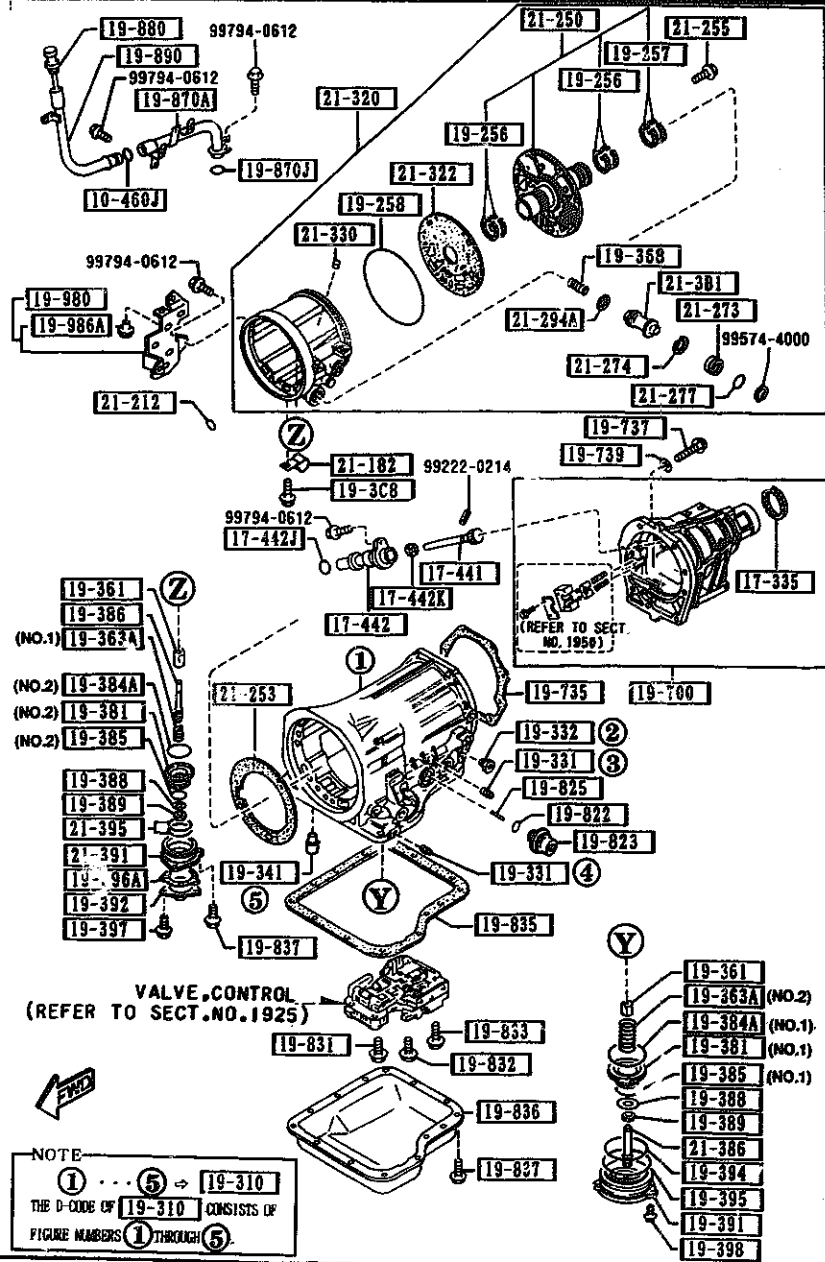
PART NO.	QTY	MODEL/RESTRICTION	MODEL/RESTRICTION	MODEL/RESTRICTION	FROM-TO
19-361		STRUT, BAND			
0338-19-361B	2				
19-363A		SPRING, PISTON RETURN			
BU55-19-3F3	1	(ILLUST. NO.1)			
BU17-19-363	1	(ILLUST. NO.2)			
19-368		SPRING, CUSHION-PSTN. STEM			
BU20-19-368	1				
19-381		PISTON, BAND SERVO			
BU06-19-381	1	(ILLUST. NO.1)			
BV03-19-381	1	(ILLUST. NO.2)			
19-384A		SEAL, PISTON			
BU10-19-384	1	(ILLUST. NO.1)			
BU55-19-384	1	(ILLUST. NO.2)			
19-385		SEAL, PISTON			
FT03-19-385	1	D=44MM (ILLUST. NO.1)			
0842-19-385	1	D=56MM (ILLUST. NO.2)			
19-386		STEM, PISTON			
0338-19-386A	1				
19-388		WASHER, PLAIN			
0338-19-388A	2				
19-389		NUT			
0338-19-389	2				
19-391		RETAINER, SERVO			
BU06-19-391	1				
19-392		COVER, SERVO			
1758-19-392A	1				
19-394		SEAL, LATHE CUT			
0842-19-394	1				

AUNA03

CAT. AUNA03-04

1994-10

1920 TRANSMISSION CASE & MAIN CONTROL SYSTEM (AUTOMATIC)



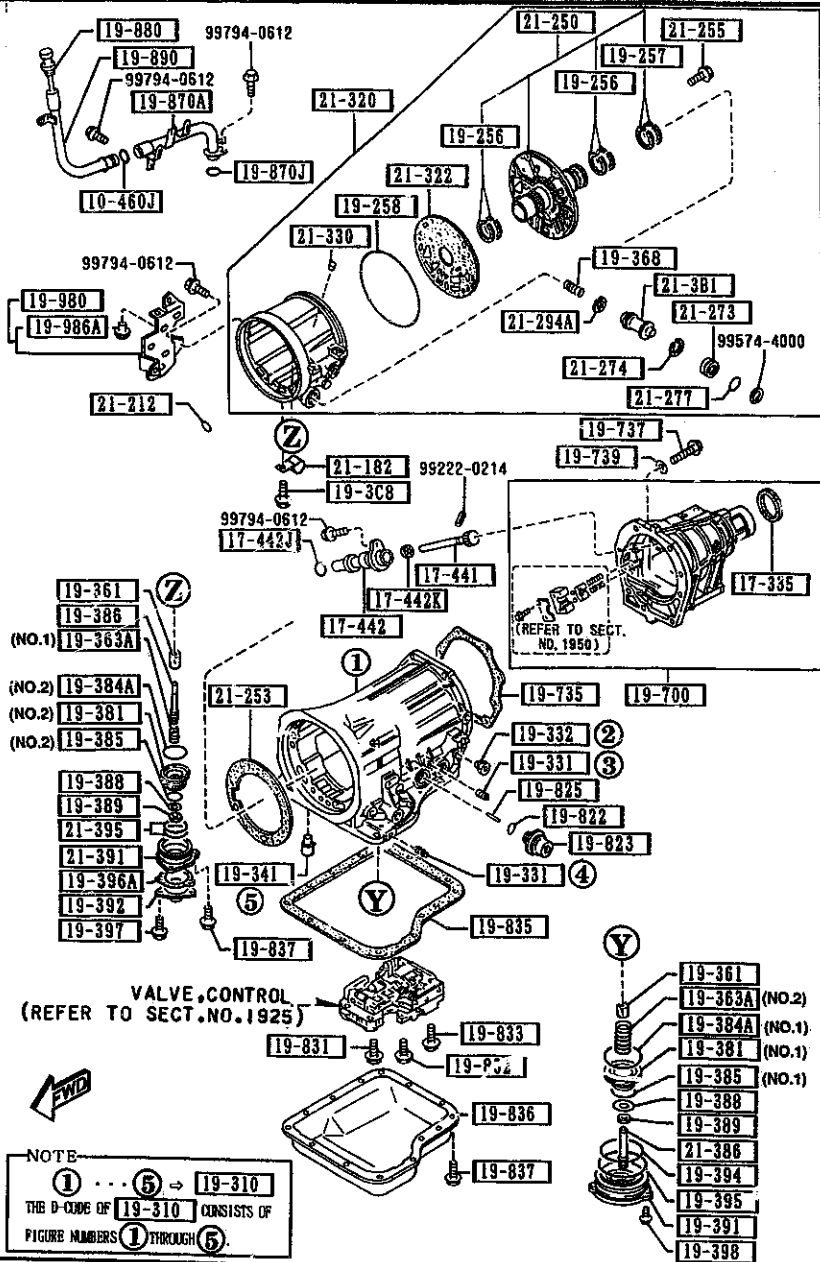
PART NO.	QTY	MODEL/RESTRICTION	MODEL/RESTRICTION	MODEL/RESTRICTION	FROM-TO
19-395		RING, 'O'			
0338-19-395	1				
19-396A		GASKET			
1758-19-394A	1	ASBESTOS			-2C07
BU46-19-3J4	1	NON ASBESTOS			2C07-
19-397		BOLT			
1758-19-397	3				
19-398		BOLT			
0338-19-398					
19-700		HOUSING, EXTENSION			
BUY2-19-7A0	1				
19-735		GASKET, EXTENSION			
0338-19-735	1	ASBESTOS			-2C07
BT28-19-735	1	NON ASBESTOS			2C07-
19-737		BOLT			
0338-19-737	8				
19-739		WASHER, PLAIN			
0338-19-739	8				
19-822		SEAL, 'O' RING			
0338-19-822	1				
19-823		DIAPHRAGM, VACUUM			
BU55-19-823	1				
19-825		ROD, DIAPHRAGM			
BU55-19-825	1	L=29.75MM			
0338-19-825	1	L=30MM			
0338-19-826	1	L=31MM			
2C07 NA351*-407852					

AUNA03

CAT. AUNA03-04

1994-10

1920 TRANSMISSION CASE & MAIN CONTROL SYSTEM (AUTOMATIC)



PART NO.	QTY	MODEL/RESTRICTION	MODEL/RESTRICTION	MODEL/RESTRICTION	FROM-TO
CONT'D					
0338-19-827	1	L=30.5MM			
0338-19-828	1	L=29MM			
0338-19-829	1	L=29.5MM			
19-831		BOLT, CONTROL VALVE			
0338-19-831	2				
19-832		BOLT, CONTROL VALVE			
0338-19-832	2				
19-833		BOLT, CONTROL VALVE			
0338-19-833	3				
19-835		GASKET, OIL PAN			
0338-19-835B	1	ASBESTOS			
BT28-19-835	1	NON ASBESTOS			-2C07
19-836		PAN, OIL			
0338-19-836A	1				2C07-
19-837		BOLT, OIL PAN			
0338-19-837	17				
19-870A		TUBE, FILLER			
BU55-19-870	1				
19-870J		RING, 'O'			
99541-01601	1				
19-880		GAUGE, OIL LEVEL			
BU17-19-880B	1				
19-890		TUBE, OIL FILTER-UPPER			
BU55-19-890	1				
19-980		BRACKET			
BU55-19-980A	1				

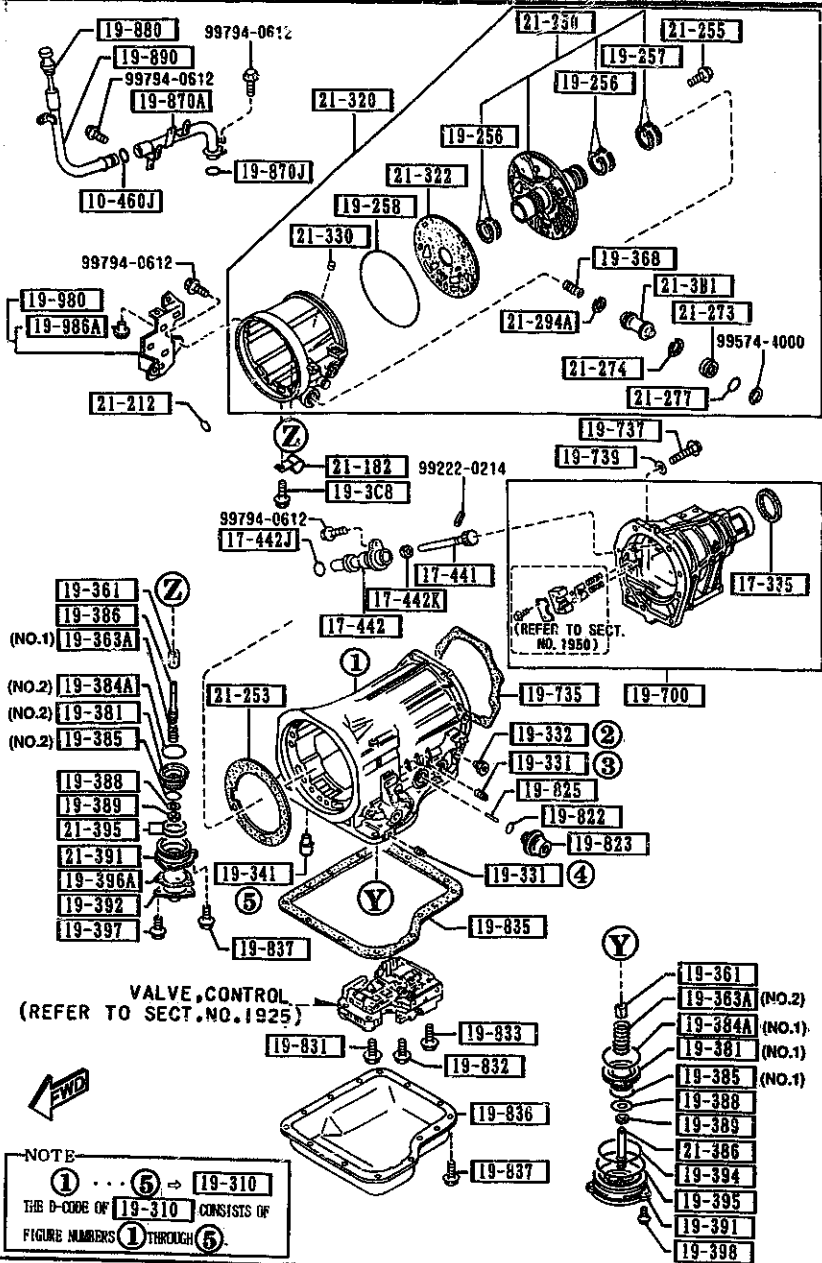
2C07 NA351K-407852

AUNA03

CAT. AUNA03-04

1994-10

1920 TRANSMISSION CASE & MAIN CONTROL SYSTEM (AUTOMATIC)



PART NO.	QTY	MODEL/RESTRICTION	MODEL/RESTRICTION	MODEL/RESTRICTION	FROM-TO
19-986A		BUSH, RUBBER			
BV01-19-986	1				
21-182		BRACKET			
BU55-21-182	1				
21-212		RING, 'O'			
BU01-21-212	2				
21-250		SUPPORT, DRUM			
BU55-21-250	1				
21-253		GASKET, DRUM SUPPORT ASBESTOS			
BU01-21-253	1				-2C07
21-2F3		NON ASBESTOS			
BU46-21-2F3	1				2C07-
21-255		BOLT			
BU01-21-255	5				
21-273		PLUG, ACCUMULATOR			
BU01-21-273	3				
21-274		SEAL, 'O' RING			
BU01-21-274	1				
21-277		RING, 'O'			
BU01-21-277	1				
21-294A		RING, SEAL			
BU55-21-293	1				
21-381		PISTON, ACCUMULATOR			
BU55-21-381	1				
21-320		CASE, OVER DRIVE			
BU55-21-320 A (BU55-21-320A)	1				-2C07
BU55-21-320A	1				2C07-
2C07 NA351K-407852					

NOTE
 ① ... ⑤ ⇒ 19-310
 THE D-CODE OF 19-310 CONSISTS OF
 FIGURE NUMBERS ① THROUGH ⑤.

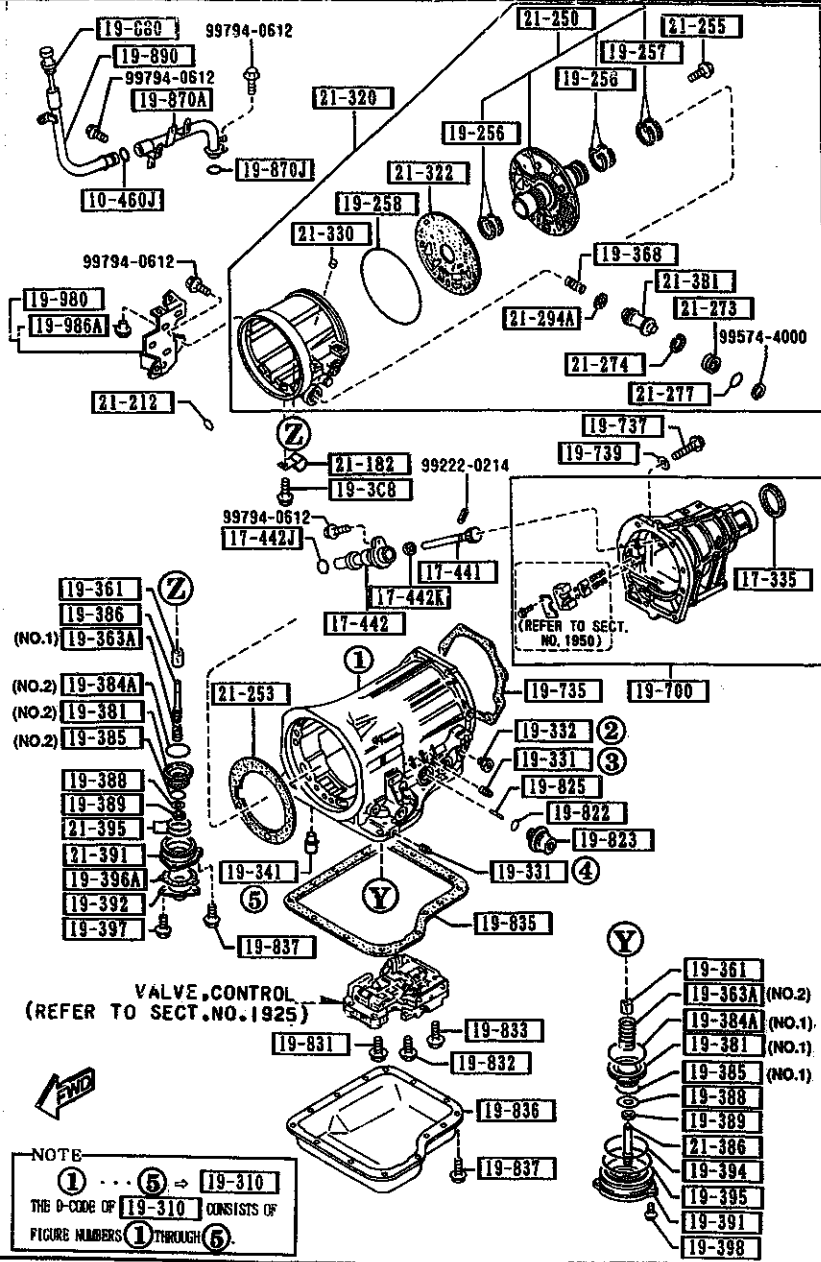
AUNA03

CAT. AUNA03-04

1994-10

1920 TRANSMISSION CASE & MAIN CONTROL SYSTEM (AUTOMATIC)

1920 -6 * TRANSMISSION CASE & MAIN CONTROL SYSTEM (AUTOMATIC)



PART NO.	QTY	MODEL/RESTRICTION	MODEL/RESTRICTION	MODEL/RESTRICTION	FROM-TO
21-322		GASKET, D/DRIVE CASE			
BU01-21-322	1				-2C07
BU46-21-3C2	1				2C07-
21-330		VALVE, ONE WAY			
BV01-21-330	1				
21-386		STEM, PISTON BAND			
BU01-21-386	1				
21-391		RETAINER, SERVO			
BV02-21-391	1				
21-395		RING, 'O'			
BU01-21-395	2				
2C07 NA351X-407852					

NOTE
 ① ... ⑤ → 19-310
 THE D-CODE OF 19-310 CONSISTS OF
 FIGURE NUMBERS ① THROUGH ⑤.

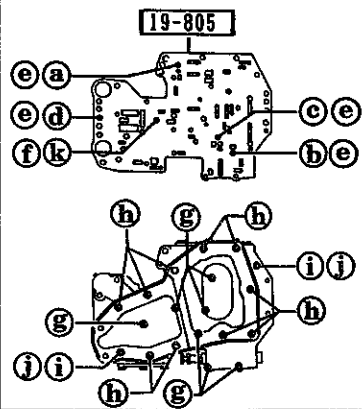
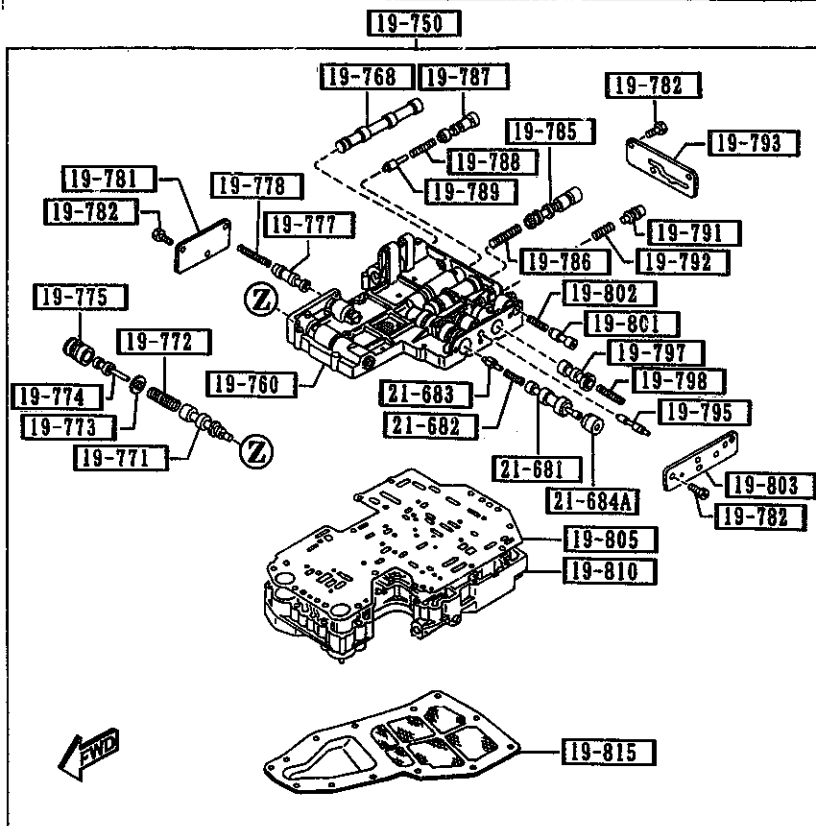
AUNA03

CAT. AUNA03-04

1994-10

1925 CONTROL VALVE (AUTOMATIC)

1925 -1 CONTROL VALVE (AUTOMATIC)



a		19-8A4	D=1.1MM
b		19-8B1	D=2.0MM
c		19-807	D=1.5MM (NO.1)
d		19-807	D=1.8MM (NO.2)
e		19-808	D=4.77MM, L=15.5MM
f		19-814	D=5.0MM, L=26.8MM
g		19-816	M5, L=25MM
h		19-817	M5, L=40MM
i		19-818	M6, L=57MM
j		19-819	
k		99611-2000	

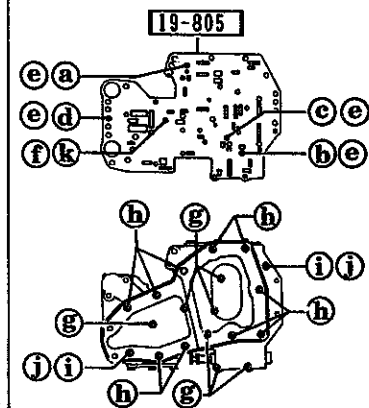
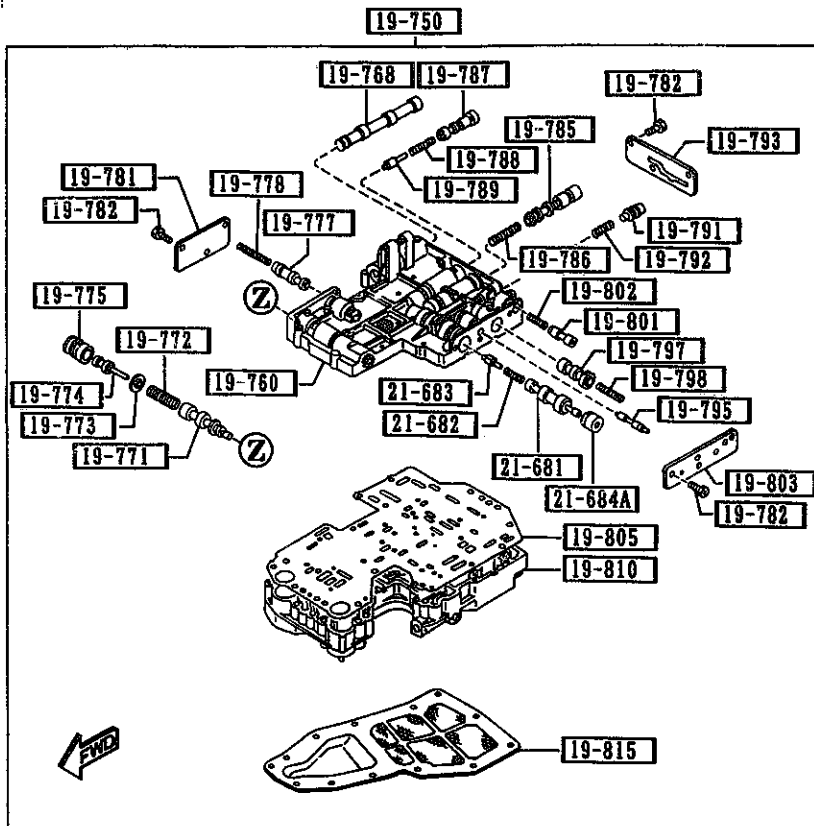
PART NO.	QTY	MODEL/RESTRICTION	MODEL/RESTRICTION	MODEL/RESTRICTION	FROM-TO
19-750	1	VALVE, CONTROL			
BU55-19-750	1				
19-760	1	BODY, CONTROL VALVE-U			
BU55-19-760	1				
19-768	1	VALVE, MANUAL			
0338-19-768	1				
19-771	1	VALVE, REGULATOR			
BU01-19-771	1				
19-772	1	SPRING, REGULATOR			
0338-19-772	1				
19-773	1	SEAT, REGULATOR SPRIN			
0338-19-773	1				
19-774	1	PLUG, REGULATOR			
BU55-19-774	1				
19-775	1	SLEEVE, REGULATOR PLU			
BU55-19-775	1				
19-777	1	VALVE, SECOND LOCK			
0338-19-777	1				
19-778	1	SPRING, SECOND LOCK			
0338-19-778	1				
19-781	1	PLATE, SIDE 'D'			
1758-19-781	1				
19-782	9	SCREW			
0338-19-782	9				
19-785	1	VALVE, 1-2 SHIFT			
BU55-19-785	1				
19-786	1	SPRING, 1-2 SHIFT			
BU55-19-786	1				

AUNA03

CAT. AUNA03-04

1994-10

1925 CONTROL VALVE (AUTOMATIC)



a	19-844	D=1.1MM
b	19-881	D=2.0MM
c	19-807	D=1.5MM (NO.1)
d	19-807	D=1.8MM (NO.2)
e	19-808	D=4.77MM, L=15.5MM
f	19-814	D=5.0MM, L=28.0MM
g	19-816	M5, L=25MM
h	19-817	M5, L=40MM
i	19-818	M6, L=57MM
j	19-819	
k	99611-2000	

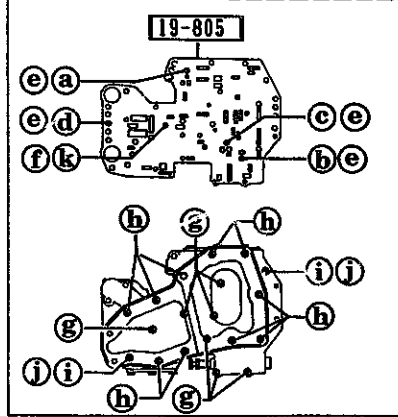
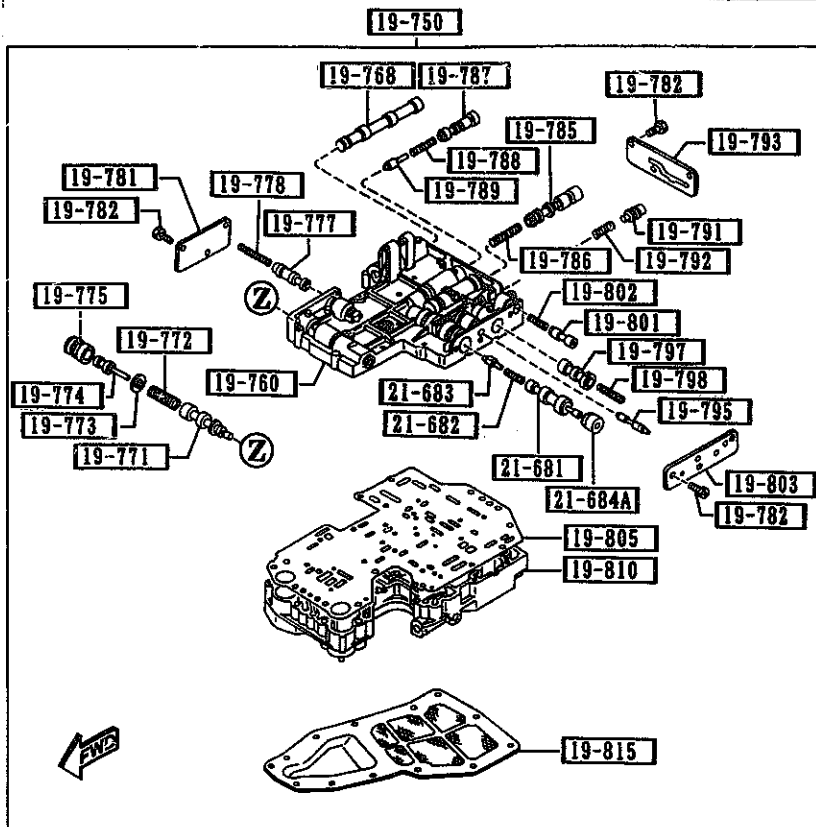
PART NO.	QTY	MODEL/RESTRICTION	MODEL/RESTRICTION	MODEL/RESTRICTION	FROM-TO
19-787		VALVE, 2-3 SHIFT			
BU55-19-787	1				
19-788		SPRING, 2-3 SHIFT			
FT21-19-788	1				
19-789		PLUG, 2-3 SHIFT			
BU17-19-789	1				
19-791		VALVE, MODIFIER			
FT27-19-791A	1				
19-792		SPRING, MODIFIER			
FT37-19-792	1				
19-793		PLATE, SIDE 'A'			
0338-19-793A	1				
19-795		VALVE, THROTTLE			
0338-19-795B	1				
19-797		VALVE, THROTTLE BACK-UP			
0338-19-797	1				
19-798		SPRING, THROTTLE BACK-UP			
0338-19-798	1				
19-844		VALVE, ORIFICE CHECK			
BV01-19-844	1				
19-881		VALVE, ORIFICE CHECK			
BV01-19-881	1				
19-801		VALVE, DOWN SHIFT			
0338-19-801	1				
19-802		SPRING, DOWN SHIFT			
0338-19-802	1				
19-803		PLATE, SIDE 'B'			
BU01-19-803A	1				

AUNA03

CAT. AUNA03-04

1994-10

1925 CONTROL VALVE (AUTOMATIC)



a		19-8A4	D=1.1MM
b		19-8B1	D=2.0MM
c		19-807	D=1.5MM (NO.1)
d		19-807	D=1.8MM (NO.2)
e		19-808	D=4.77MM, L=15.5MM
f		19-814	D=5.0MM, L=26.0MM
g		19-816	M5, L=25MM
h		19-817	M5, L=40MM
i		19-818	M6, L=57MM
j		19-819	
k		39611-2000	

PART NO.	QTY	MODEL/RESTRICTION	MODEL/RESTRICTION	MODEL/RESTRICTION	FROM-TO
19-805		PLATE,SEPARATOR			
BU55-19-805	1				
19-807		VALVE,ORIFICE CHECK			
BU01-19-807	1 (ILLUST. NO.1)				
BU17-19-807	1 (ILLUST. NO.2)				
19-808		SPRING			
0338-19-808	4				
19-810		BODY,LWR-CONT. VALVE			
BU55-19-810	1				
19-814		SPRING			
0338-19-814	1				
19-815		STRAINER,OIL			
BU01-19-815	1				
19-816		SCREW			
0338-19-816	7				
19-817		SCREW			
0338-19-817	10				
19-818		BOLT			
0338-19-818	2				
19-819		NUT			
0338-19-819	2				
21-681		VALVE,SHIFT 3-4			
BU35-21-681A	1				
21-682		SPRING,3-4 SHIFT			
BU35-21-682	1				
21-683		PLUG,3-4 SHIFT			
BU03-21-683A	1				

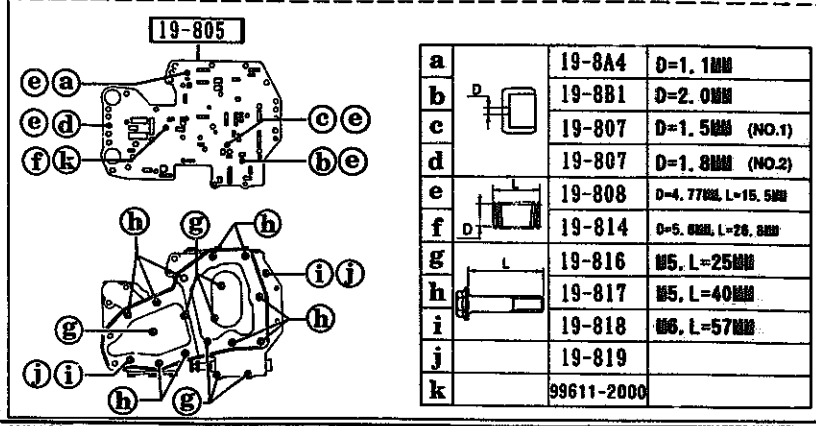
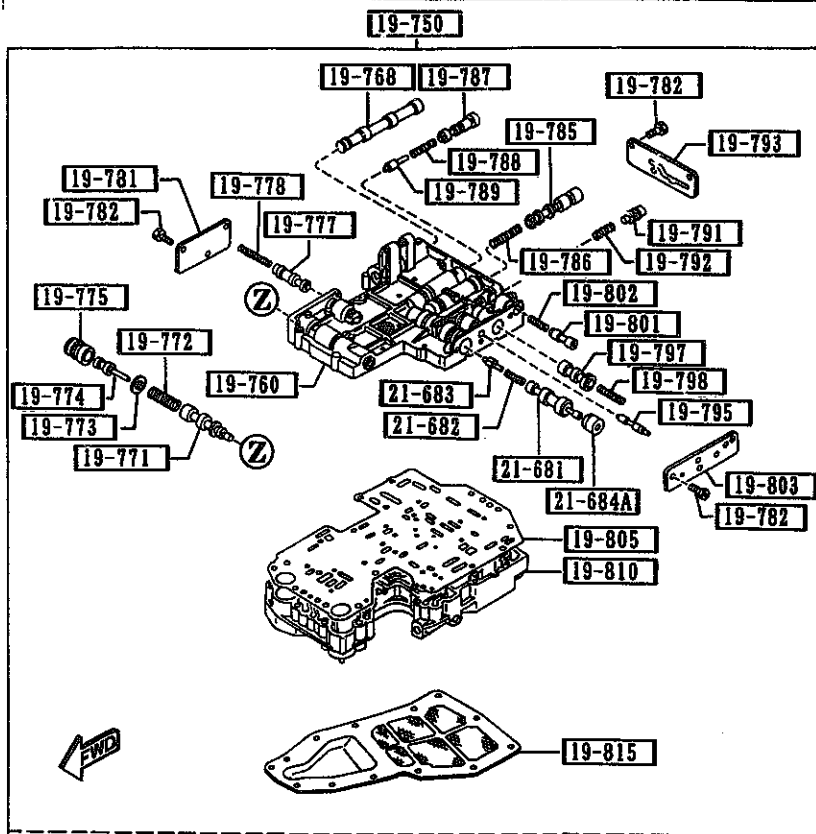
AUNA03

CAT. AUNA03-04

1994-10

1925 CONTROL VALVE (AUTOMATIC)

1925 -4 * CONTROL VALVE (AUTOMATIC)



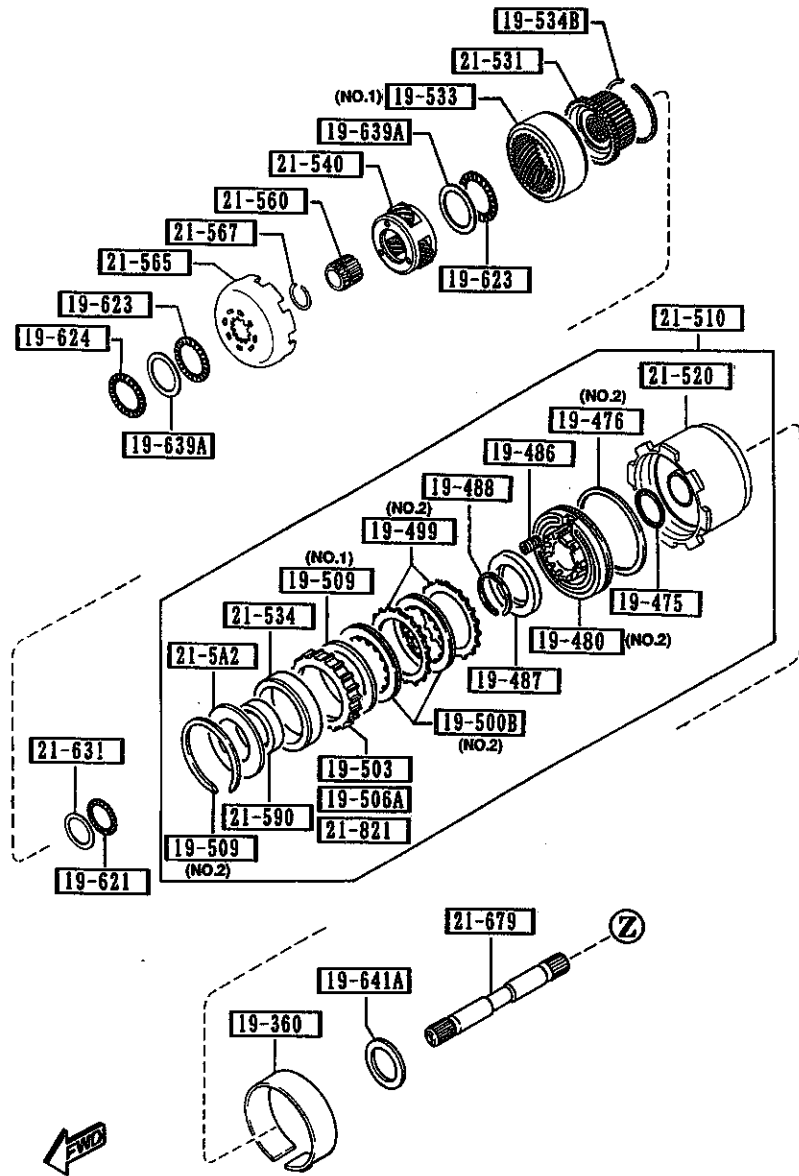
AUNA03

PART NO.	QTY	MODEL/RESTRICTION	MODEL/RESTRICTION	MODEL/RESTRICTION	FROM-TO
21-684A		SLEEVE, S-4 SHIFT			
BU35-21-684	1				

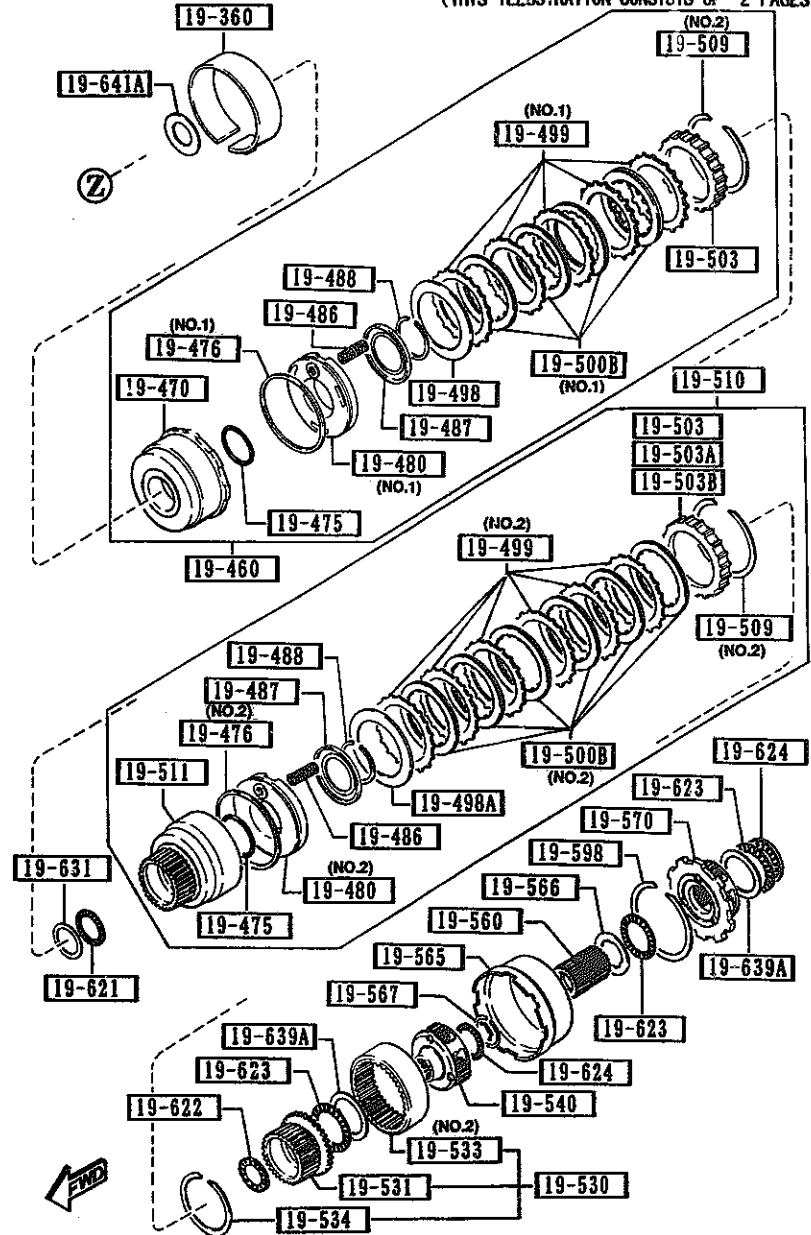
CAT. AUNA03-04

1994-10

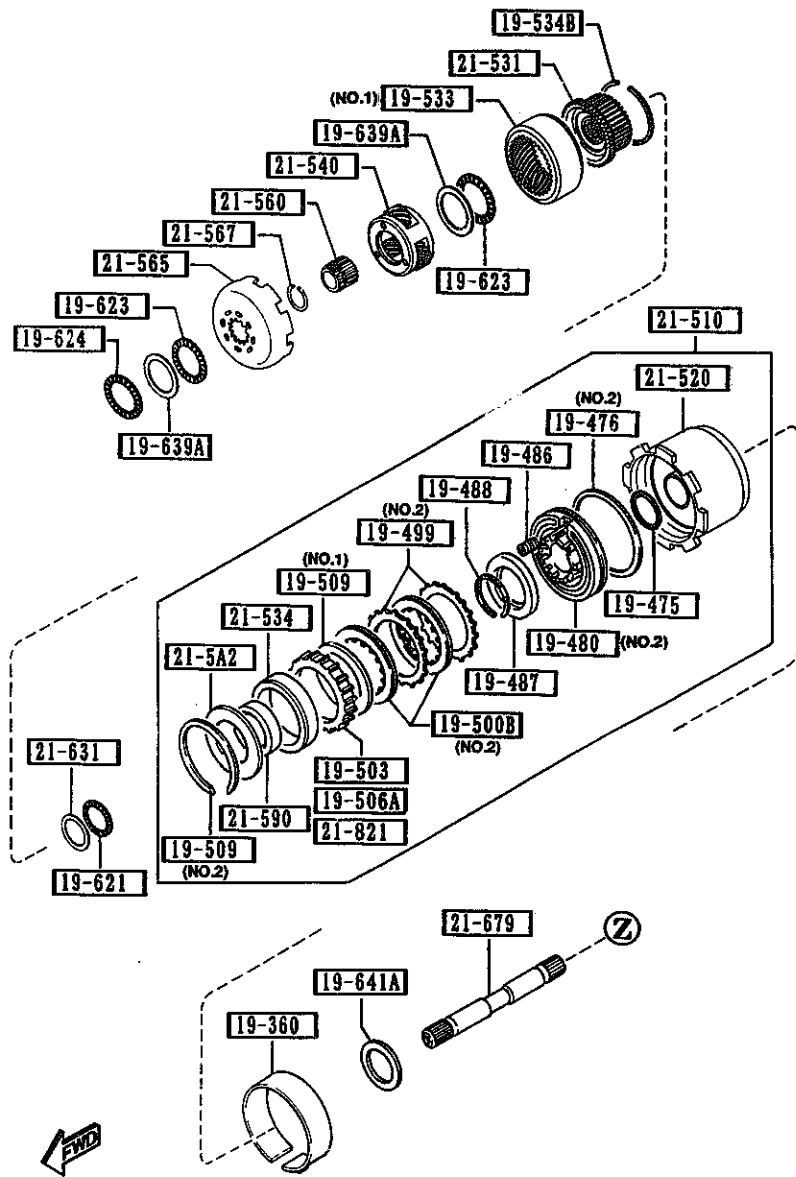
(THIS ILLUSTRATION CONSISTS OF 2 PAGES)



(THIS ILLUSTRATION CONSISTS OF 2 PAGES)



1930 CLUTCHES & PLANETARY GEARS (AUTOMATIC) (1/2)
 (THIS ILLUSTRATION CONSISTS OF 2 PAGES)

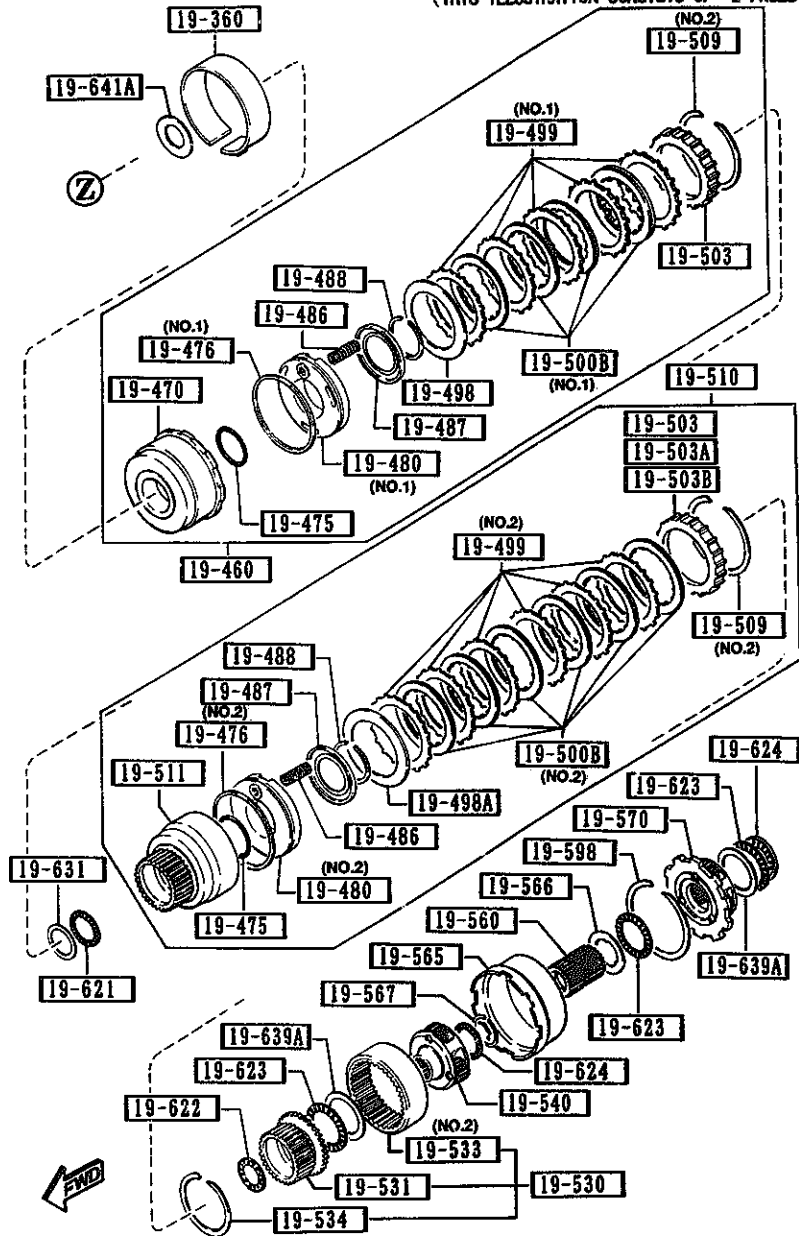


PART NO.	QTY	MODEL/RESTRICTION	MODEL/RESTRICTION	MODEL/RESTRICTION	FROM-TO
19-360		BAND, BRAKE			
0338-19-360B	2				
19-460		CLUTCH, FRONT			
BU55-19-460	1				
19-470		DRUM, CLUTCH			
BU55-19-470	1				
19-475		SEAL, 'O'RING			
0338-19-475	3				
19-476		SEAL, LATHE CUT			
8V01-19-476	1	(ILLUST. NO.1)			
0338-19-476	2	(ILLUST. NO.2)			
19-480		PISTON, CLUTCH			
8V01-19-480	1	(ILLUST. NO.1)			
0338-19-480	2	(ILLUST. NO.2)			
19-486		SPRING, PISTON RETURN			
0338-19-486	28				
19-487		RETAINER, SPRING			
0338-19-487	3				
19-488		RING, SNAP			
0338-19-488	3				
19-498		PLATE, DISHED			
0338-19-498	1				
19-498A		PLATE, DISHED			
BU17-19-498	1				
19-499		PLATE, DRIVEN			
BU55-19-499	5	(ILLUST. NO.1)			
FT01-19-499	8	(ILLUST. NO.2)			
19-500B		PLATE, DRIVEN			

1930 CLUTCHES & PLANETARY GEARS (AUTOMATIC)

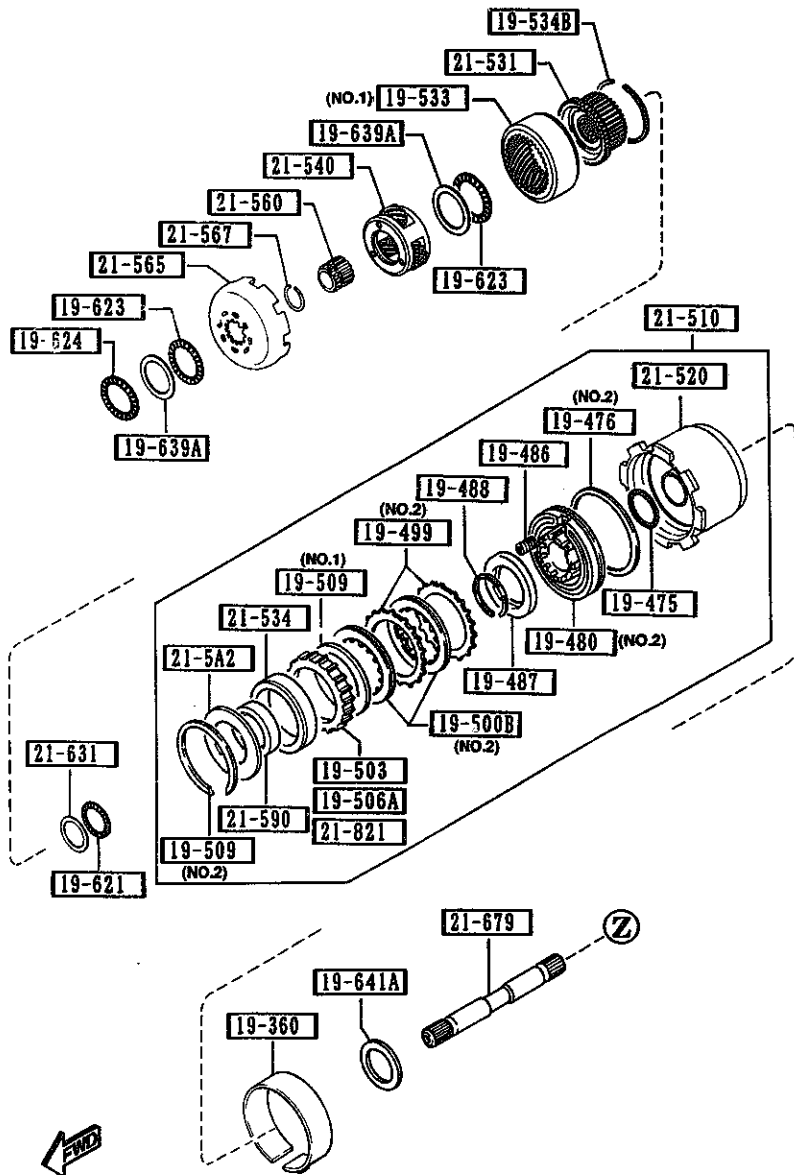
(2 / 2)

(THIS ILLUSTRATION CONSISTS OF 2 PAGES)



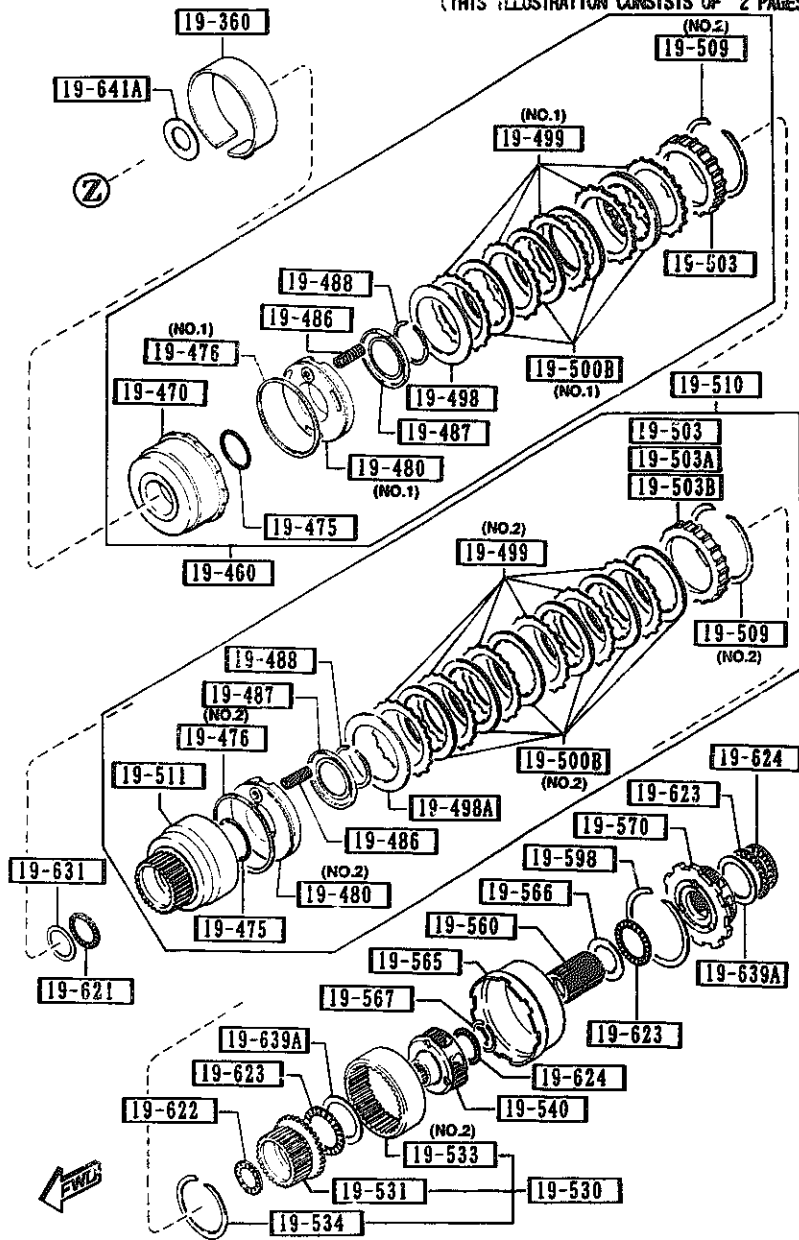
PART NO.	QTY	MODEL/RESTRICTION	MODEL/RESTRICTION	MODEL/RESTRICTION	FROM-TO
CONT'D					
BU55-19-5J0	4	(ILLUST. NO.1)			
BU17-19-500A	8	(ILLUST. NO.2)			
19-503		PLATE, RETAINING			
3959-19-503	1	T=5MM			
3959-19-504	1	T=5.2MM			
3959-19-505	1	T=5.4MM			
3959-19-506	2	T=5.6MM			
3959-19-507	2	T=5.8MM			
3959-19-508	2	T=6MM			
3959-19-509	3	T=6.2MM			
19-503A		PLATE, RETAINING			
1758-19-503	1	T=7.2MM			
1758-19-504	1	T=7.4MM			
1758-19-505	1	T=7.6MM			
19-503B		PLATE, RETAINING			
BV02-19-506	1	T=6.6MM			
BV02-19-507	1	T=6.8MM			
BV02-19-508	1	T=7MM			
19-506A		PLATE, RETAINING			
BU05-21-525	1	T=6.4MM			
BU05-21-528	1	T=7MM			
19-509		RING, SNAP			
BV01-19-509	1	(ILLUST. NO.1)			
0338-19-509	3	(ILLUST. NO.2)			

(THIS ILLUSTRATION CONSISTS OF 2 PAGES)



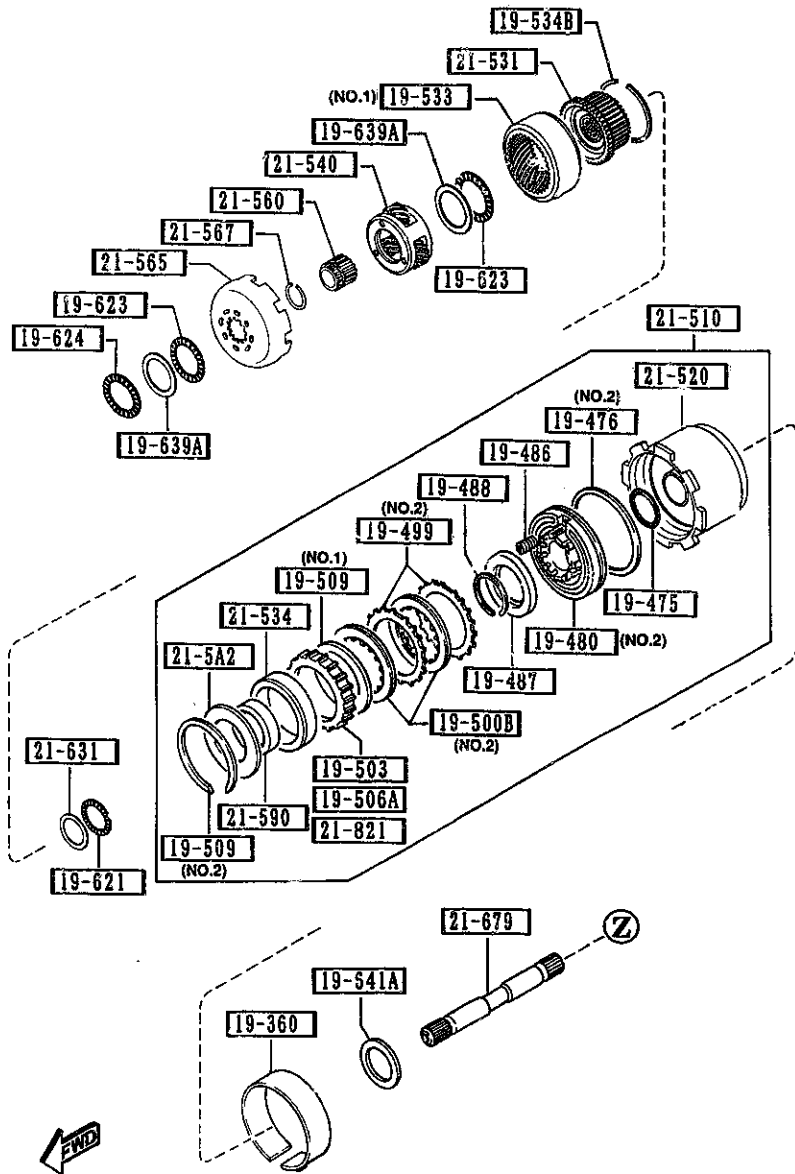
PART NO.	QTY	MODEL/RESTRICTION	MODEL/RESTRICTION	MODEL/RESTRICTION	FROM-TO
19-510		CLUTCH, REAR			
BV01-19-510A	1				
19-511		DRUM, REAR CLUTCH			
1758-19-511A	1				
19-530		HUB, REAR CLUTCH			
BV04-19-530	1				
19-531		HUB, REAR CLUTCH			
BV04-19-531	1				
19-533		GEAR, INTERNAL			
BV01-19-533	1 (ILLUST. NO. 1)				
BV04-19-533	1 (ILLUST. NO. 2)				
19-534		RING, SNAP			
0338-19-534	1				
19-534B		RING, SNAP			
BU03-19-534	1				
19-540		CARRIER, FRONT			
BV01-19-540A	1				
19-560		GEAR, SUN			
BV04-19-560	1				
19-565		SHELL, CONNECTING			
BV04-19-565	1				
19-566		RACE, SHELL BEARING			
BV04-19-566	1				
19-567		RING, SNAP			
BU02-19-567	1				
19-570		CARRIER, REAR			
BV01-19-570A	1				

1930 CLUTCHES & PLANETARY GEARS (AUTOMATIC) (2/2)
 (THIS ILLUSTRATION CONSISTS OF 2 PAGES)



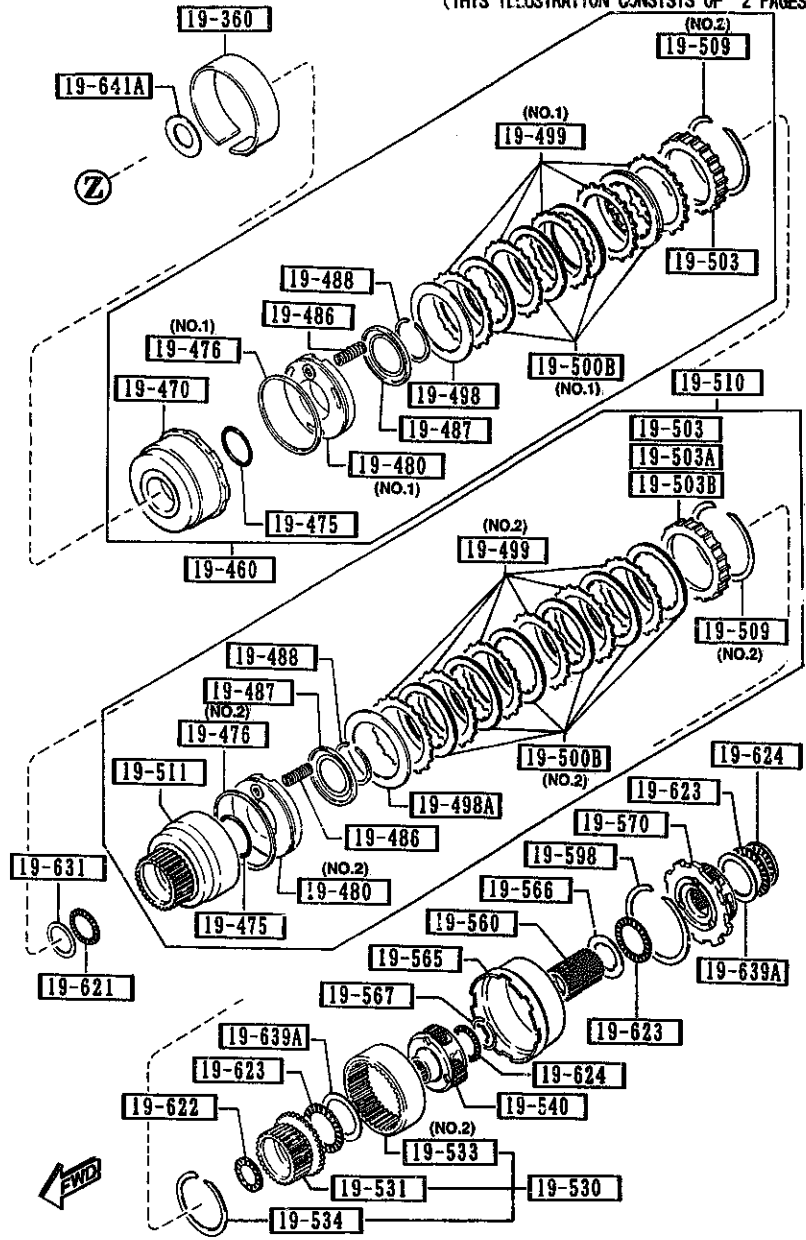
PART NO.	QTY	MODEL/RESTRICTION	MODEL/RESTRICTION	MODEL/RESTRICTION	FROM-TO
19-598		RING, SNAP			
0338-19-598	1				
19-621		BEARING, NEEDLE			
0338-19-621	2				
19-622		BEARING, NEEDLE			
FT01-19-622	1	D=33.8MM			
19-623		BEARING, NEEDLE			
0338-19-623A	5				
19-624		BEARING, NEEDLE			
0338-19-624	3				
19-631		RACE, BRG. PUMP COVER			
0338-19-631	1	T=1.2MM			
0338-19-632	1	T=1.6MM			
0338-19-633	1	T=1.6MM			
0338-19-634	1	T=1.8MM			
0338-19-635	1	T=2MM			
0338-19-636	1	T=2.2MM			
19-639A		RACE, BEARING			
0338-19-639	4				
19-641A		WASHER			
0338-19-641	2	T=1.9MM			
0338-19-642	2	T=2.1MM			
0338-19-643	2	T=2.3MM			
0338-19-644	2	T=2.5MM			
0338-19-645	2	T=2.7MM			

(THIS ILLUSTRATION CONSISTS OF 2 PAGES)



PART NO.	QTY	MODEL/RESTRICTION	MODEL/RESTRICTION	MODEL/RESTRICTION	FROM-TO
CONT'D					
0338-19-646	2	T=1.5MM			
0338-19-647	2	T=1.7MM			
0338-19-648	2	T=1.3MM			
21-5A2		RACE, SIDE-ONE WAY CLUTCH			
BV01-21-5A2	1	T=0.6MM			
BV01-21-5A3	1	T=0.8MM			
BV01-21-5A4	1	T=1MM			
BV01-21-5A5	1	T=1.2MM			
BV01-21-535	1	T=0.4MM			
21-510		CLUTCH, DIRECT			
BU55-21-510	1				
21-520		DRUM, DIRECT			
BU55-21-5A0	1				
21-531		HUB, D/DRIVE CLUTCH			
BV01-21-536	1				
21-534		RACE, OUTER-ONE WAY CLUTCH			
BV01-21-534	1				
21-540		CARRIER, OVER DRIVE			
BU03-21-540	1				
21-560		GEAR, OVER DRIVE			
BU03-21-560	1				
21-565		CONNECTING, SHELL			
BU03-21-565	1				
21-567		RING, SNAP			
BU03-21-567	1				

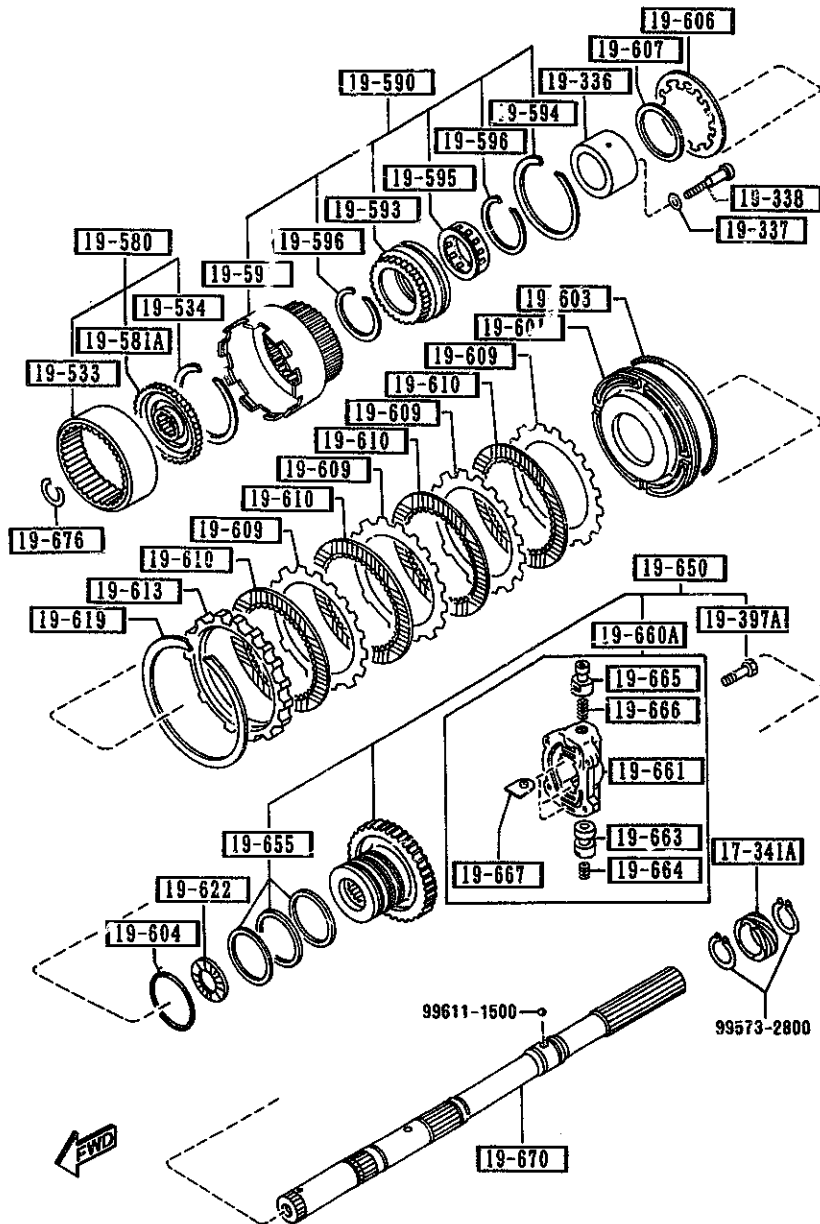
1930 CLUTCHES & PLANETARY GEARS (AUTOMATIC) (2/2)
 (THIS ILLUSTRATION CONSISTS OF 2 PAGES)



PART NO.	QTY	MODEL/RESTRICTION	MODEL/RESTRICTION	MODEL/RESTRICTION	FROM-TO
21-590		CLUTCH, ONE WAY			
BV01-21-533	1				
21-631		RACE, BRG. HUB CLUTCH			
BU01-21-631	1	L=1.2MM			
BU01-21-632	1	L=1.4MM			
BU01-21-633	1	L=2.0MM			
BU01-21-634	1	L=1.8MM			
BU01-21-635	1	L=2MM			
BU01-21-636	1	L=2.2MM			
21-679		SHAFT, INTERMEDIATE			
BU01-21-679	1				
21-821		PLATE, RETAINING			
BV01-21-821A	1				

1940 GOVERNOR, LOW & REVERSE PISTON (AUTOMATIC)

1940 -1 GOVERNOR, LOW & REVERSE PISTON (AUTOMATIC)



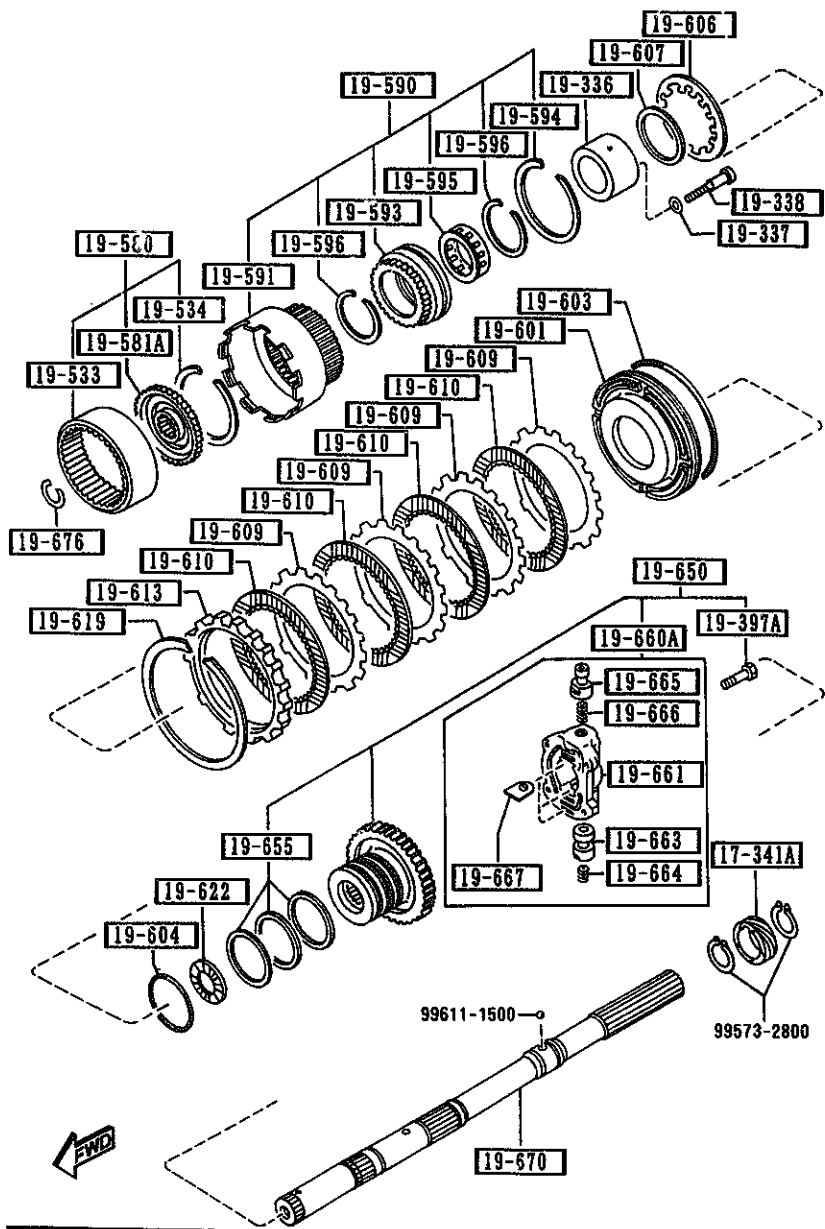
PART NO.	QTY	MODEL/RESTRICTION	MODEL/RESTRICTION	MODEL/RESTRICTION	FROM-TO
17-341A		GEAR, SPEED DRIVE			
1281-17-341	1				
19-336		RACE, INNER			
0338-19-336	1				
19-337		WASHER, PLAIN			
0338-19-337	8				
19-338		BOLT			
0338-19-338	8				
19-397A		BOLT			
0338-19-397	4				
19-533		GEAR, INTERNAL			
BV04-19-533	1				
19-534		RING, SNAP			
0338-19-534	1				
19-580		FLANGE			
BV01-19-580	1				
19-581A		HUB, DRIVE			
BV04-19-581	1				
19-590		DRUM, CONNECTING			
0338-19-590	1				
19-591		DRUM, CONNECTING			
0338-19-591	1				
19-593		RACE, OUTER			
0338-19-593	1				
19-594		RING, SNAP			
0338-19-594	1				
19-595		CLUTCH, ONE WAY			
0338-19-595	1				

AUNA03

CAT. AUNA03-04

1994-10

1940 GOVERNOR, LOW & REVERSE PISTON (AUTOMATIC)



PART NO.	QTY	MODEL/RESTRICTION	MODEL/RESTRICTION	MODEL/RESTRICTION	FROM-TO
19-596		RING, SNAP			
0338-19-596	2				
19-601		PISTON, LOW & REVERSE			
BT08-19-600	1				
19-603		SEAL, PISTON			
0338-19-603	1				
19-604		SEAL, 'O'RING			
0338-19-604	1				
19-606		SPRING, PISTON			
0338-19-606	1				
19-607		RING, SNAP			
0338-19-607	1				
19-609		PLATE, DRIVEN			
0338-19-609	4				
19-610		PLATE, DRIVEN			
8U17-19-610	4				
19-613		PLATE, RETAINING			
1758-19-613	1	T=7.8MM			
1758-19-614	1	T=8MM			
1758-19-615	1	T=8.2MM			
1758-19-616	1	T=8.4MM			
1758-19-617	1	T=8.6MM			
1758-19-618	1	T=8.8MM			
19-619		RING, SNAP			
0338-19-619	1				
19-622		BEARING, NEEDLE			

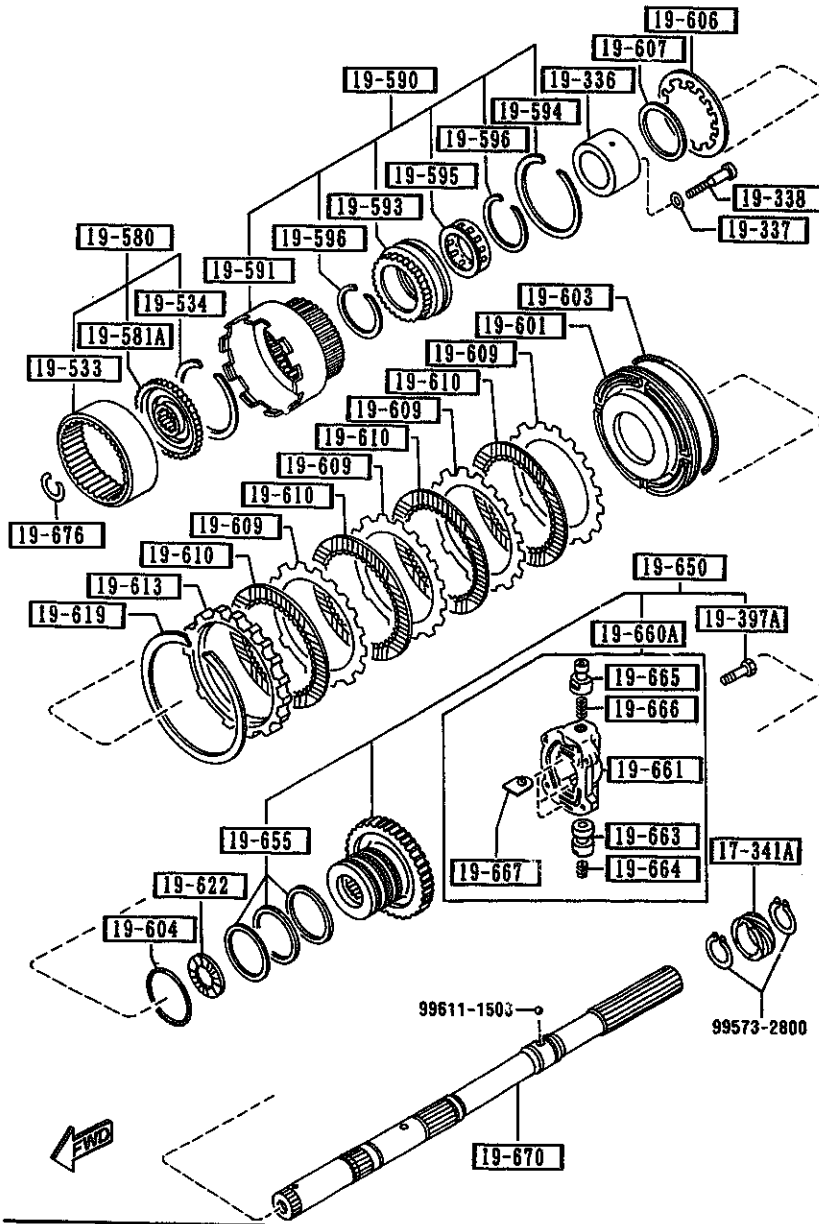
AUNA03

CAT. AUNA03-04

1994-10

1940 GOVERNOR, LOW & REVERSE PISTON (AUTOMATIC)

1940 -3 * GOVERNOR, LOW & REVERSE PISTON (AUTOMATIC)



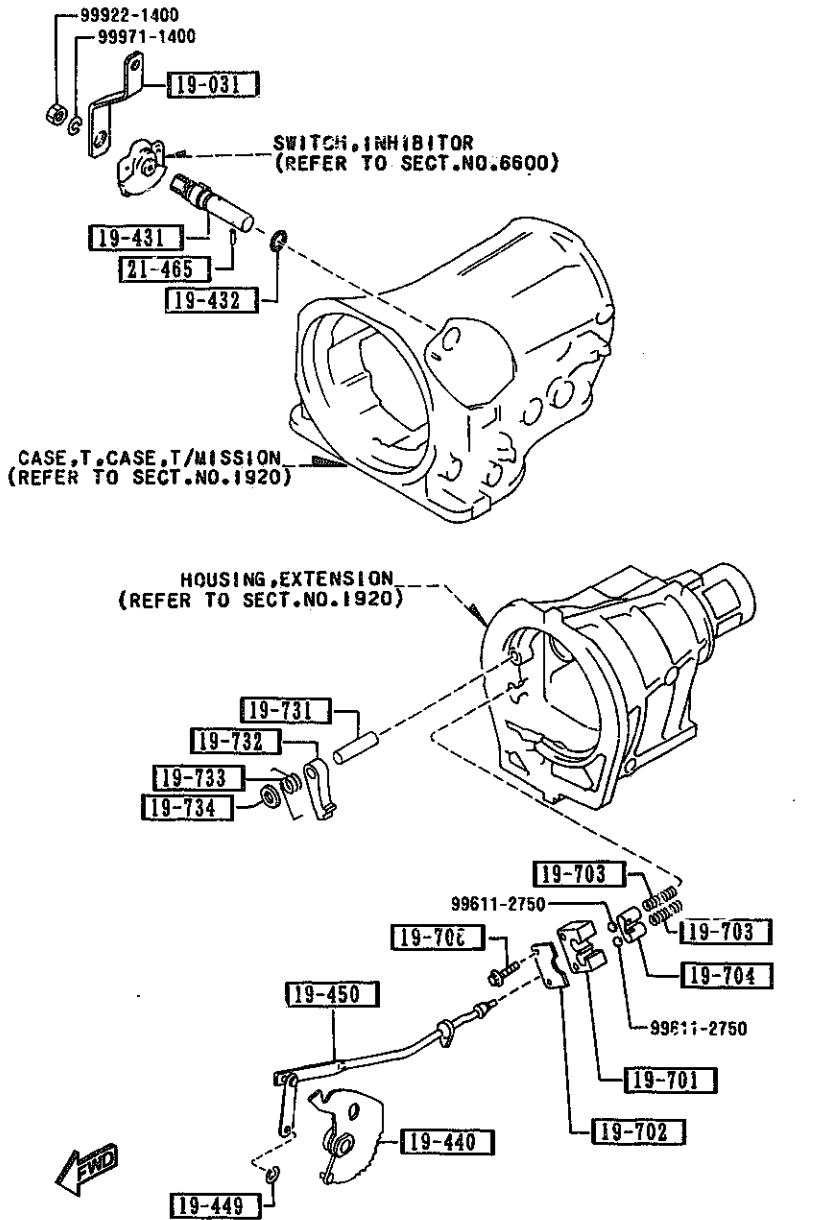
PART NO.	QTY	MODEL/RESTRICTION	MODEL/RESTRICTION	MODEL/RESTRICTION	FROM-TO
CONT'D FT01-19-622		D=33.8MM			
19-650	1	DISTRIBUTOR, OIL			
BU55-19-650	1				
19-655	1	RING, SEAL			
0338-19-655	3				
19-660A	1	VALVE, GOVERNOR			
BU55-19-660	1				
19-661	1	BODY			
BU55-19-661	1				
19-663	1	VALVE			
0338-19-663	1				
19-664	1	SPRING			
0338-19-664	1				
19-665	1	VALVE			
BU55-19-665	1				
19-666	1	SPRING, GOVERNOR			
BU55-19-666	1				
19-667	3	PLATE, RETAINER			
0338-19-667	3				
19-670	1	SHAFT			
BU55-19-670	1				
19-676	1	RING			
0338-19-676	1				

AUNA03

CAT. AUNA03-04

1994-10

1950 MANUAL LINKAGE SYSTEM (AUTOMATIC)



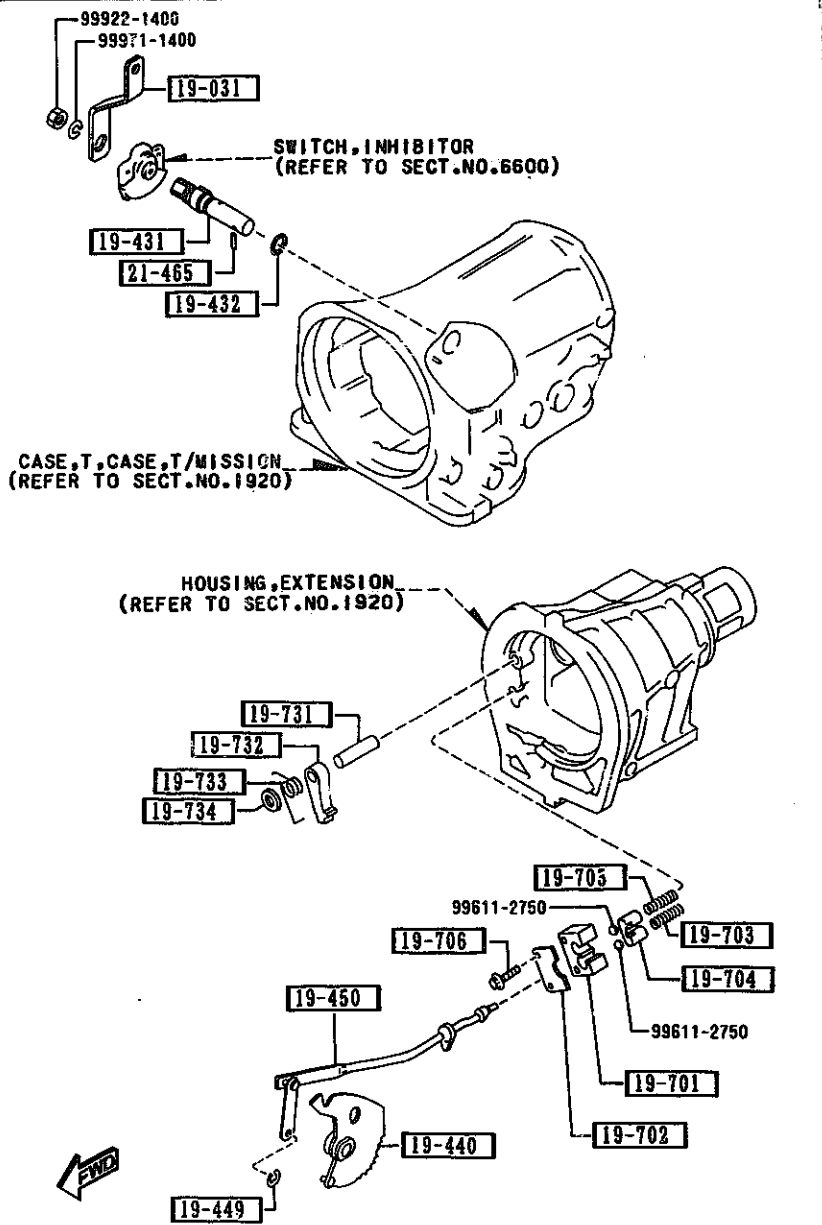
PART NO.	QTY	MODEL/RESTRICTION	MODEL/RESTRICTION	MODEL/RESTRICTION	FROM-TO
19-031		LEVER, SELECT			
BU55-19-031	1				
19-431		SHAFT, MANUAL			
BU67-19-431	1				
19-432		RING, 'O'			
0338-19-432	1				
19-440		PLATE, MANUAL			
BU36-19-440	1				
19-449		RING, SNAP			
0338-19-449	1				
19-450		ROD, PARKING			
BU17-19-450	1				
19-701		SUPPORTER, ACTUATOR			
BU17-19-701	1				
19-702		PLATE, RETAINING			
0338-19-702A	1				
19-703		SPRING, BALL PARK			
BU17-19-703	2				
19-704		RETAINER			
BU17-19-704	1				
19-706		BOLT			
0338-19-706	1				
19-731		SHAFT, PARKING PAWL			
0338-19-731	1				
19-732		PAWL, PARKING			
BU17-19-732	1				
19-733		SPRING, PAWL RETURN			
0338-19-733C	1				

AUNA03

CAT. AUNA03-04

1994-10

1950 MANUAL LINKAGE SYSTEM (AUTOMATIC)



PART NO.	QTY	MODEL/RESTRICTION	MODEL/RESTRICTION	MODEL/RESTRICTION	FROM-TO
19-734		SPACER, DOWEL			
0338-19-734A	1				
21-465		PIN, SPRING-PARKING R OD			
BU67-21-465	1				

AUNA03

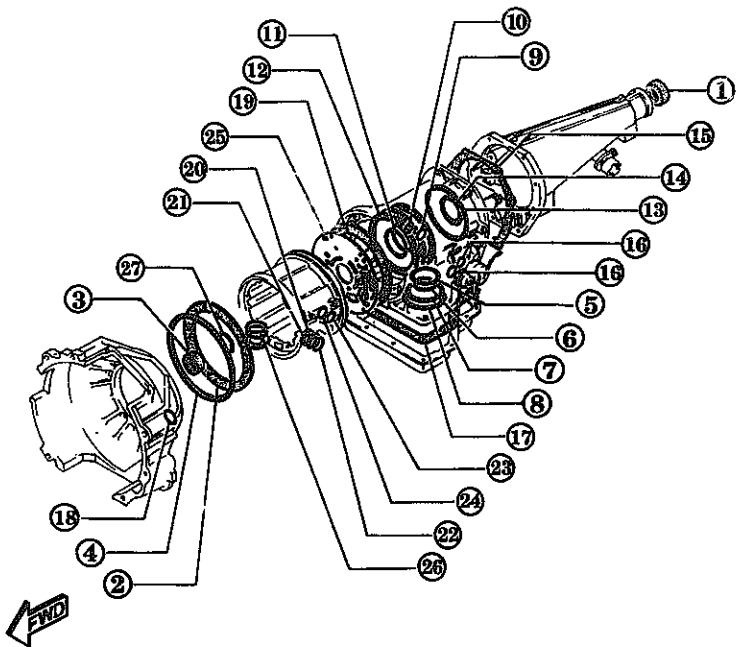
CAT. AUNA03-04

1994-10

1960 GASKET & SEAL KIT (AUTOMATIC)

22-900

- 1-SEAL, OIL..... (1)
- 2-GASKET, OIL PUMP..... (1)
- 3-SEAL, OIL..... (1)
- 4-SEAL, CUT RING..... (2)
- 5-SEAL, PISTON..... (1)
- 6-SEAL, LATHE CUT..... (1)
- 8-RING, O'..... (1)
- 9-RING, O'..... (1)
- 10-RING, O'..... (1)
- 11-SEAL, O' RING..... (3)
- 12-SEAL, LATHE CUT..... (3)
- 13-SEAL, PISTON..... (1)
- 14-SEAL, O' RING..... (1)
- 15-GASKET, EXTENTION..... (1)
- 16-SEAL, O' RING..... (2)
- 17-GASKET, OIL PAN..... (1)
- 18-RING, O'..... (1)
- 19-GASKET, DRUM SUPPORT..... (1)
- 20-SEAL, O' RING..... (1)
- 21-RING, O'..... (1)
- 22-RING, O'..... (1)
- 23-RING, O'..... (1)
- 24-RING, O'..... (1)
- 25-GASKET, O/DRIVE CASE..... (1)
- 26-RING, O'..... (1)
- 27-RING, O'..... (1)



AUNA03

PART NO.	QTY	MODEL/RESTRICTION	MODEL/RESTRICTION	MODEL/RESTRICTION	FROM-TO
22-900		GASKET & SEAL KIT			
BU01-99-190A		ASBESTOS			-2C07
A (BU74-22-900)	1				2C07-
BU74-22-900	1				
2C07 NA351K-407852					

CAT. AUNA03-04

1994-10